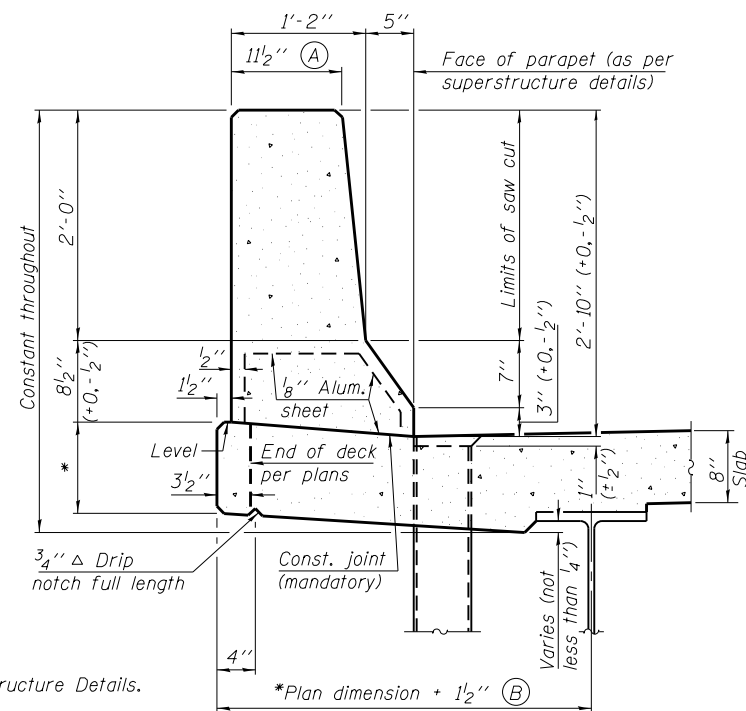
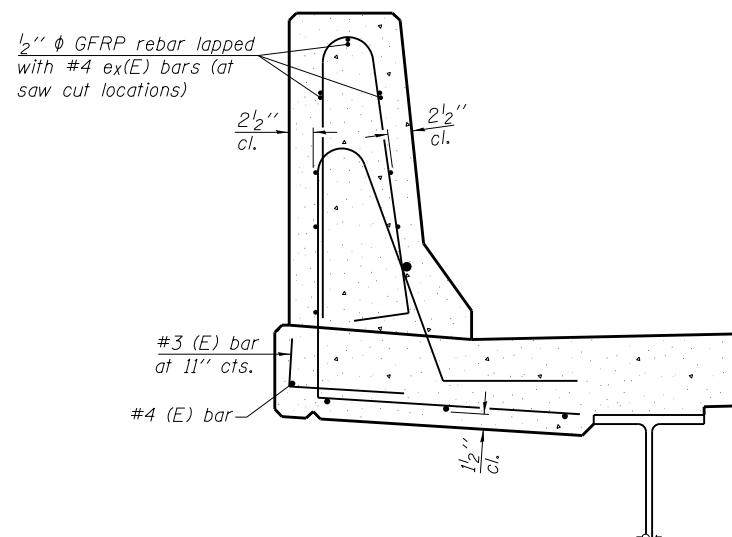


GENERAL NOTES

All dimensions shall remain the same as shown on superstructure details, except dimensions A and B which are to be revised as shown to provide additional clearance. Additional concrete needed to revise dimension A and B = 0.0165 cu. yds./ft. for 34" parapet or = 0.0223 cu. yds./ft. for 42" parapet. Place aluminum sheet in curb portion at and near piers. Full thickness saw cut at all joint locations in lieu of cork joint filler. Steel superstructure shown. Other superstructure types similar.

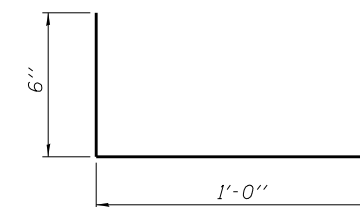


34" F SHAPE PARAPET SECTION
(Showing dimensions)

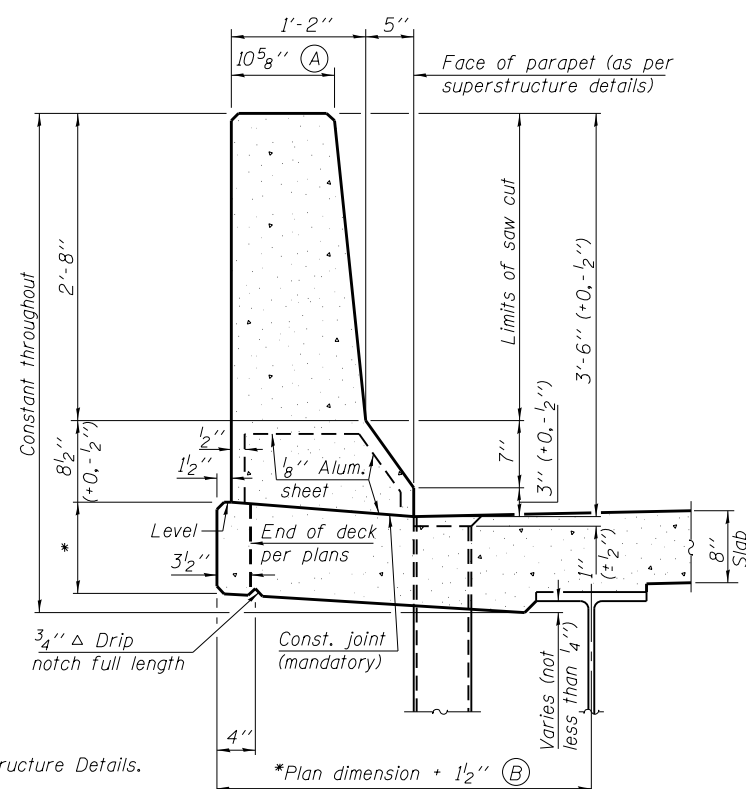


SECTION

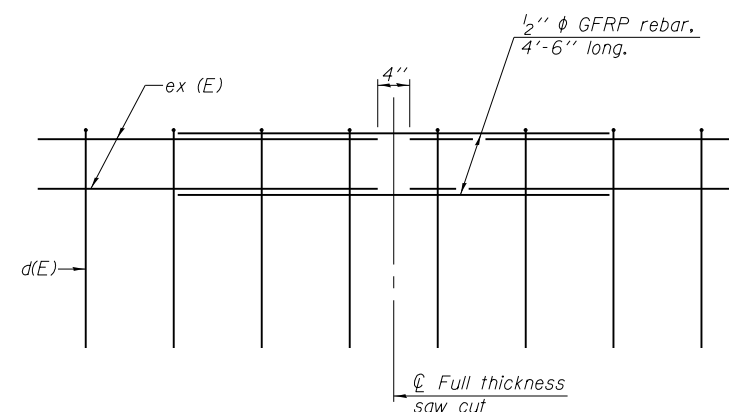
(34" parapet shown - 42" parapet similar)
(Showing reinforcement clearances for slip forming and additional reinforcement bars)



#3 (E) BAR

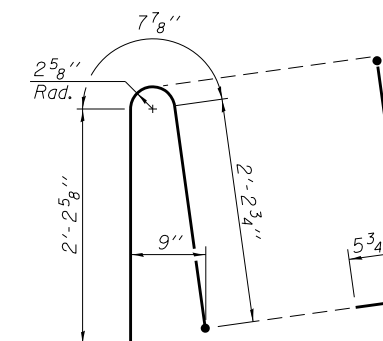


42" F SHAPE PARAPET SECTION
(Showing dimensions)

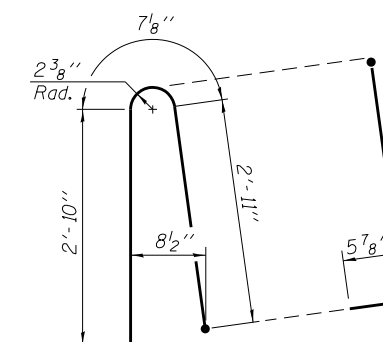


GFRP REBAR STIFFENING DETAIL

(Place as shown in parapet section at each parapet joint location.)



ALTERNATE BAR d(E)
(For 34" parapet when conduit is present)



ALTERNATE BAR d(E)
(For 42" parapet when conduit is present)

SFP 34-42

8-16-12

COLLINS ENGINEERS
123 North Wacker Drive
Suite 300
Chicago, IL 60606
(312) 704-9300
www.collinsengr.com
ILLINOIS PROFESSIONAL DESIGN FIRM LICENSE NO. 184-00993

USER NAME =	DESIGNED - AMS	REVISED -
	CHECKED - JMS	REVISED -
PLOT SCALE =	DRAWN - DR	REVISED -
PLOT DATE =	CHECKED - AMS	REVISED -

**STATE OF ILLINOIS
DEPARTMENT OF TRANSPORTATION**

**CONCRETE PARAPET SLIPFORMING OPTION
STRUCTURE NO. 049-0087**

SHEET NO. S11 OF S24 SHEETS

F.A.U. RTE.	SECTION	COUNTY	TOTAL SHEETS	SHEET NO.
2706	125HB-BR	LAKE	51	28
CONTRACT NO. 60R61				
ILLINOIS FED. AID PROJECT				