

Notes:

All cast iron parts shall be gray iron conforming to the requirements of AASHTO M 105, Class 35B.

Bolts, anchor studs, washers and nuts shall conform to the requirements of ASTM A 307 and shall be galvanized according to AASHTO M 232.

Downspouts located on the exterior side of a painted steel fascia beam shall be painted with the finish coat specified for the exterior side of the fascia beam.

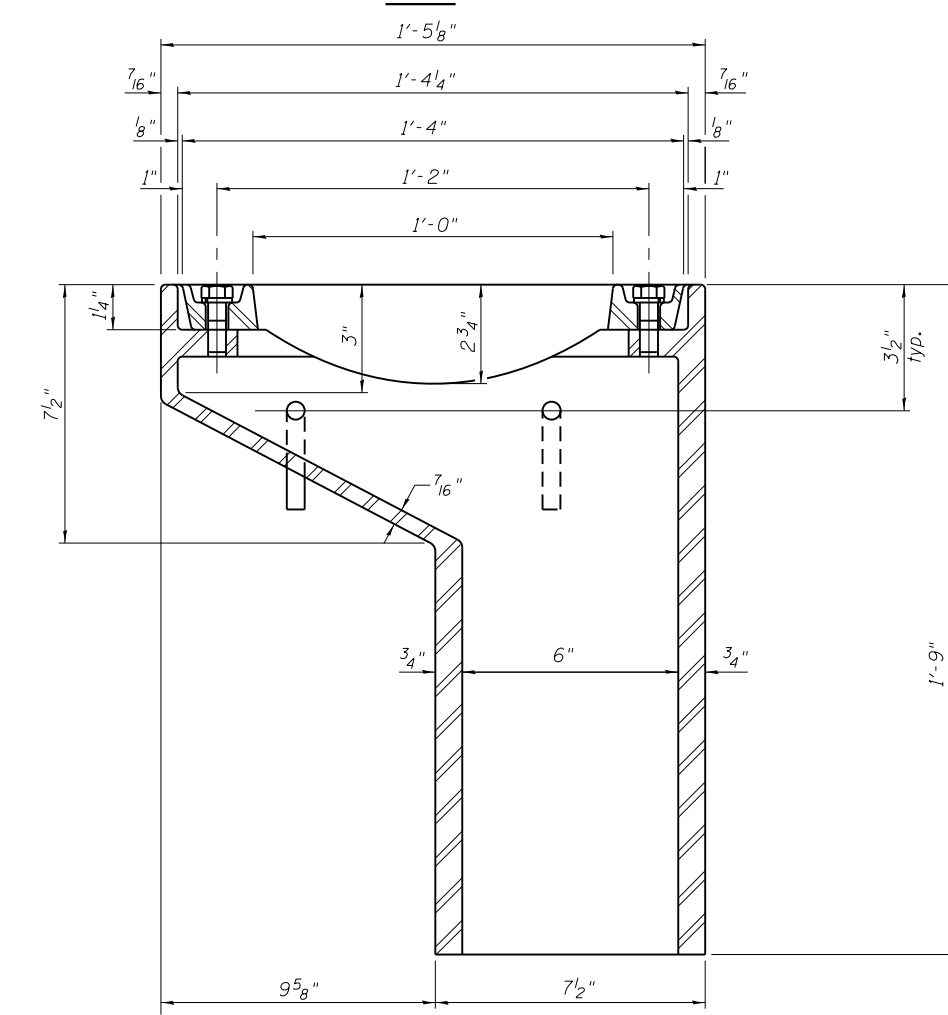
As an alternate, bolts, anchor studs, washers and nuts may be stainless steel according to Article 1006.29(d) of the Standard Specifications.

Structural steel weldments of equal sections and of the same configuration may be substituted for the cast iron scupper frame. Fillet or full penetration welds shall be used for the weldments. Details shall be submitted to the Engineer for approval. Structural steel weldments shall not be substituted for the cast iron scupper grate. Structural steel frames and downspouts shall be galvanized according to AASHTO M111.

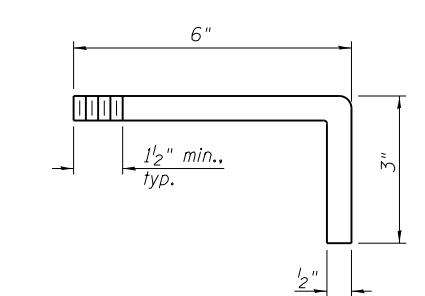
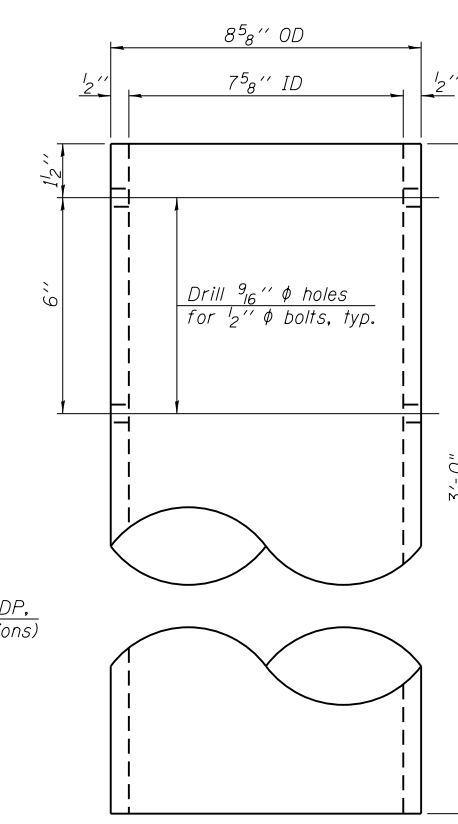
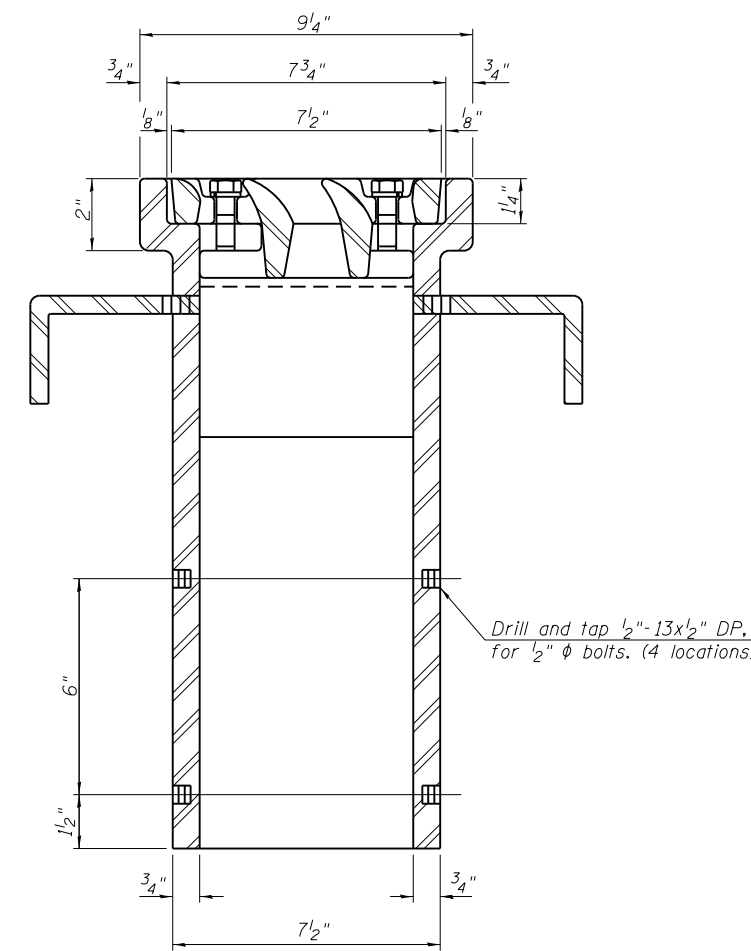
The Contractor shall take appropriate measures to assure that Protective Coat is not applied to the scupper.

Cost of the Grate, Frame, Downspout, Anchor Studs, Bolts, Washers and Nuts including complete installation of the scupper shall be paid for at the contract unit price each for Drainage Scupper, DS-11.

Alternate fiberglass downspout conforming to ASTM D 2996 with a short-time rupture strength hoop tensile stress of 30,000 psi min. may be used in lieu of the cast iron or steel equivalent.



See sheet S3 & S10 of S24 for scupper location relative to parapet.



**ANCHOR STUD DETAIL**

**BILL OF MATERIAL**

ITEM	UNIT	QUANTITY
Drainage Scupper, DS-11	Each	4

DS-11

7-1-10

**COLLINS ENGINEERS**  
 123 North Wacker Drive  
 Suite 300  
 Chicago, IL 60606  
 (312) 704-9300  
 www.collinsengr.com  
 ILLINOIS PROFESSIONAL DESIGN FIRM LICENSE NO. 184-009953

USER NAME =	DESIGNED - AMS	REVISED -
PLOT SCALE =	CHECKED - JMS	REVISED -
PLOT DATE =	DRAWN - DR	REVISED -
	CHECKED - AMS	REVISED -

**STATE OF ILLINOIS  
 DEPARTMENT OF TRANSPORTATION**

**DRAINAGE SCUPPER, DS-11  
 STRUCTURE NO. 049-0087**

SHEET NO. S14 OF S24 SHEETS

F.A.U. RE.	SECTION	COUNTY	TOTAL SHEETS	SHEET NO.
2706	125HB-BR	LAKE	51	31
CONTRACT NO. 60R61				
ILLINOIS FED. AID PROJECT				