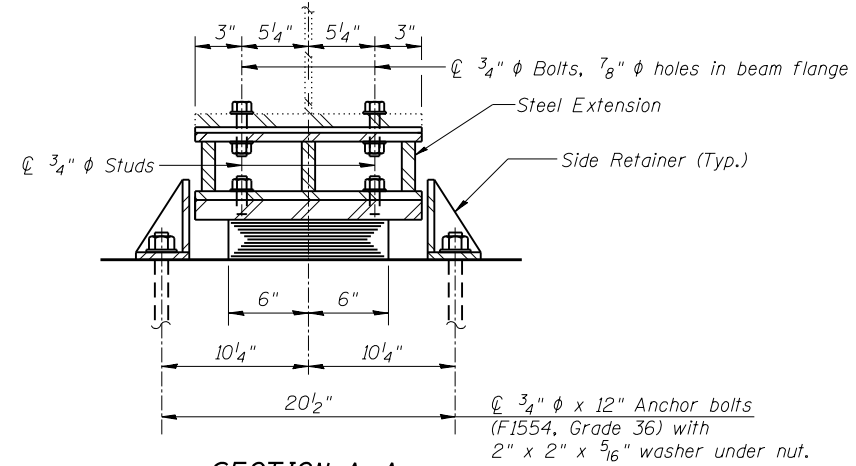
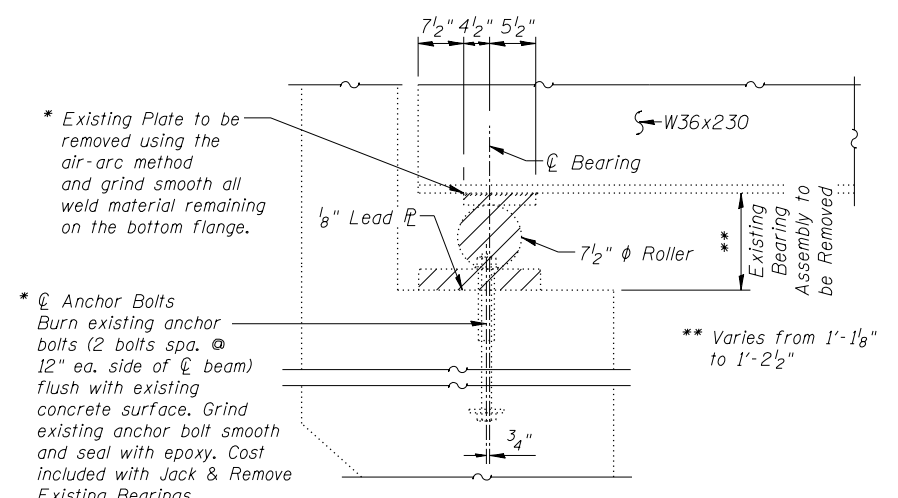


ELEVATION AT ABUT.

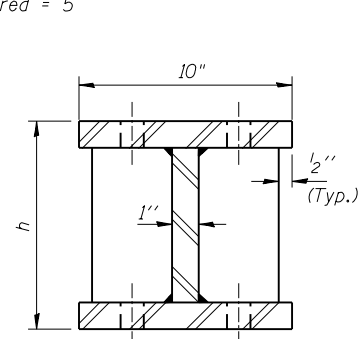


SECTION A-A

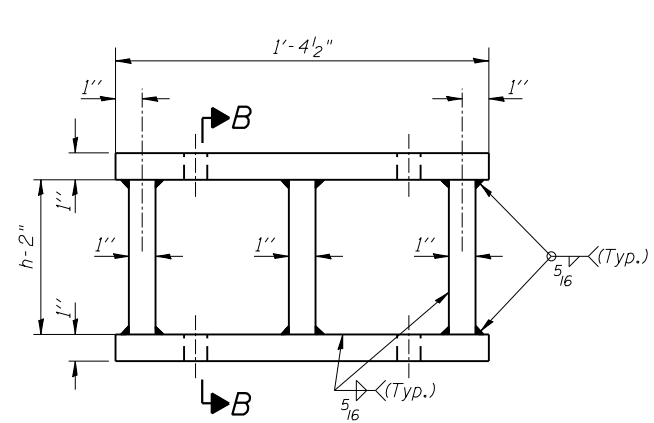


EXIST. ABUTMENT BEARINGS TO BE REMOVED

TYPE I ELASTOMERIC EXP. BRG.
No. Required = 5

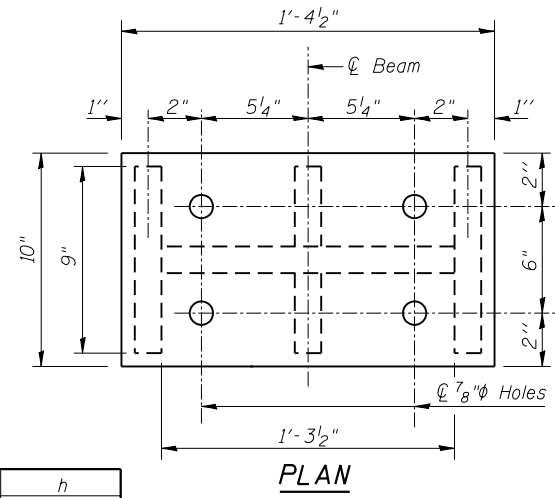


SECTION B-B



ELEVATION STEEL EXTENSION

(5 Required)
Weight included with Furnishing and Erecting Structural Steel.

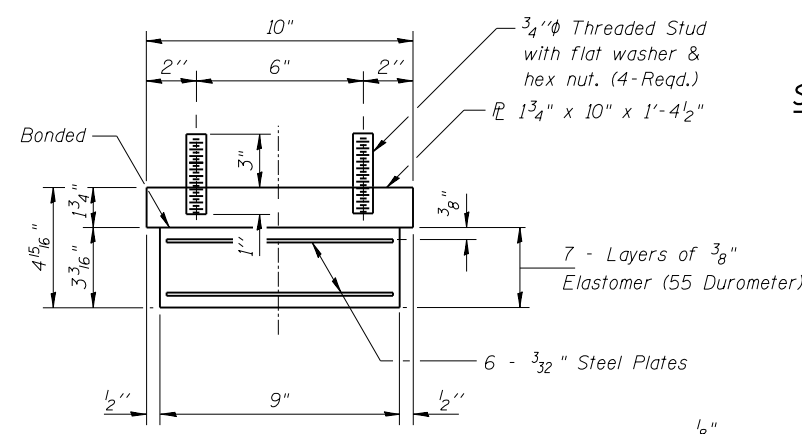


PLAN

Girder	h
5	8 ¹⁵ / ₁₆ "
4	8 ³ / ₁₆ "
3	8 ¹³ / ₁₆ "
2	9 ⁹ / ₁₆ "
1	8 ⁵ / ₁₆ "

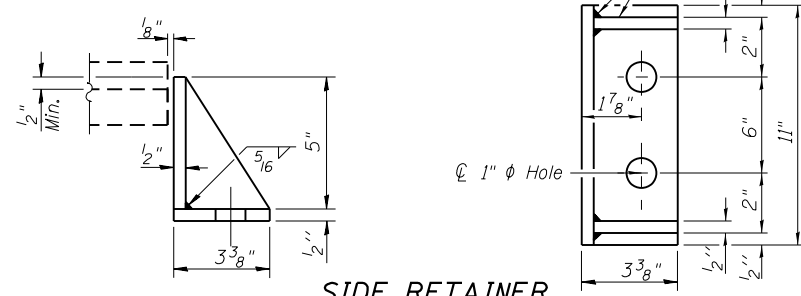
BILL OF MATERIAL

Item	Unit	Total
Elastomeric Bearing Assembly Type I	Each	5
Jack & Remove Exist. Bearings	Each	5
Anchor Bolts, 3/4"	Each	20
Furnishing and Erecting Structural Steel	Pound	870



BEARING ASSEMBLY

Note: Shim plates shall not be placed under Bearing Assembly.



SIDE RETAINER

Equivalent rolled angle with stiffeners will be allowed in lieu of welded plates.

NOTES - JACK AND REMOVE EXIST. BEARING

- The work shall be done in accordance with the special provision "Jack and Remove Existing Bearings."
- Jacking and removing existing bearings, including top and bottom plates and lead plates, shall be done after deck removal is completed and before the new deck is poured. Minimum Jack size = 10 tons. R_{Steel} = 7 kips
- The new bearings shall be in place and the jacks shall be lowered before the new deck is poured.
- Cost of field drilling holes in bottom flanges is included with Jack & Remove Exist. Bearing.

Notes:

Anchor bolts shall be ASTM F1554 all-thread (or an Engineer-approved alternate material) of the grade(s) and diameter(s) specified. ASTM A307 Grade C anchor bolts may be used in lieu of ASTM F1554 Grade 36 (F_y=36ksi). The corresponding specified grade of AASHTO M314 anchor bolts may be used in lieu of ASTM F1554.

Anchor bolts for side retainers shall be installed in holes drilled in concrete through holes inside retainers after members are in place.

Drilled and set anchor bolts shall be installed according to Article 521.06 of the Standard Specifications.

Side retainers and other steel members required for the elastomeric bearing assembly shall be included in the cost of Elastomeric Bearing Assembly, Type I.

Two 1/8 in. adjusting shims shall be provided for each bearing in addition to all other plates or shims and placed as shown on bearing details.

Weight of steel extensions is included with Furnishing and Erecting Structural Steel.

The overall depth dimension for the new bearing and steel extension shall match the total depth of the replaced existing bearing. The Contractor shall field verify existing dimensions before ordering material.