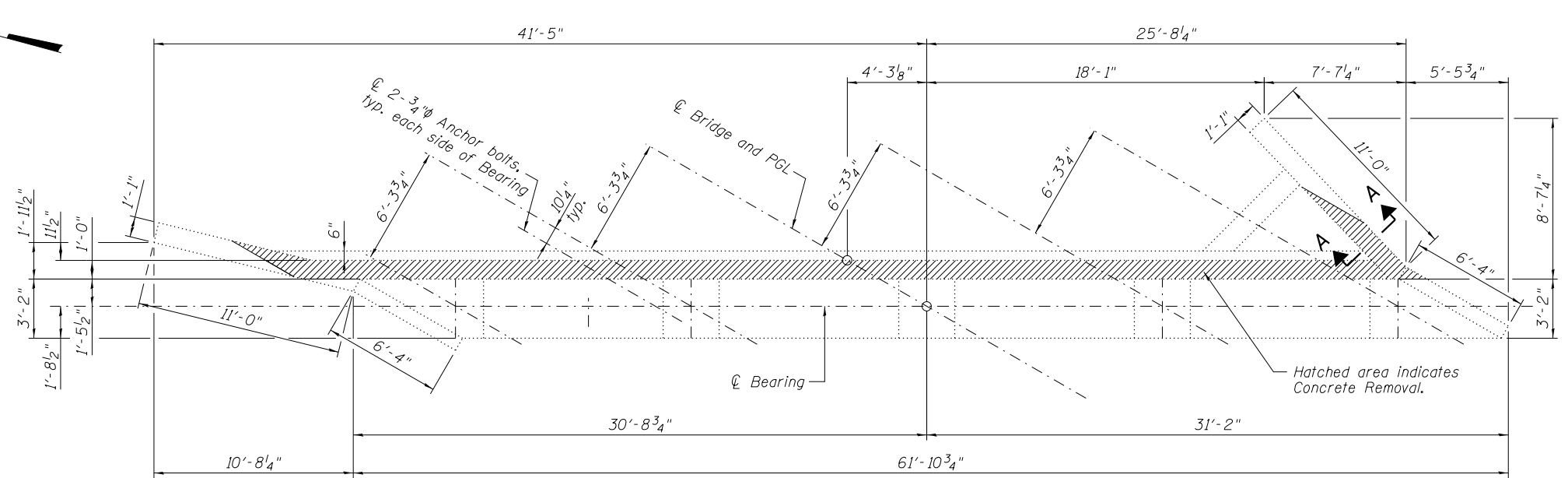


BILL OF MATERIAL

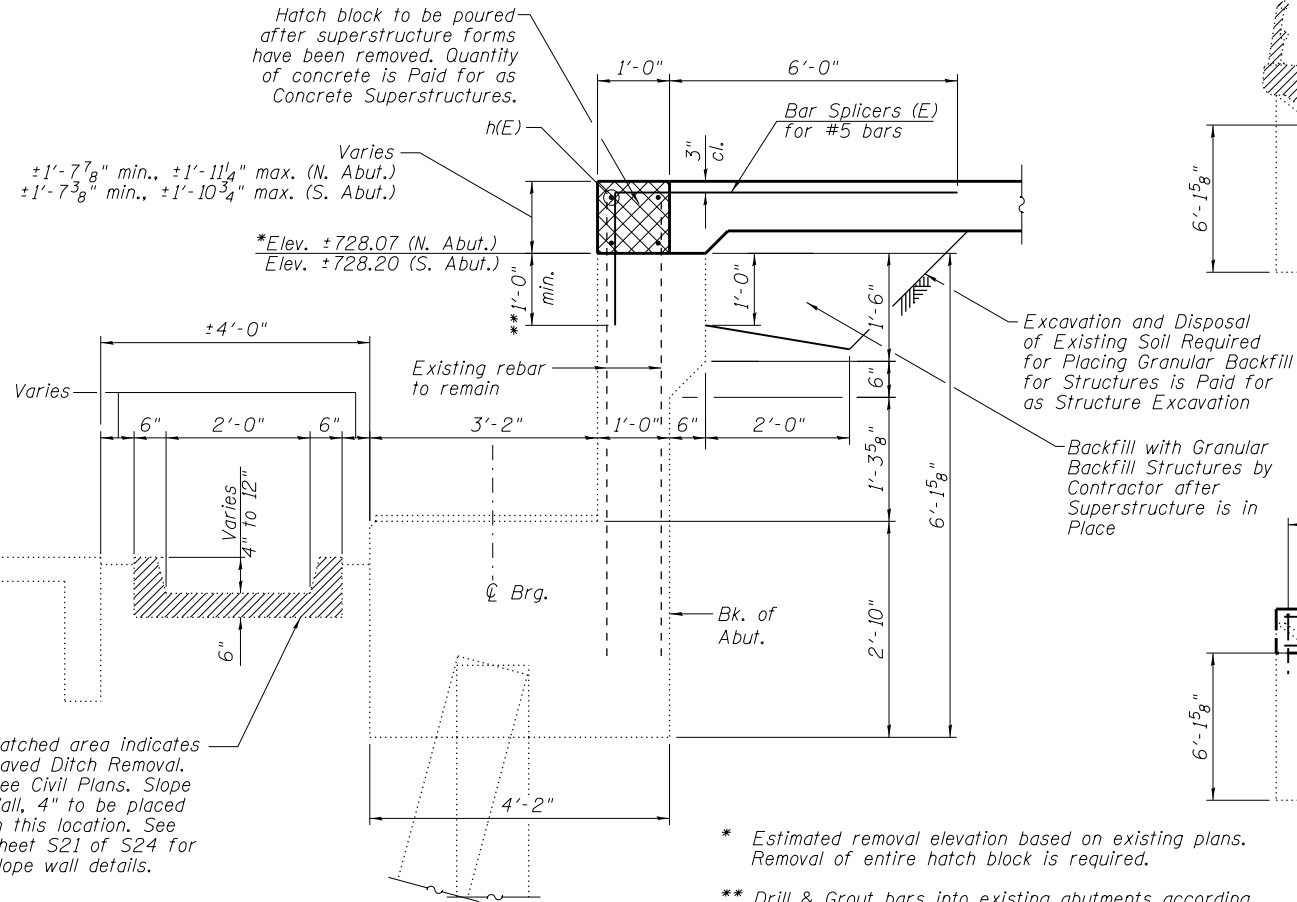
Bar	No.	Size	Length	Shape
h(E)	16	#6	33'-2"	---
Concrete Removal			Cu. Yd.	9.9
Concrete Superstructures			Cu. Yd.	8.3
Structure Excavation			Cu. Yd.	26
Granular Backfill for Structures			Cu. Yd.	20
Reinforcement Bars, Epoxy Coated			Pound	800

Notes:
 Existing reinforcement shall be cleaned and incorporated into the new construction. Cost included with Concrete Removal.
 Any reinforcement bars that are damaged during concrete removal operations shall be repaired or replaced using and approved bar splicer or anchorage system. Cost included with Concrete Removal.
 Removal and disposal of handrail included in the cost with Concrete Removal.
 See sheet S21 of S24 for Section A-A.
 See sheet S24 of S24 for bar splicer details.



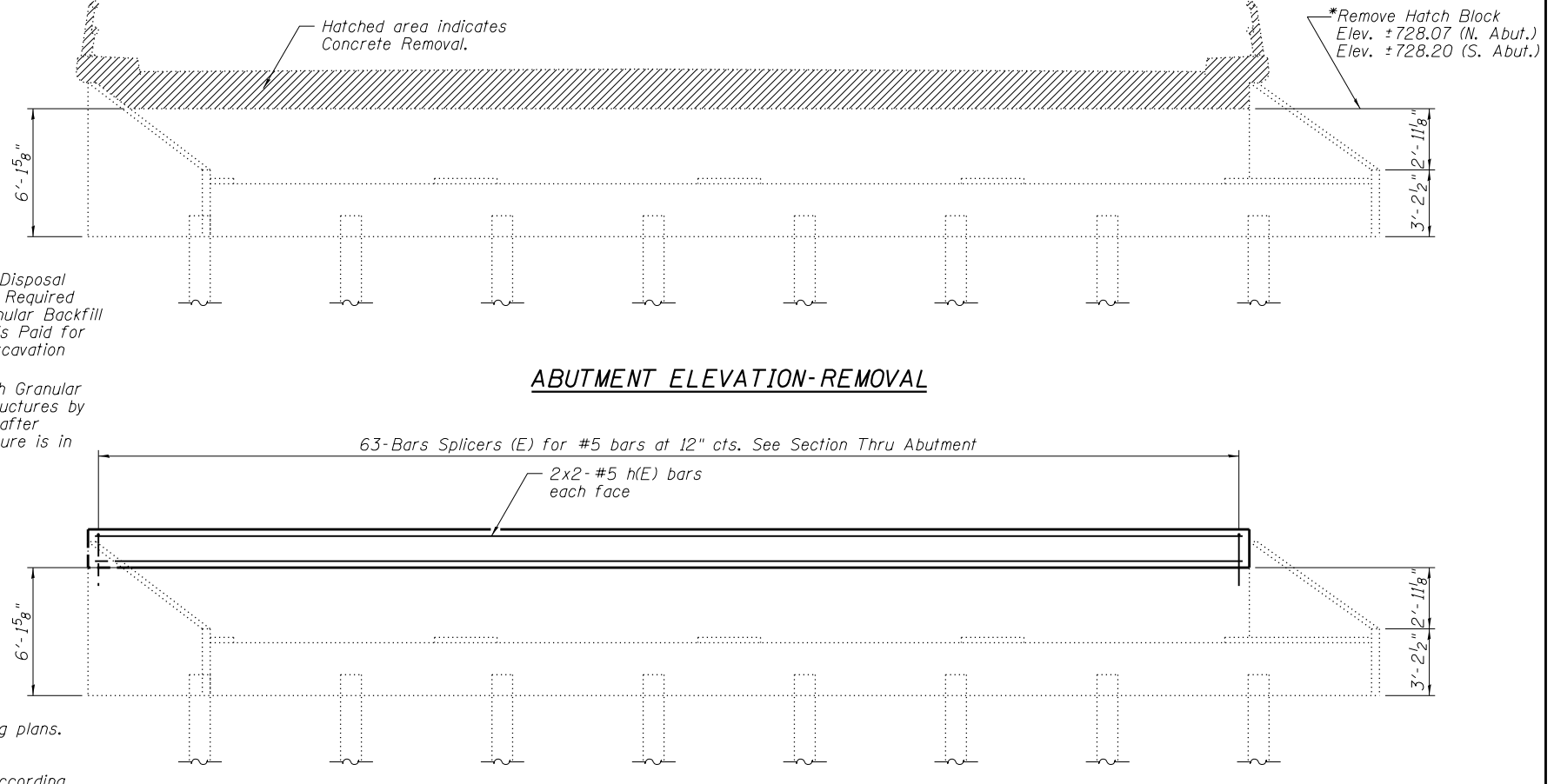
PLAN

(North Abutment shown. South Abutment similar)



SECTION THRU ABUTMENT

(Horiz. Dim. @ Rt. L's to Abutment)



ABUTMENT ELEVATION-PROPOSED