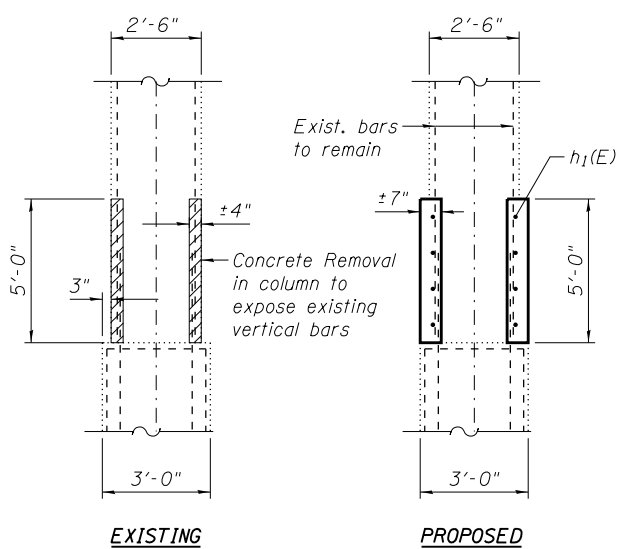
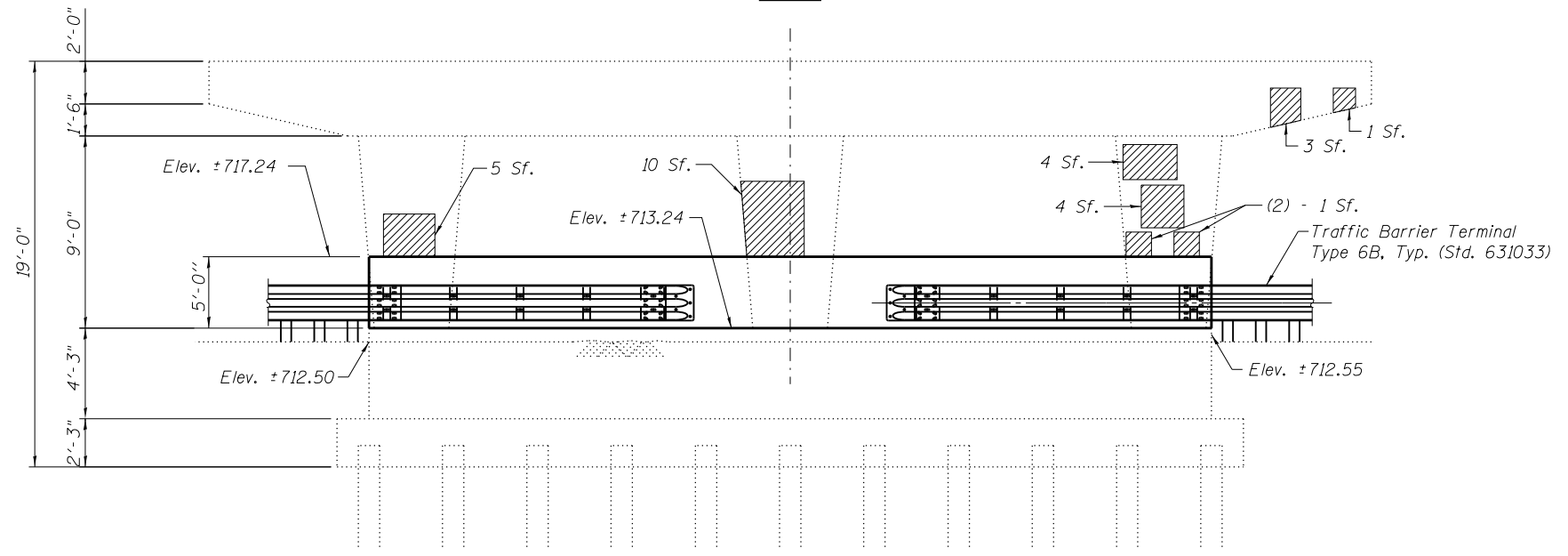


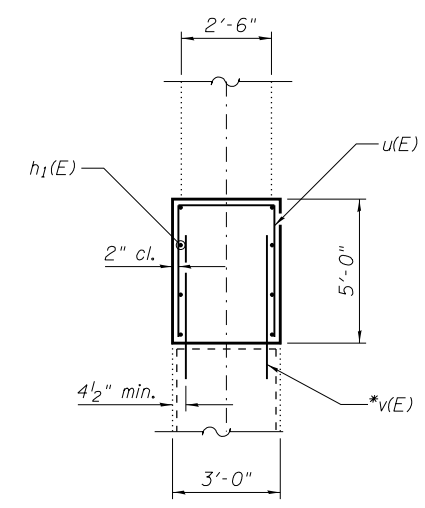
PLAN



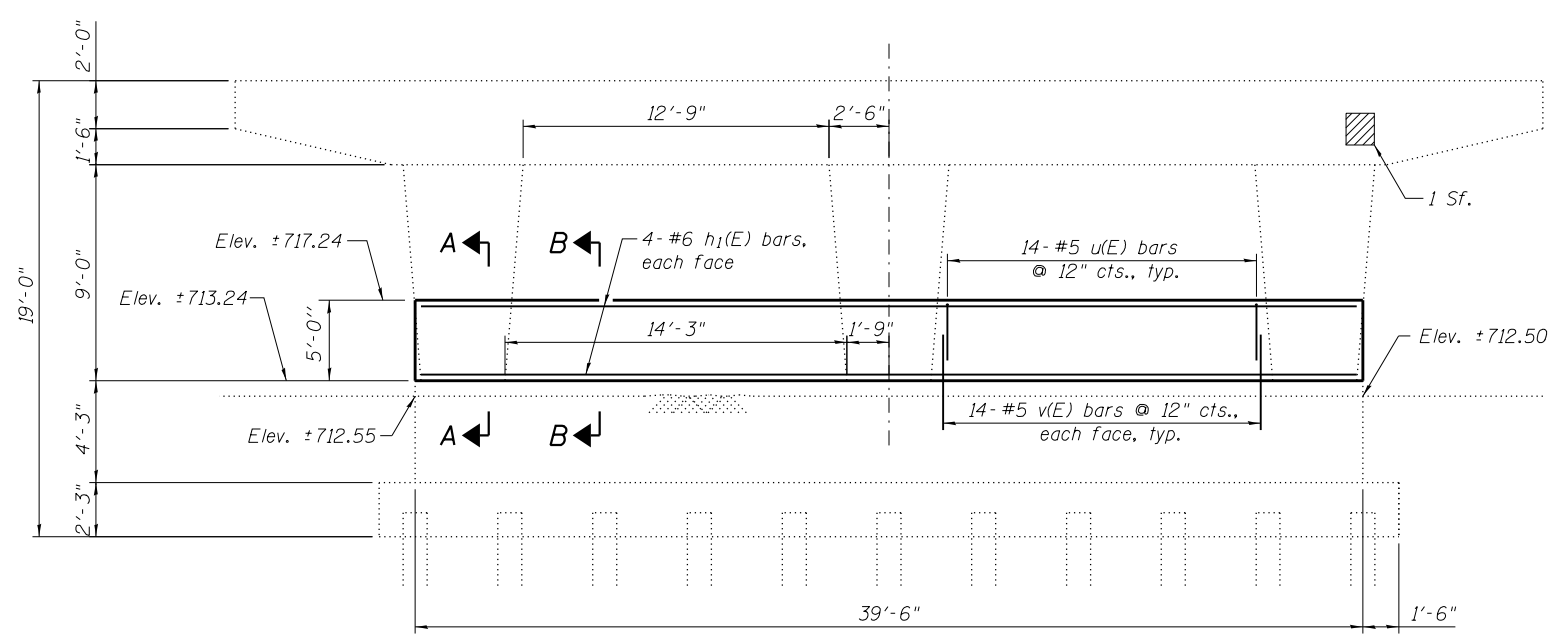
SECTION A-A



PIER 2 NORTH FACE



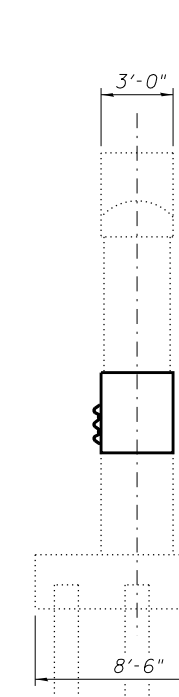
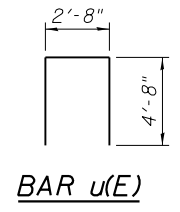
SECTION B-B



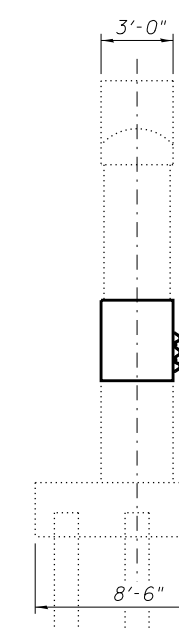
PIER 2 SOUTH FACE
(Showing Rebar)

BILL OF MATERIAL

SYMBOL	Bar	No.	Size	Length	Shape
	h ₁ (E)	8	#6	39'-2"	—
	u(E)	28	#5	12'-0"	□
	v(E)	56	#5	4'-0"	—
	Concrete Removal			Cu. Yd.	3.0
	Concrete Structures			Cu. Yd.	18.0
	Reinforcement Bars, Epoxy Coated			Pound	1,060
	Structural Repair of Concrete, equal or less than 5"			Sq. Ft.	30



PIER 2 WEST FACE



PIER 2 EAST FACE

* Drill and grout bars 9" into existing pier wall according to Article 584 of the Standard Specifications. Cost included with Reinforcement Bars, Epoxy Coated.