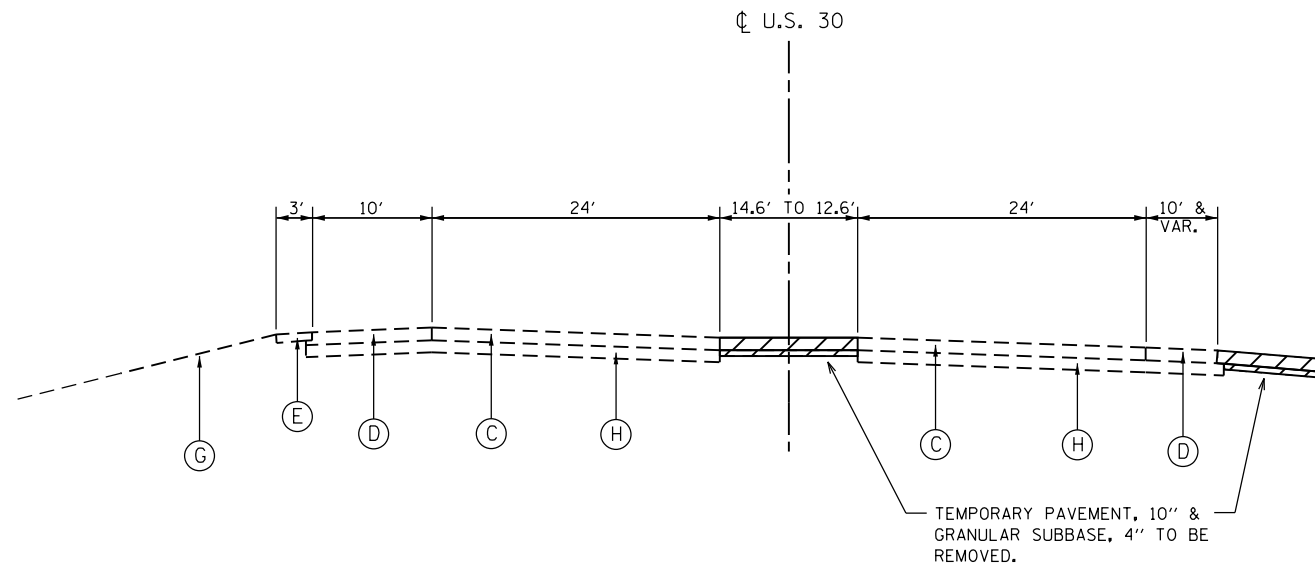


EXISTING CONDITIONS

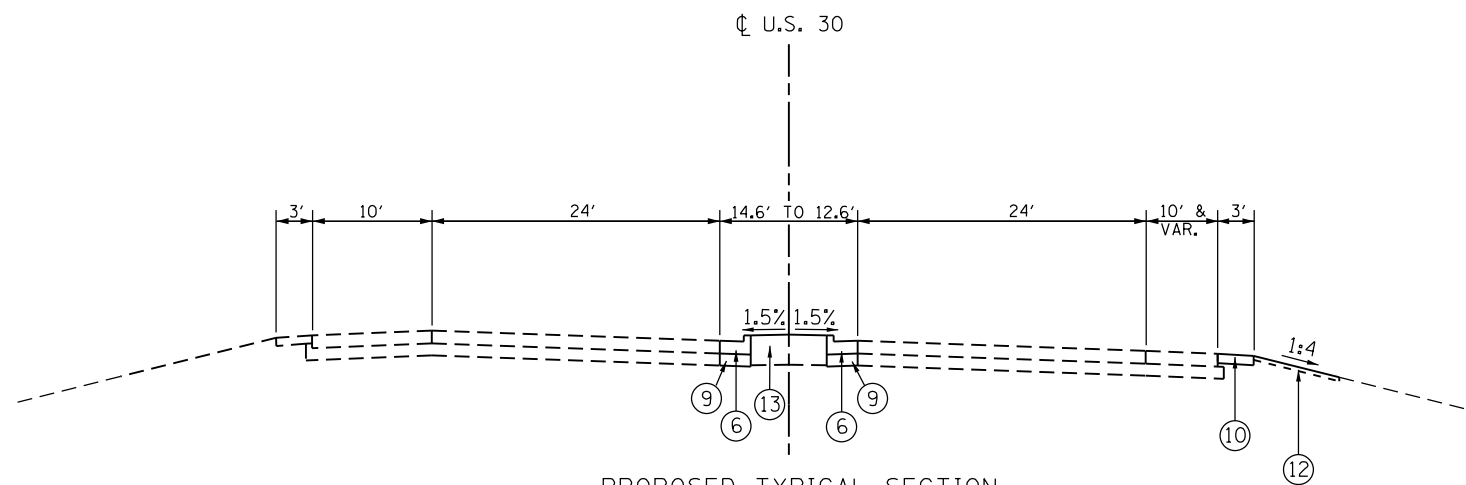
- (A) HMA SURFACE COURSE 2 1/2"-3"
- (B) PCC BASE COURSE, 10"
- (C) HMA PAVEMENT, 12 1/2 - 12 3/4"
- (D) HMA SHOULDER, 12 1/2 - 12 3/4"
- (E) AGGREGATE SHOULDER, 6"-8"
- (F) COMBINATION CONCRETE CURB & GUTTER, TYPE B-6.12
- (G) EXISTING GROUND
- (H) GRANULAR SUBBASE, THICKNESS VARIES

PROPOSED IMPROVEMENTS

- (1) (WATKINS) HMA SURFACE COURSE, MIX "D", N70: 2"
- (2) (WATKINS) LEVELING BINDER (MACHINE METHOD), N70: 3/4" & VAR.
- (3) (IL 31 & WATKINS) PAVEMENT RECONSTRUCTION CONSISTING OF:
HMA SURFACE COURSE, MIX "D", N70: 2"
HMA BASE COURSE: 10 3/4"
- (4) (IL 31) HMA SHOULDERS, 12 3/4" CONSISTING OF:
HMA SURFACE COURSE, MIX "D", N70: 2"
HMA BINDER COURSE, IL-19.0, N70: 10 3/4"
- (5) (RAMP C & D) HMA SHOULDERS, 12 1/2" CONSISTING OF:
HMA SURFACE COURSE, MIX "D", N70: 2"
HMA BINDER COURSE, IL-19.0, N70: 10 1/2"
- (6) COMBINATION CONCRETE CURB & GUTTER, TYPE B-6.24
- (7) COMBINATION CONCRETE CURB & GUTTER, TYPE B-6.12
- (8) CONCRETE MEDIAN SURFACE, 4"
- (9) AGGREGATE SUBGRADE IMPROVEMENT, 12"
- (10) AGGREGATE SHOULDER, TYPE B, 8"
- (11) STRIP REFLECTIVE CRACK CONTROL TREATMENT
- (12) TOPSOIL, FURNISH & PLACE, 4", FERTILIZER NUTRIENTS AND SEEDING OR SODDING.
SEE LANDSCAPING PLANS FOR LOCATIONS AND SEEDING TYPE.
- (13) TOPSOIL, FURNISH & PLACE, 30", FERTILIZER NUTRIENTS, SEEDING CLASS 2A
AND EROSION CONTROL BLANKET
- (14) HOT-MIX ASPHALT BASE COURSE, 10"
- (15) HOT-MIX ASPHALT BASE COURSE WIDENING, 10"



EXISTING TYPICAL SECTION
STA. 1262+40 TO STA. 1263+40



PROPOSED TYPICAL SECTION
STA. 1262+40 TO STA. 1263+40

P:\1\1052010\20103003\cadd\site\vdgn\01\Di60V53-sht-typical-us30.dgn
 5/16/2013 2:45:15 PM

USER NAME = 1654	DESIGNED - JWB	REVISED -
	DRAWN - JWB	REVISED -
PLOT SCALE = 20.0000' / in.	CHECKED - RS	REVISED -
PLOT DATE = 5/16/2013	DATE - 05/17/2013	REVISED -

STATE OF ILLINOIS
DEPARTMENT OF TRANSPORTATION

WATKINS STREET AT IL ROUTE 31
TYPICAL SECTIONS - US ROUTE 30

SCALE: N.T.S. SHEET TYP-4 OF 4 STA. ----- TO STA. -----

F.A.U. RTE.	SECTION	COUNTY	TOTAL SHEETS	SHEET NO.
3902	12R-N	KANE	92	15
CONTRACT NO. 60V53				
ILLINOIS FED. AID PROJECT				