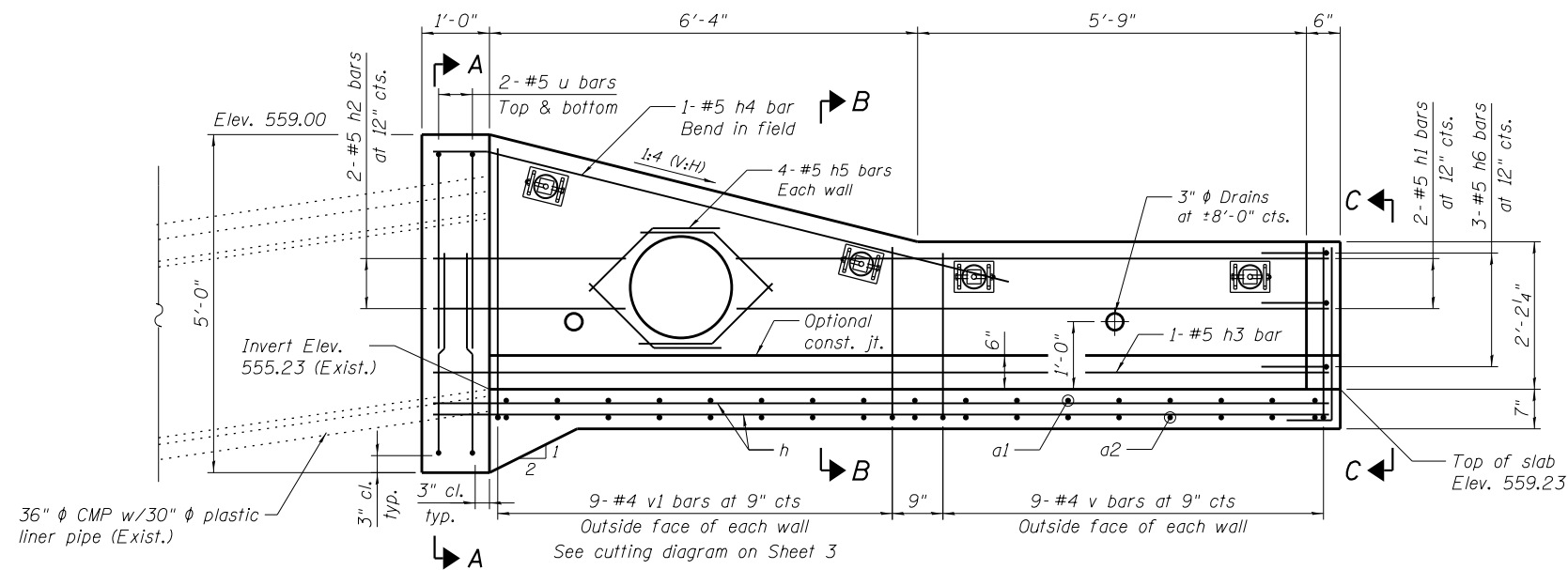
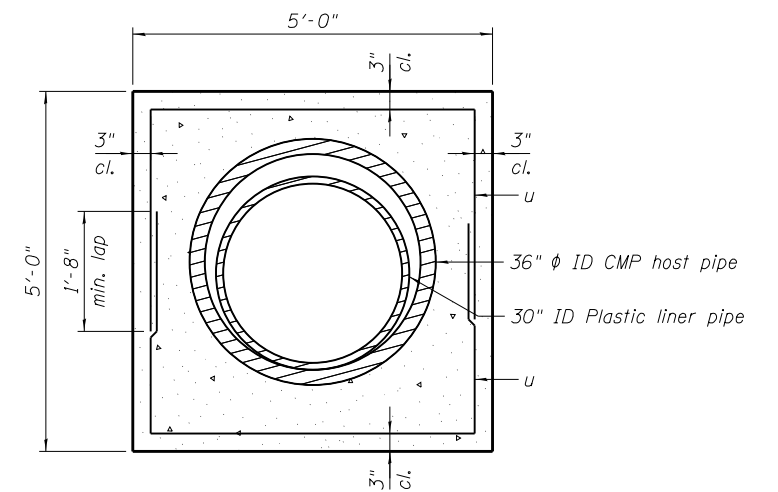


FILE NAME = W:\Projects\2010\100120 PTB 157\25\cadd\Structural\Drawings\15725\cadd\Structural\13.0320\812+19.00\DropBox.dgn

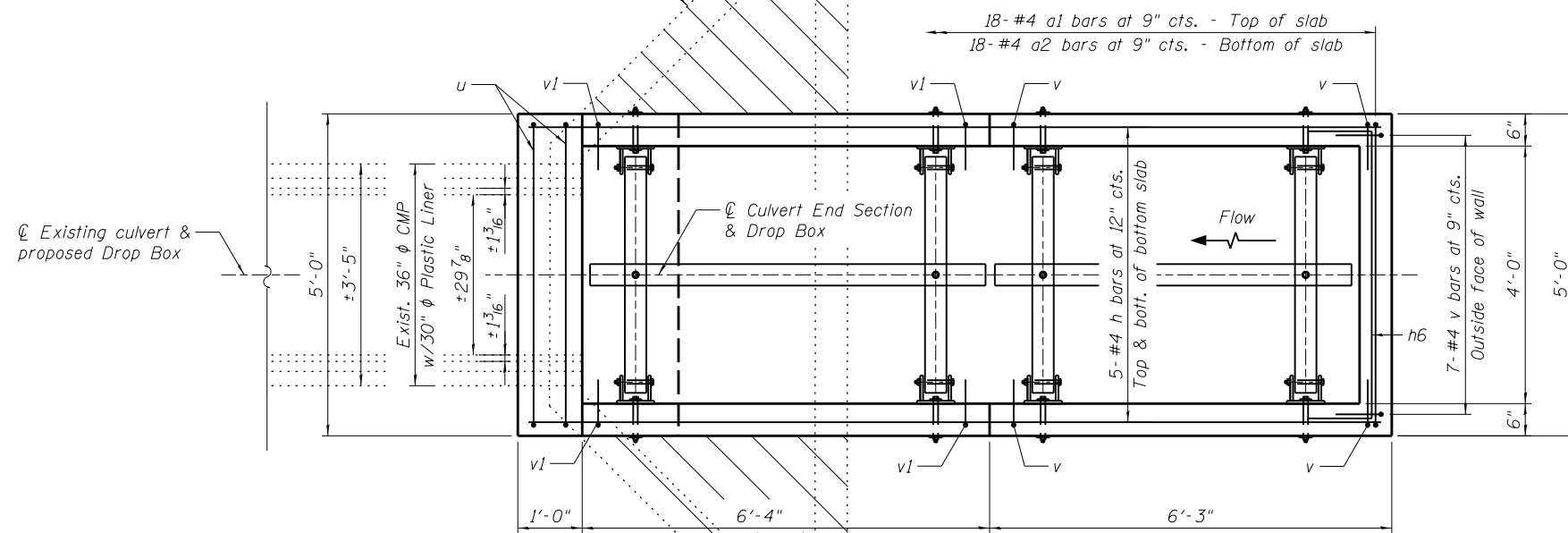


LONGITUDINAL SECTION



SECTION A-A

Remove existing wingwalls, headwall and apron. Regrout between failed gap between liner pipe and the existing 36" CMP.



PLAN



USER NAME = hferstl	DESIGNED - DLS	REVISED -
PLOT SCALE =	CHECKED - AEU	REVISED -
PLOT DATE = 3/20/2013	DRAWN - DLS	REVISED -
	CHECKED - AEU	REVISED -

F.A.P. RTE. 599	SECTION (83MFT & 103MFT)W	COUNTY ROCK ISLAND	TOTAL SHEETS 340	SHEET NO. 135
FED. ROAD DIST. NO. ILLINOIS FED. AID PROJECT			CONTRACT NO. 64H11	