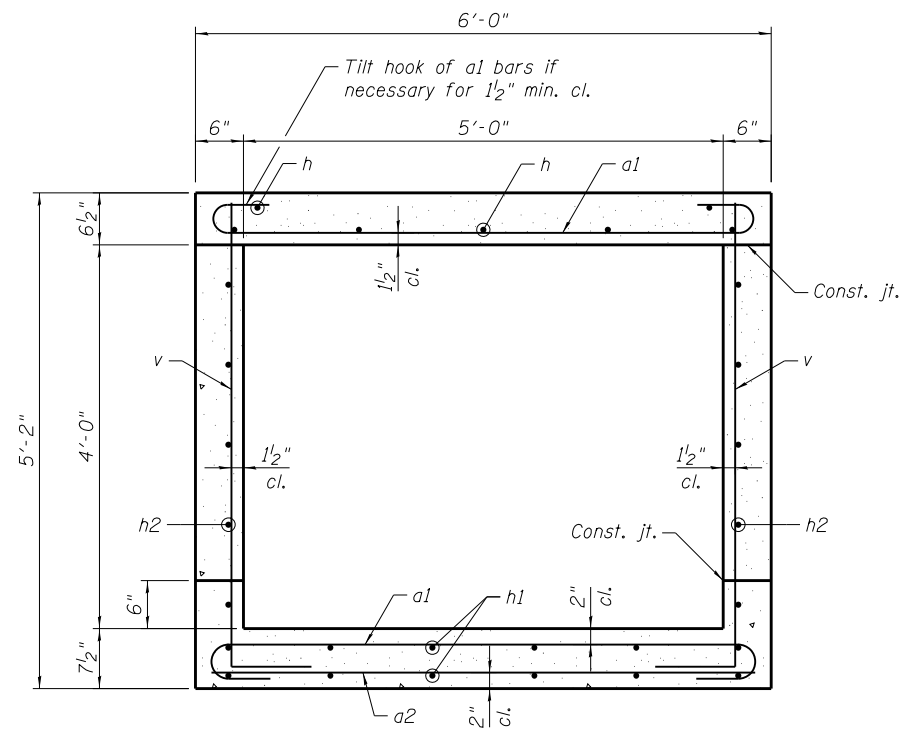
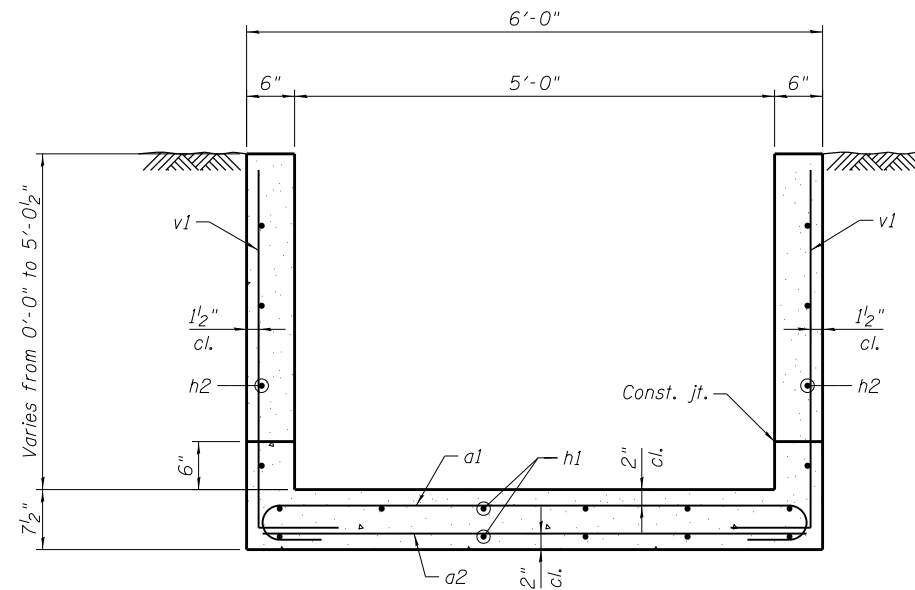


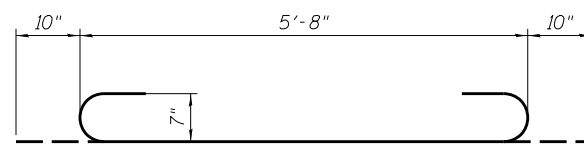
FILE NAME = W:\Projects\2010\100120 PTB 157\25\cadd\Structural\Drawings\30.07\Final\_Submittal\_13.0320\885+30.07-64H1-004-EndSectionDetails.dgn



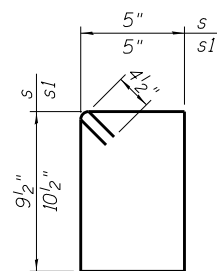
SECTION A-A



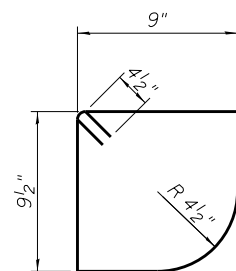
SECTION B-B



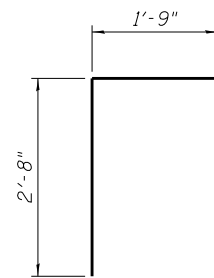
BAR a1



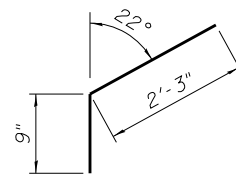
BARS s & s1



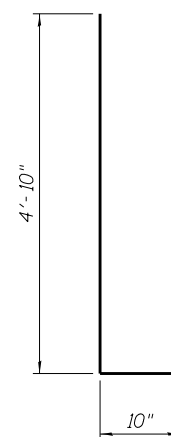
BAR s2



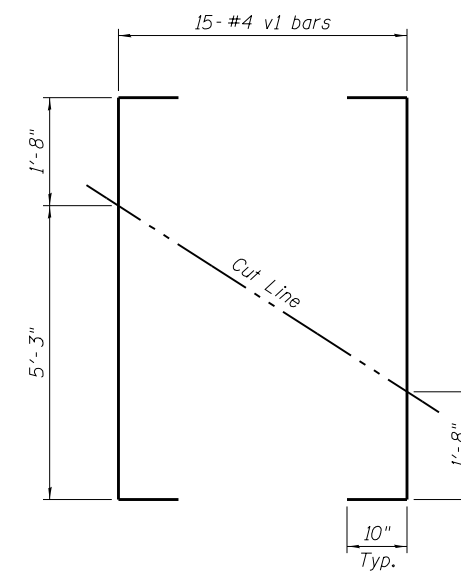
BAR d



BAR h5



BAR v



CUTTING DIAGRAM

Order bars full length. Cut as shown and use remainder of bars in opposite wall.

**BILL OF MATERIAL**  
(For Information Only)

Bar	No.	Size	Length	Shape
a1	43	#7	7'-4"	
a2	31	#4	5'-8"	
d	6	#4	4'-5"	
h	7	#7	6'-6"	
h1	12	#4	21'-8"	
h2	10	#5	20'-4"	
h3	12	#6	5'-8"	
h4	2	#5	12'-9"	
h5	8	#6	3'-0"	
h6	8	#6	2'-3"	
s	6	#4	3'-2"	
s1	6	#4	3'-4"	
s2	7	#4	3'-8"	
v	26	#4	5'-8"	
v1	15	#4	8'-7"	
Description		Unit	Quantity	
Concrete Box Culverts		Cu. Yd.	7.0	
Reinforcement Bars		Pound	1,680	