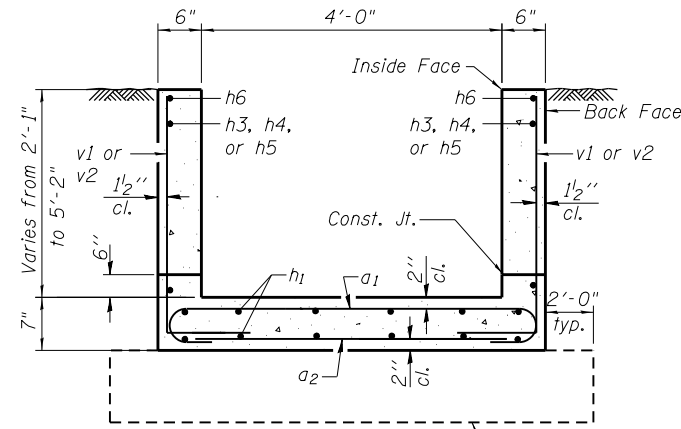


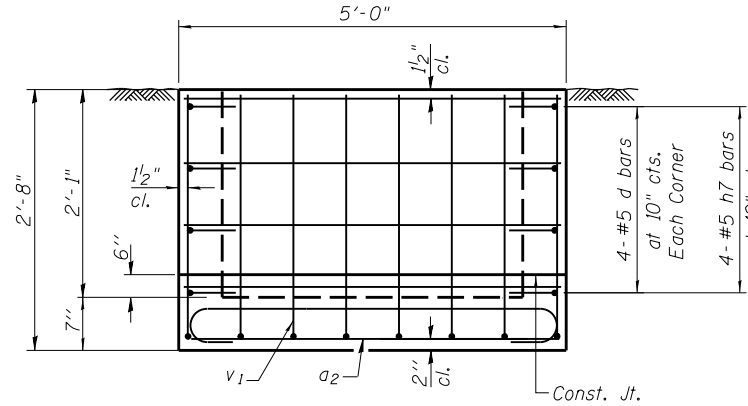
SECTION A-A

Limits of Removal & Disposal of Unsuitable Material for Structures

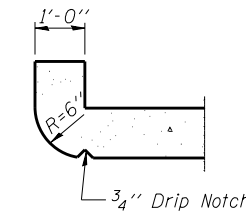


SECTION B-B

Limits of Removal & Disposal of Unsuitable Material for Structures



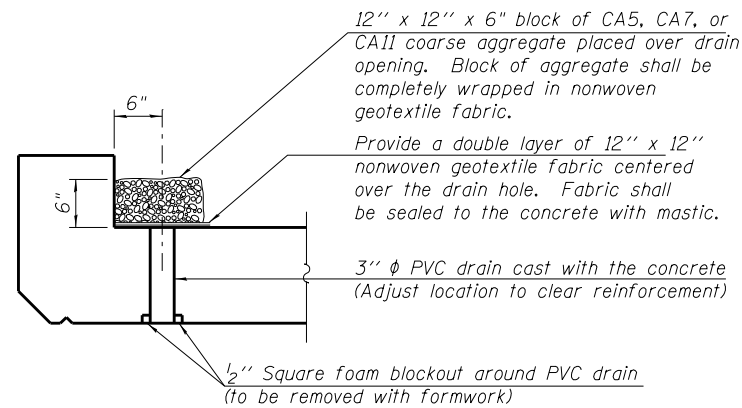
VIEW C-C



SECTION THRU HEADWALL
(Up Stream End Only)

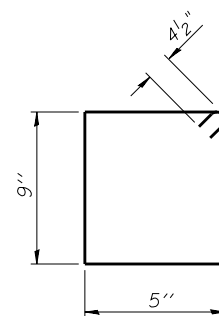
BILL OF MATERIAL
(For Information Only)

Bar	No.	Size	Length	Shape
a1	64	#6	6'-0"	U
a2	31	#4	4'-8"	—
a3	12	#6	4'-8"	—
d	8	#5	2'-0"	└
h	7	#6	8'-9"	—
h1	10	#4	21'-8"	—
h2	8	#5	8'-8"	—
h3	6	#5	15'-4"	—
h4	2	#5	10'-5"	—
h5	2	#5	6'-5"	—
h6	2	#5	12'-7"	—
h7	4	#5	4'-8"	—
h8	4	#5	2'-2"	—
h9	8	#5	2'-8"	—
h10	10	#6	2'-3"	—
s	5	#4	3'-9"	□
s1	10	#4	3'-1"	□
v	32	#4	5'-7"	┌
v1	8	#4	3'-8"	┌
v2	17	#4	10'-6"	┌
DESCRIPTION			UNIT	QTY.
Concrete Box Culverts			Cu. Yd.	5.5
Reinforcement Bars			Pound	1,620

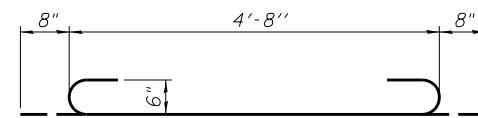


DRAIN DETAIL

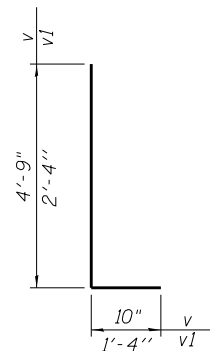
(All costs associated with furnishing and constructing the above drain details will not be measured for payment but shall be included in the contract unit price for the end section.)



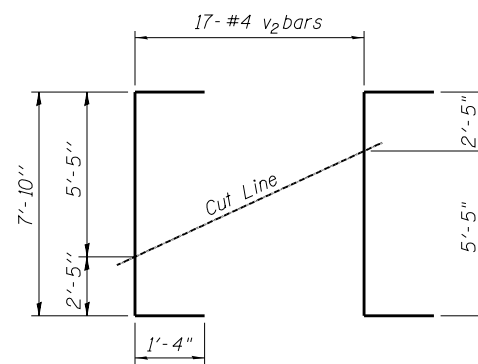
BAR s1



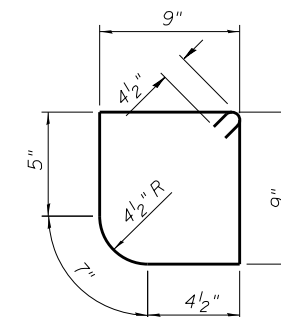
BAR a1



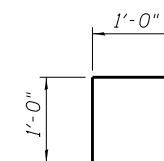
BARS v & v1



BAR v2 FIELD CUTTING DIAGRAM



BAR s



BAR d

FILE NAME = W:\Projects\2010\100120 PTB 157\25\cadd\Structural\Drawn\03 IL 92 Culverts\Station960+23.08\Final Submittal 13.0320\960+23.08-64H1-003-Drp Box Details.dgn