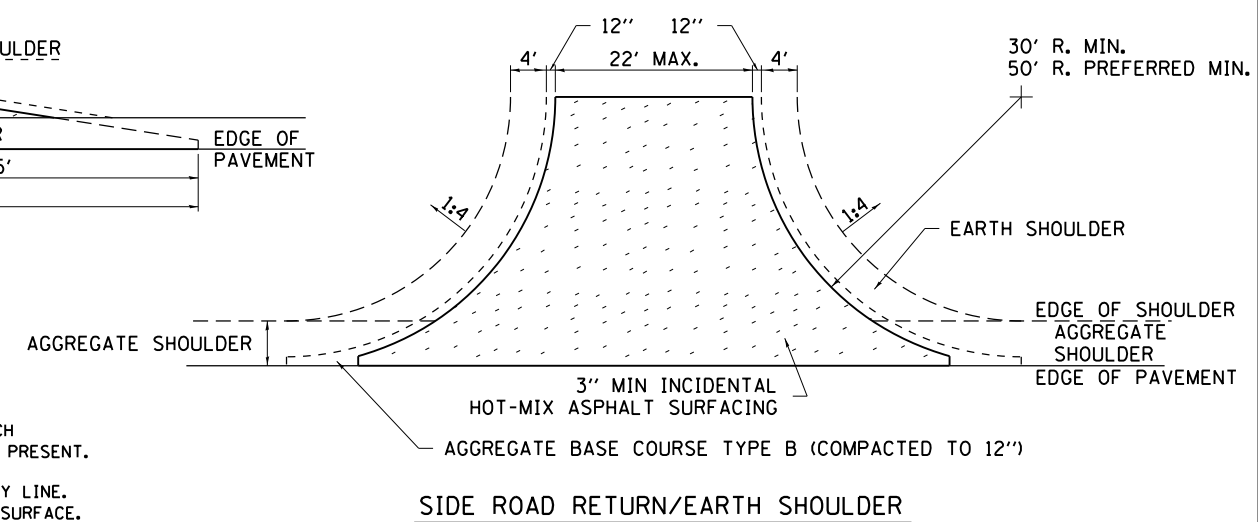
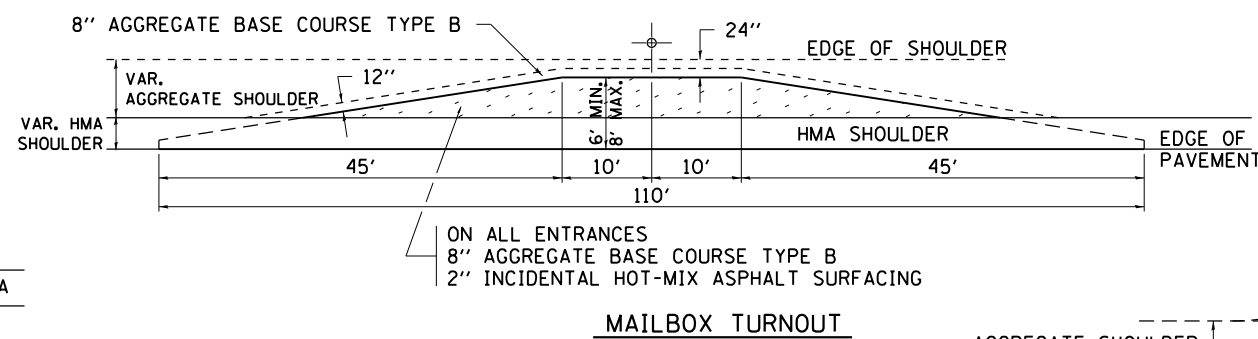
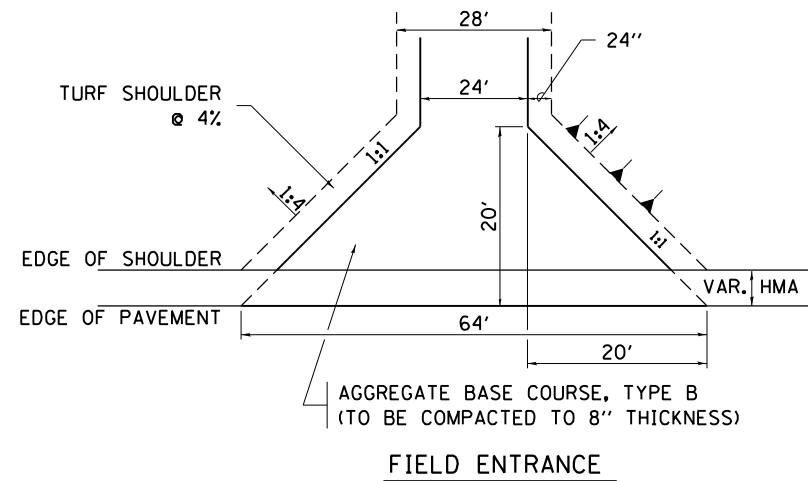
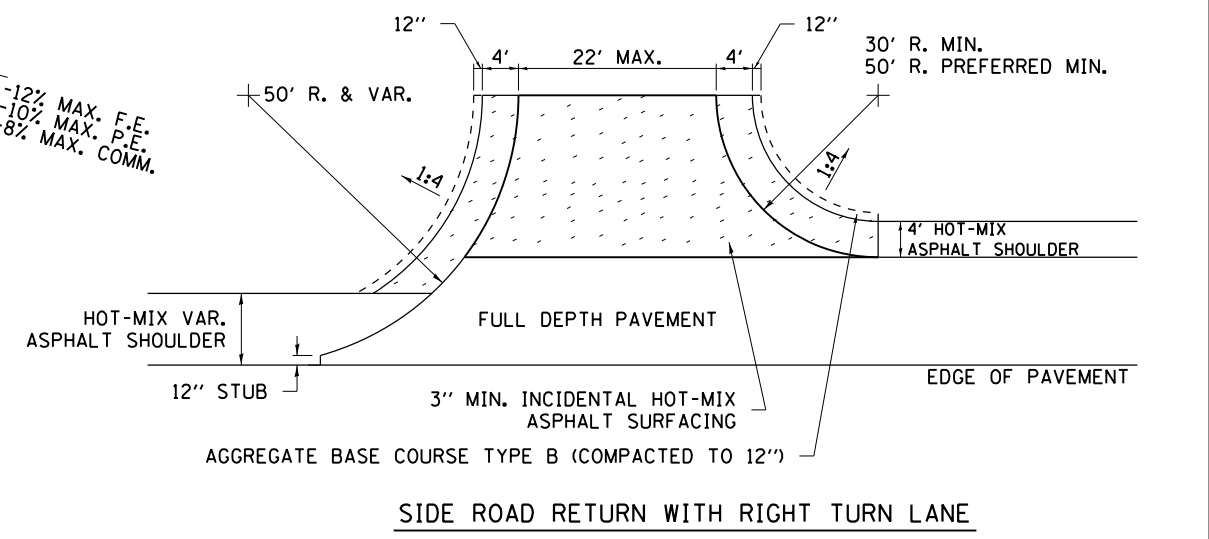
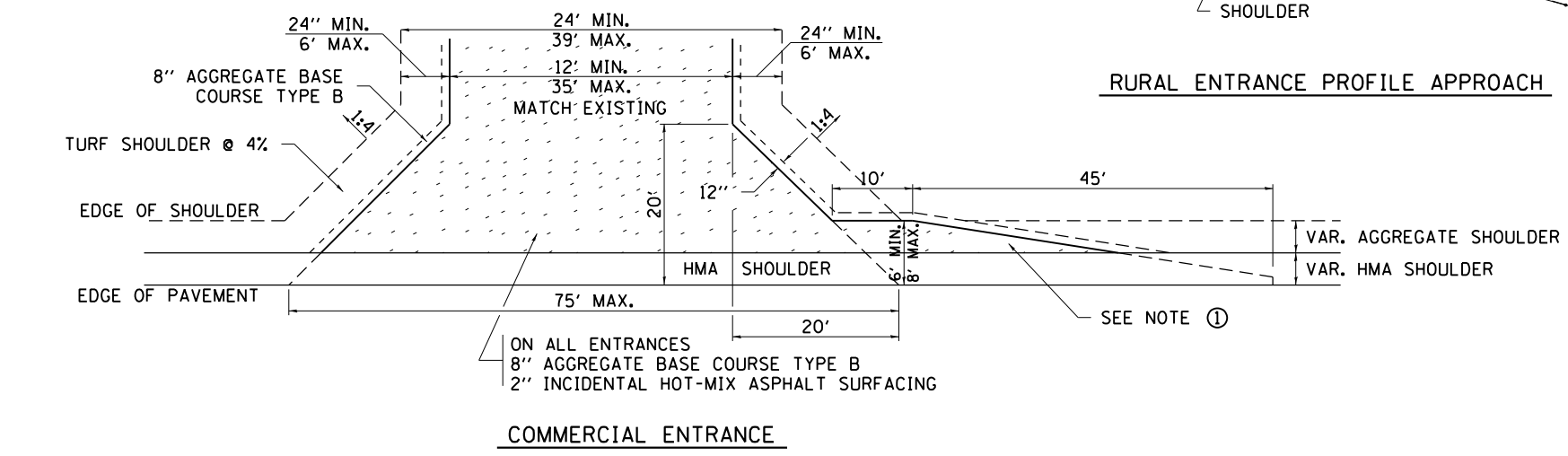
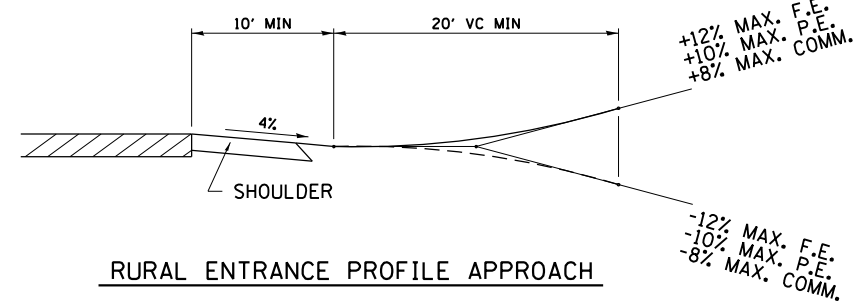
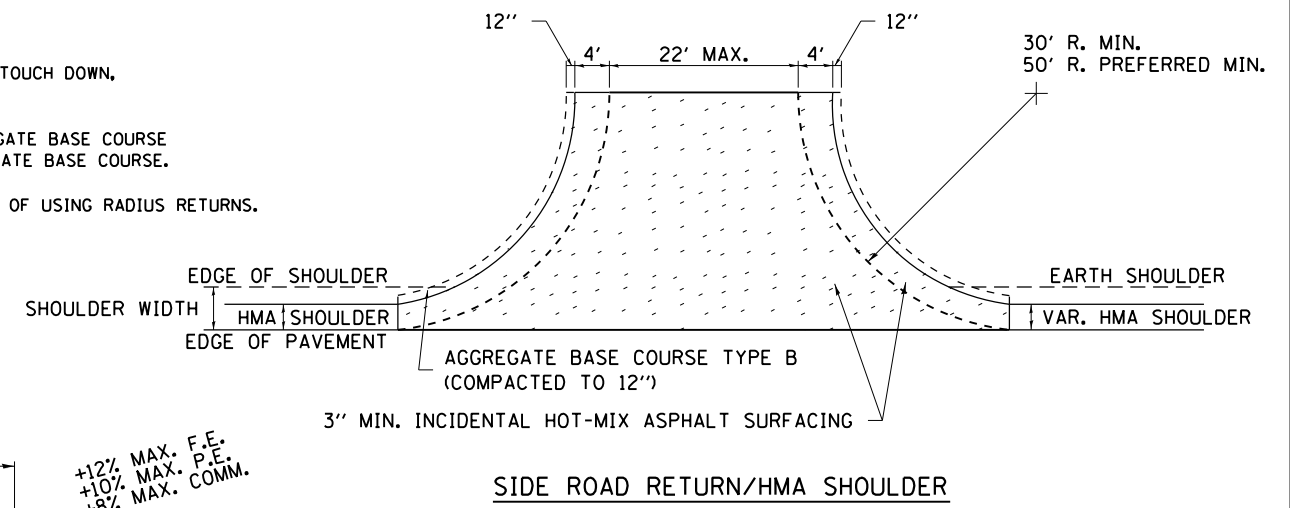
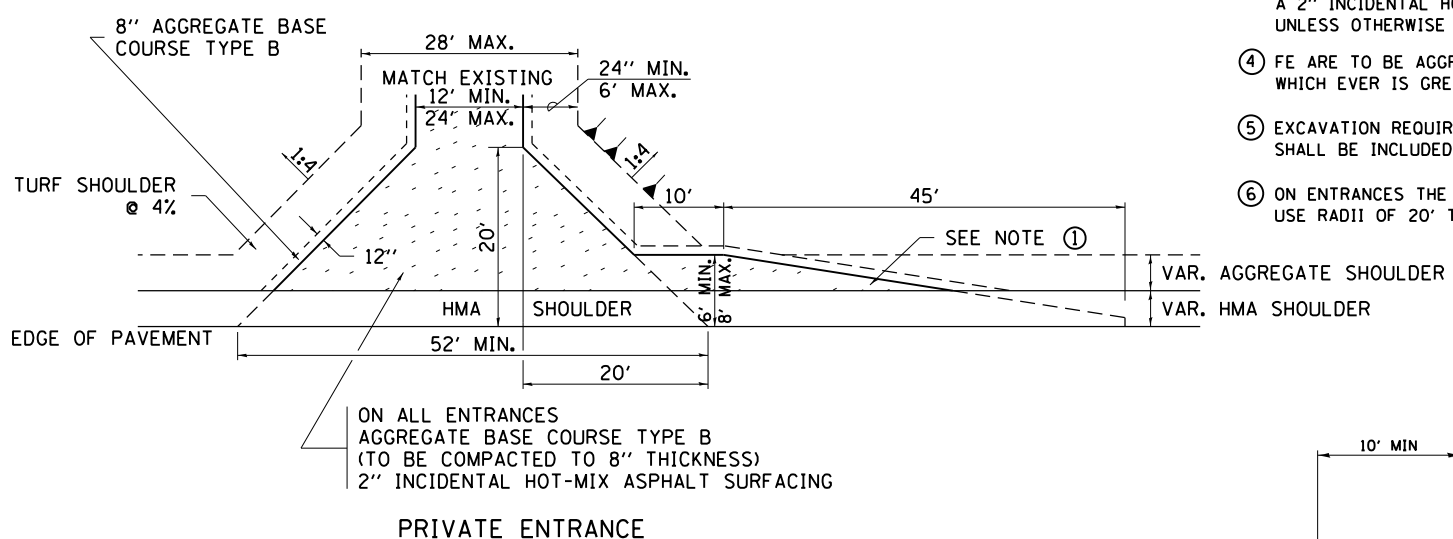


# HOT-MIX ASPHALT APPROACHES AND MAILBOX RETURNS



- NOTE**
- TURNOUTS ARE TO BE CONSTRUCTED ON THE APPROACH SIDE OF ALL PE & CE REGARDLESS IF A MAILBOX IS PRESENT.
  - ALL PE & CE ARE TO BE SURFACED TO RIGHT OF WAY LINE. AREA BEHIND RIGHT OF WAY SHALL MATCH EXISTING SURFACE.
  - ALL PE & CE TO BE CONSTRUCTED WITH AN 8" AGGREGATE BASE COURSE, TYPE B AND WITH A 2" INCIDENTAL HOT-MIX ASPHALT SURFACING, UNLESS OTHERWISE NOTED.
  - FE ARE TO BE AGGREGATE TO RIGHT OF WAY OR TOUCH DOWN, WHICH EVER IS GREATEST.
  - EXCAVATION REQUIRED FOR PLACEMENT OF AGGREGATE BASE COURSE SHALL BE INCLUDED IN THE COST OF THE AGGREGATE BASE COURSE.
  - ON ENTRANCES THE CONTRACTOR HAS THE OPTION OF USING RADIUS RETURNS. USE RADII OF 20' TO 60'.



FILE NAME =	USER NAME = renkesw	DESIGNED -	REVISED - 12-07-10	<b>STATE OF ILLINOIS DEPARTMENT OF TRANSPORTATION</b>	<b>REGION 2 / DISTRICT 2 STANDARD</b>			F.A.P. RTE.	SECTION	COUNTY	TOTAL SHEETS	SHEET NO.
ca:\pwwork\pwwid\renkesw\0261271\02074111-sht-details.dgn		DRAWN -	REVISED -					599	(83MFT & 103MFT)W	ROCK ISLAND	340	220
PLOT SCALE = 100.0000' / 1in.		CHECKED -	REVISED -					CONTRACT NO. 64H11				
PLOT DATE = Wed Mar 20 11:06:34 2013		DATE -	REVISED -					FED. ROAD DIST. NO. ILLINOIS FED. AID PROJECT				