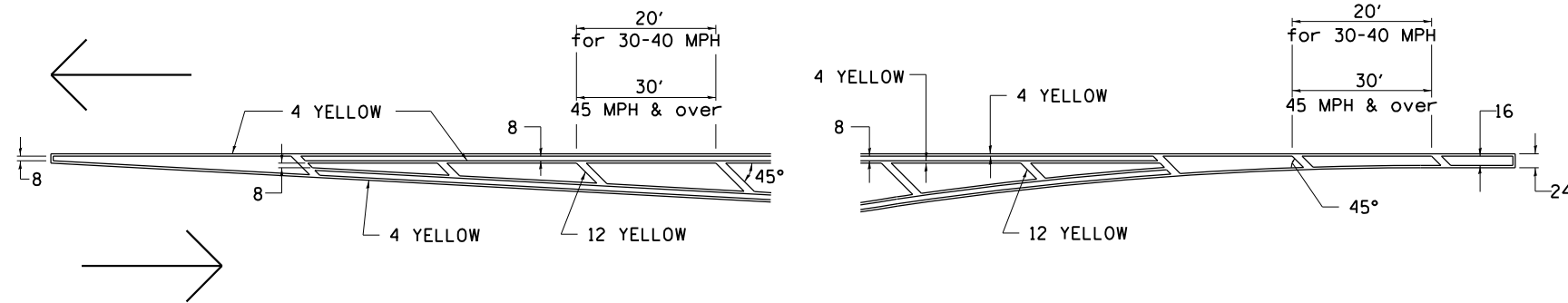
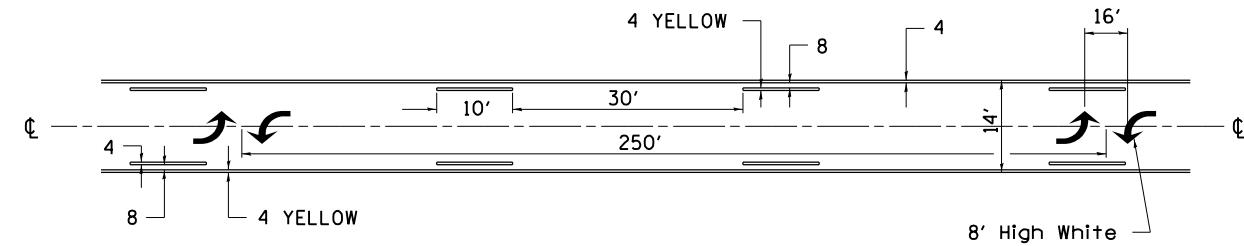


TYPICAL PAVEMENT MARKINGS

TYPICAL PAVEMENT MARKING FOR FLUSH MEDIAN AT LEFT TURN LANE

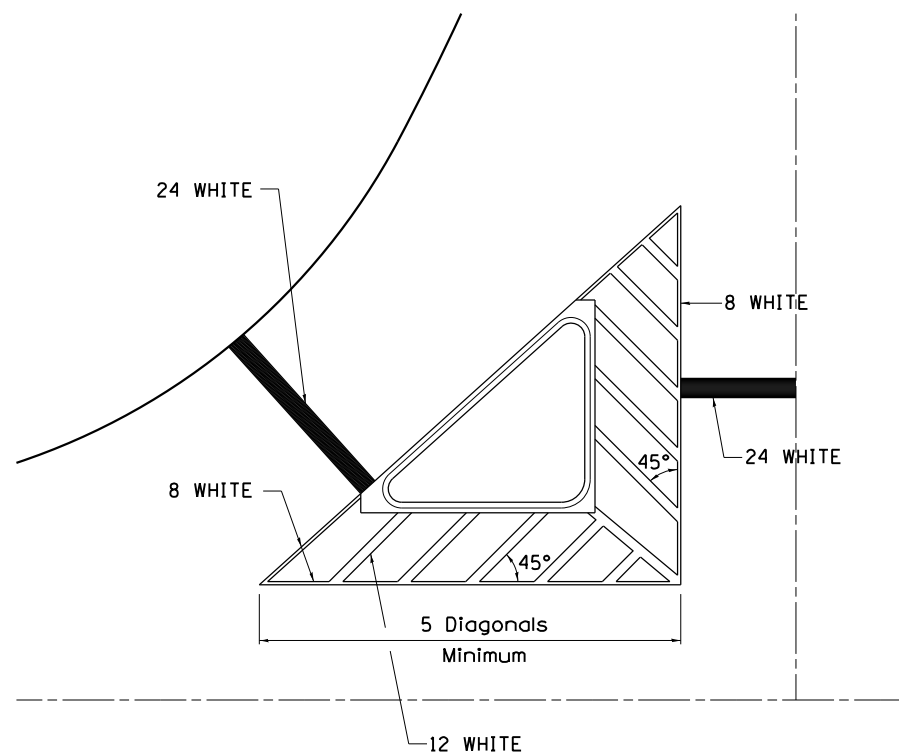


MEDIAN PAVEMENT MARKING

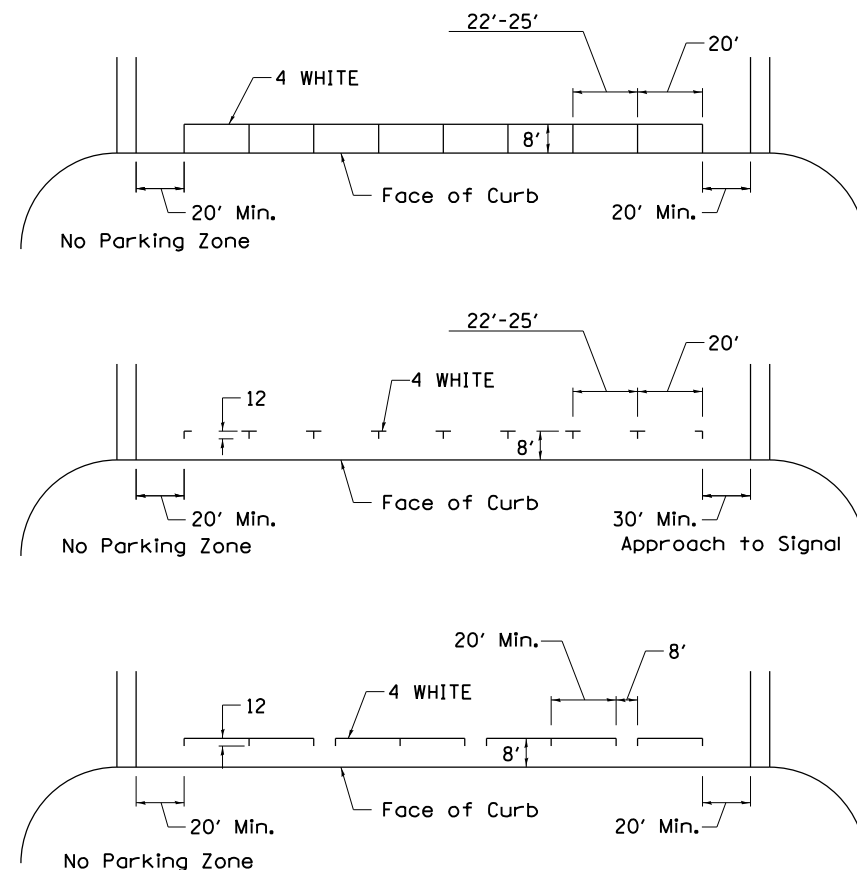


•• ALL DIMENSIONS ARE IN INCHES UNLESS OTHERWISE NOTED.

TYPICAL ISLAND OFFSET SHOULDER WIDTH

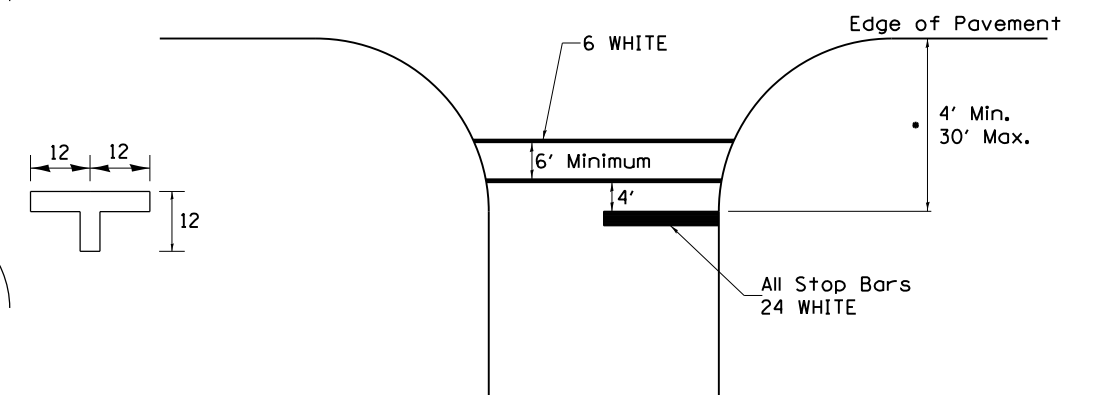


TYPICAL PARKING SPACING



STANDARD CROSSWALK MARKING

See Schedules for Locations



• Distance to the nearest edge of the intersecting roadway in the absence of a marked crosswalk.

FILE NAME =	USER NAME = renkesrw	DESIGNED -	REVISED - 3-05-12	STATE OF ILLINOIS DEPARTMENT OF TRANSPORTATION	REGION 2 / DISTRICT 2 STANDARD			F.A.P. RTE.	SECTION	COUNTY	TOTAL SHEETS	SHEET NO.
ca:\pwork\pwork\renkesrw\0261271\0207411-sht-details.dgn		DRAWN -	REVISED -		599	(83MFT & 103MFT)W	ROCK ISLAND	340	221			
PLOT SCALE = 100.0000' / in.		CHECKED -	REVISED -		CONTRACT NO. 64H11			FED. ROAD DIST. NO.	ILLINOIS FED. AID PROJECT			
PLOT DATE = Wed Mar 20 11:07:03 2013		DATE -	REVISED -		SCALE:	SHEET NO.	OF SHEETS	STA.	TO STA.			