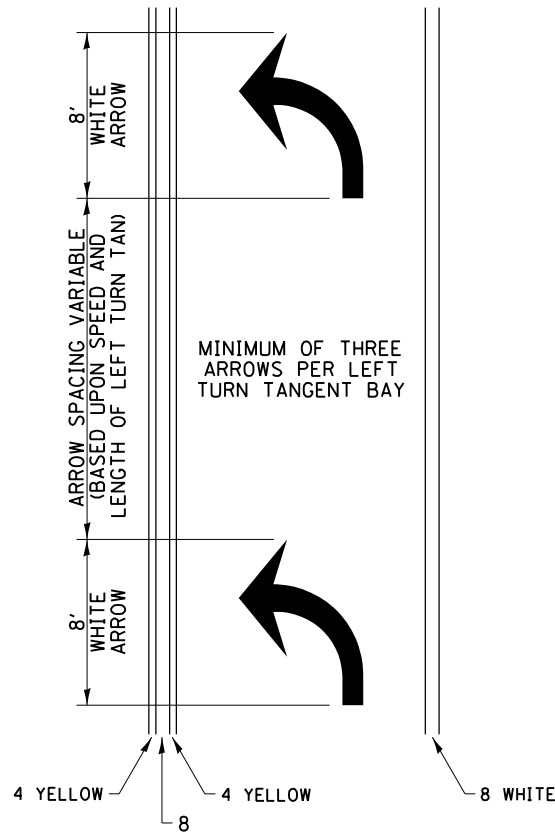


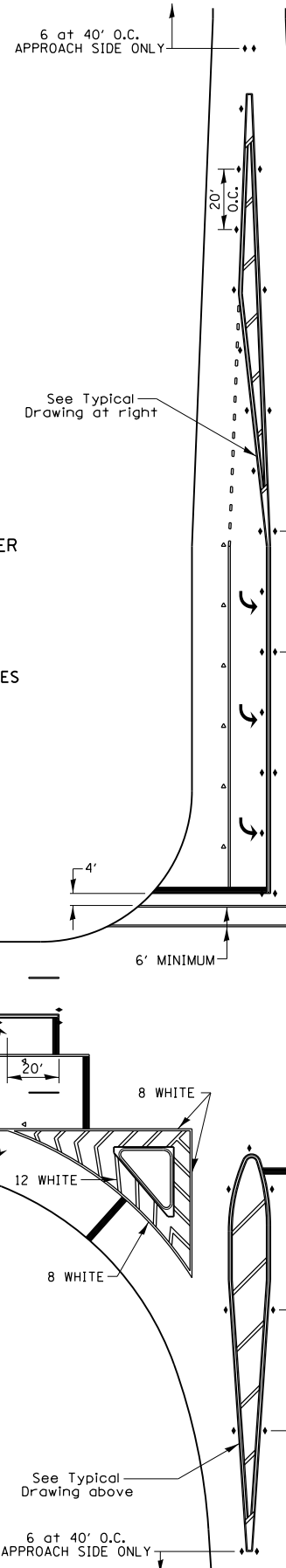
# TYPICAL PAVEMENT MARKINGS

## ARROW LAYOUT

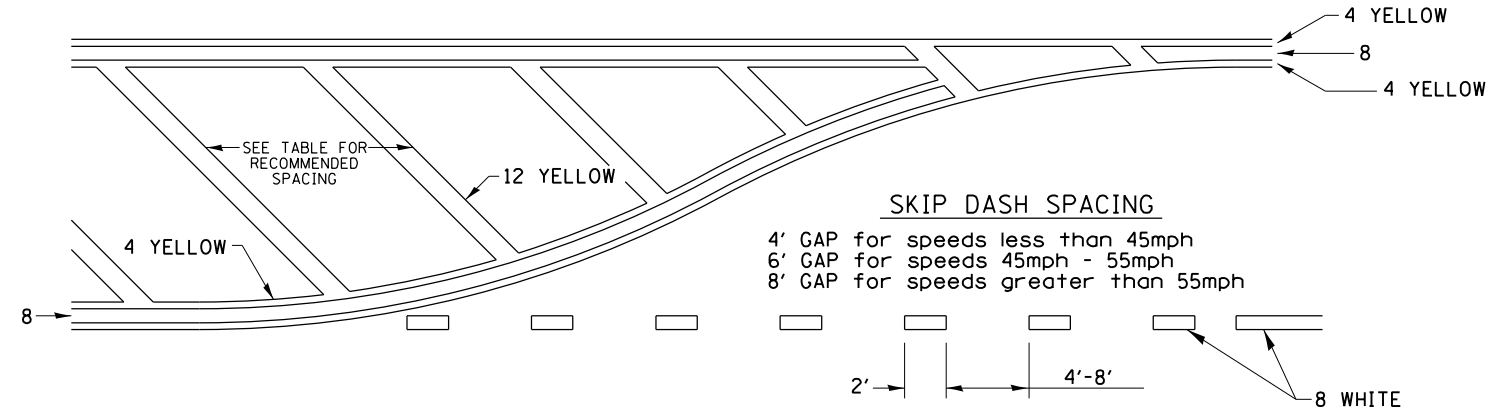


- ◀ ONE-WAY AMBER MARKER
- ◁ ONE-WAY CRYSTAL MARKER
- ◆ TWO-WAY AMBER MARKER

ALL DIMENSIONS ARE IN INCHES UNLESS OTHERWISE NOTED.



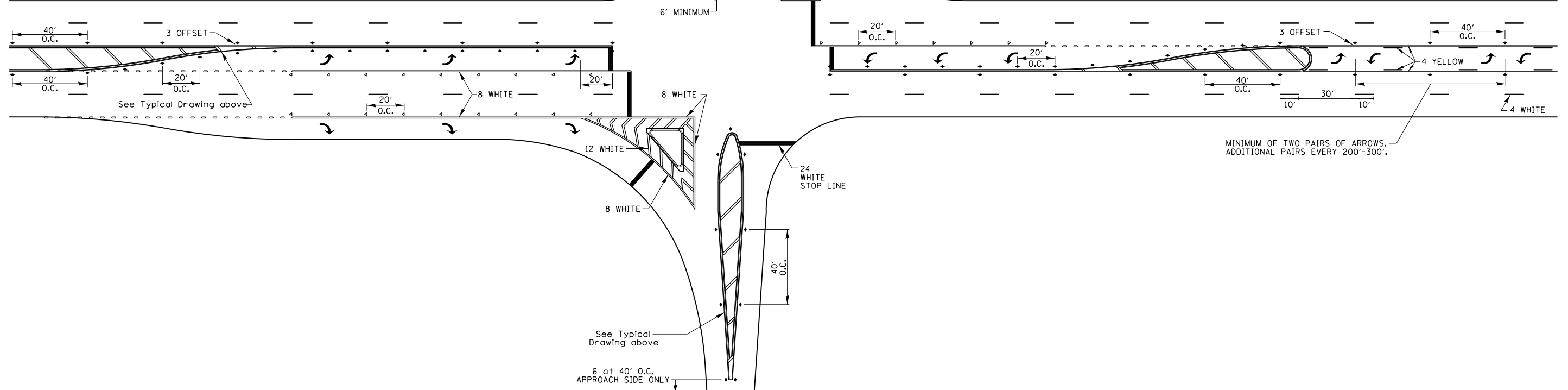
## TYPICAL PAVEMENT MARKING FOR FLUSH MEDIAN



## RECOMMENDED SPACING BETWEEN DIAGONALS (IN FEET)

Speed Limit Range	Continuous Median Area	Intersection Channelization	Objects (Islands)
less than 30MPH	50'	15'	10'
30-40MPH	75'	20'	15'
45MPH & over	75'	30'	20'

NOTE: if the spacing recommended in the Table does not permit at least five diagonal lines in the area being marked, the spacing from the next lowest speed range should be used. The recommended spacing is measured parallel to the pavement center line.



FILE NAME =	USER NAME = renkesw	DESIGNED -	REVISED - 3-05-12
ca:\pw\work\p\idot\renkesw\0261271\0207411-shd-details.dgn		DRAWN -	REVISED -
		CHECKED -	REVISED -
		DATE -	REVISED -
PLOT SCALE = 100.0000' / in.			
PLOT DATE = Wed Mar 20 11:07:27 2013			

STATE OF ILLINOIS  
DEPARTMENT OF TRANSPORTATION

REGION 2 / DISTRICT 2 STANDARD

SCALE: SHEET NO. OF SHEETS STA. TO STA.

F.A.P. RTE.	SECTION	COUNTY	TOTAL SHEETS	SHEET NO.
599	(83MFT & 103MFT)W	ROCK ISLAND	340	222
CONTRACT NO.			64H11	
FED. ROAD DIST. NO.		ILLINOIS FED. AID PROJECT		