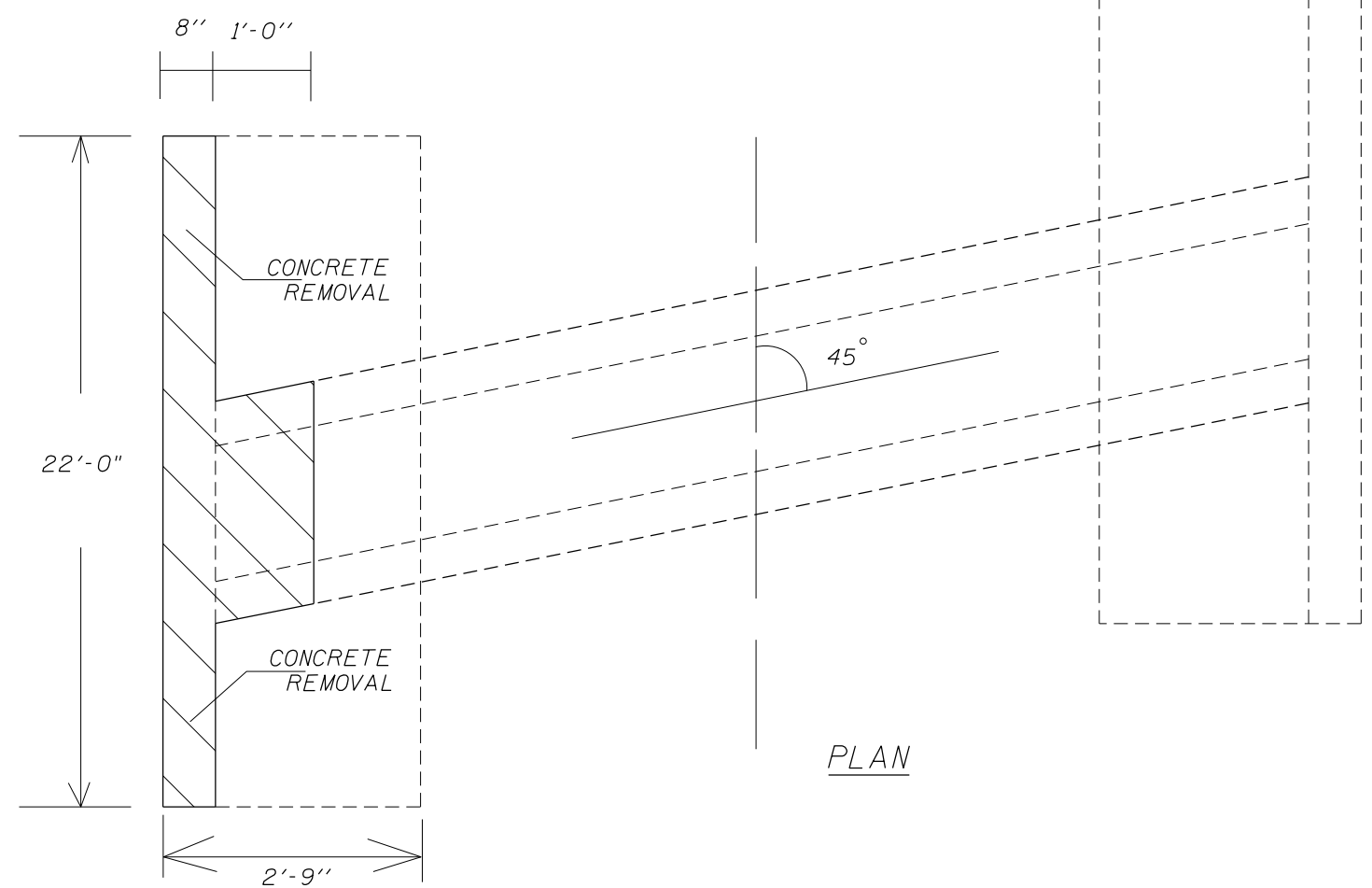
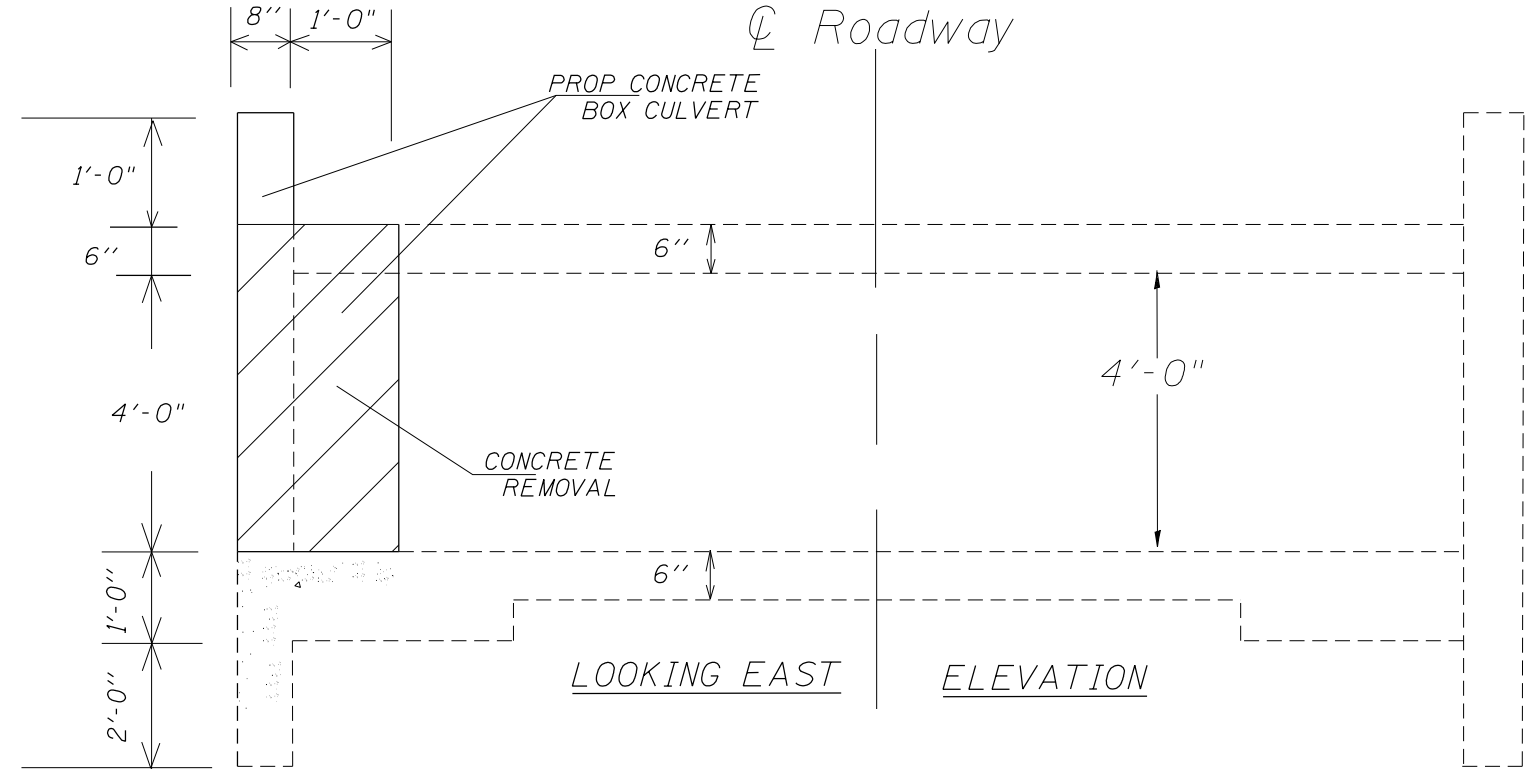


FRONT LOOKING SOUTH



FILE NAME =	USER NAME =	DESIGNED -	REVISED -
		DRAWN -	REVISED -
		CHECKED -	REVISED -
		DATE -	REVISED -
	PLOT SCALE =		
	PLOT DATE = 3/20/2013		

**STATE OF ILLINOIS  
DEPARTMENT OF TRANSPORTATION**

**CONCRETE BOX CULVERT REPAIR STA 943 + 45**

SCALE:      SHEET NO.    OF    SHEETS    STA.      TO STA.

F.A. RTE. FAS 2402 U.S. 150	SECTION (110,111,112,113)RS-3; 114RS-4;112C-2	COUNTY PEORIA	TOTAL SHEETS 76	SHEET NO. 29
FED AID PROJECT			CONTRACT NO. 68614	