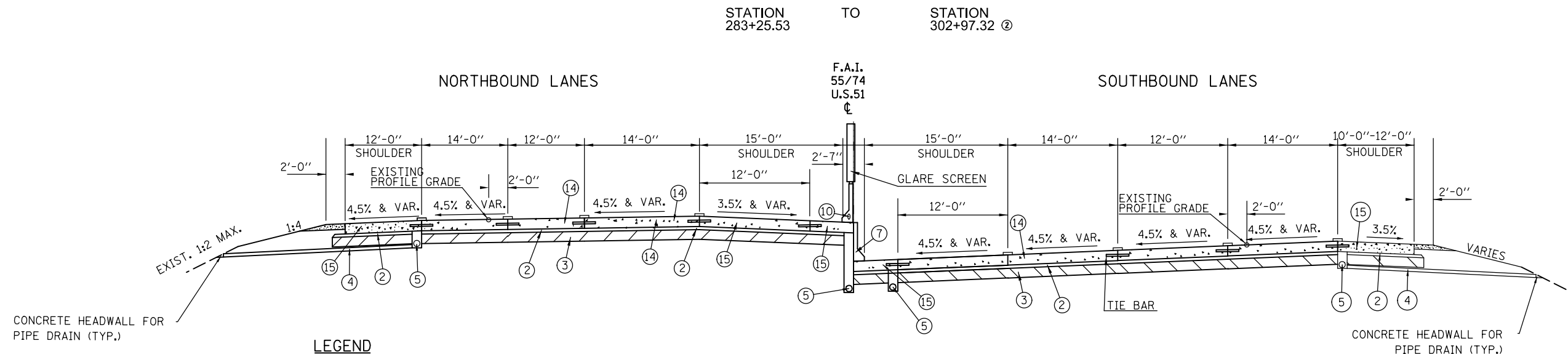


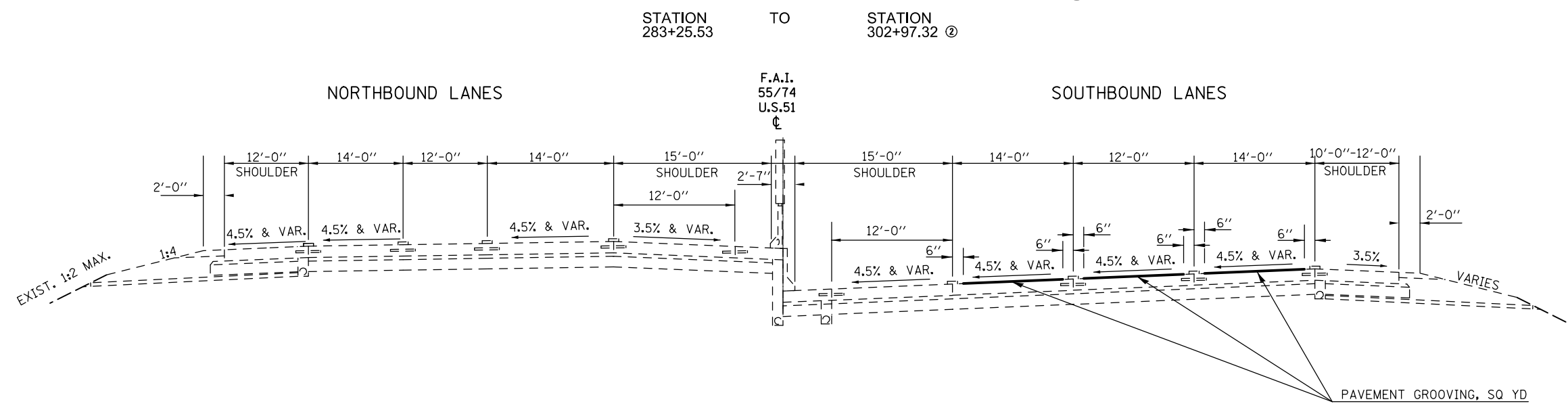
EXISTING TYPICAL CROSS SECTION ①



LEGEND

- ① EXISTING CONTINUOUSLY REINFORCED P.C.C. PAVEMENT 12 1/2"
- ② EXISTING STABILIZED SUB-BASE 4"
- ③ EXISTING PROCESSING LIME MODIFIED SOIL 12"
- ④ EXISTING PIPE UNDERDRAIN 4" (SPECIAL)
- ⑤ EXISTING PIPE UNDERDRAIN 4"
- ⑥ EXISTING AGGREGATE SHOULDER TYPE B, 6"
- ⑦ EXISTING CONCRETE BARRIER
- ⑧ EXISTING P.C.C. SHOULDER 12 1/2"
- ⑨ EXISTING P.C.C. SHOULDER RUMBLE STRIP
- ⑩ 4" P.V.C. EMBEDDED IN STRUCTURE
- ⑪ 2" P.V.C. CONDUIT FOR LIGHTING
- ⑫ EXISTING HMA SHOULDER, 8"
- ⑬ CONCRETE SHOULDER CURB
- ⑭ EXISTING CONTINUOUSLY REINFORCED P.C.C. PAVEMENT 13 1/2"
- ⑮ EXISTING P.C.C. SHOULDER 13 1/2"

PROPOSED TYPICAL CROSS SECTION ①



FILE NAME =	USER NAME = bergenej	DESIGNED -	REVISED -
et:\pw\work\p\idot\bergenej\d0337583\0570A25-sht-typical_1.dgn		DRAWN -	REVISED -
	PLOT SCALE = 100.0000' / in.	CHECKED -	REVISED -
	PLOT DATE = 4/23/2013	DATE -	REVISED -

**STATE OF ILLINOIS
DEPARTMENT OF TRANSPORTATION**

TYPICAL SECTIONS	
SCALE:	SHEET NO. 1 OF 6 SHEETS
STA. 283+25.53 TO STA. 302+97.32	

F.A.I. RTE.	SECTION	COUNTY	TOTAL SHEETS	SHEET NO.
•	HSIP 2013-1	MCLEAN	11	4
CONTRACT NO. 70A25				
ILLINOIS FED. AID PROJECT				

• F.A.I. 55, F.A.I. 74, & U.S. 51