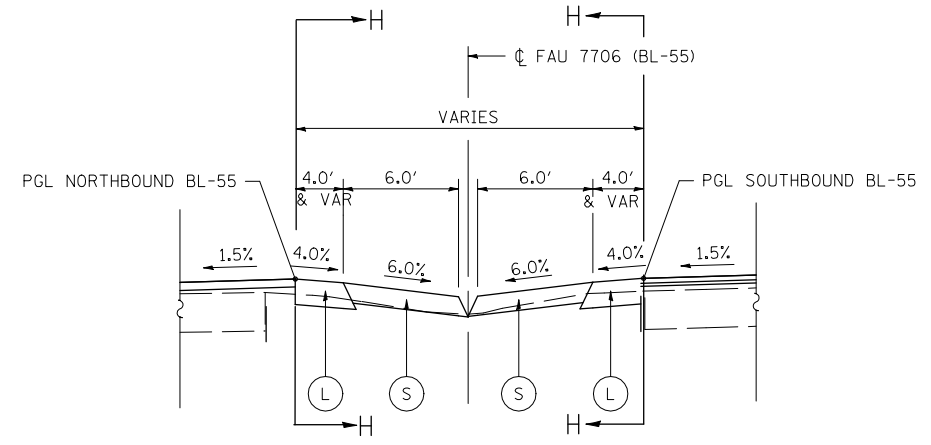


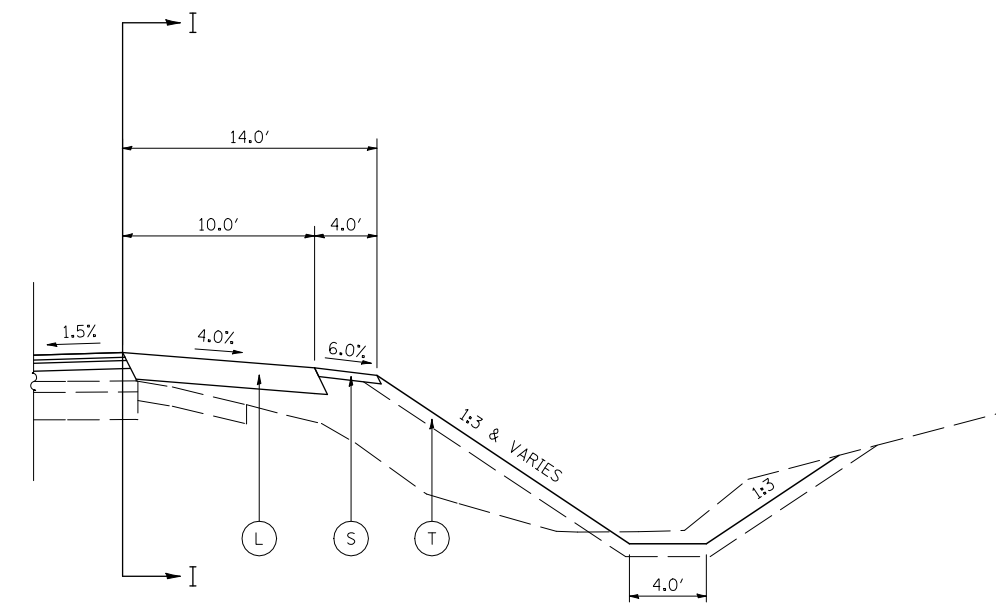
STA. 120+35.00 - 122+70.00±
 STA. 122+70.00± - 123+35.00± - INTERSECTION,
 STA. 123+35.00± - 124+50.00± - PR 4' & VAR. WIDTH HMA. SHLDS (8''), & AGG. SHLDS. - SEE PLAN VIEW

LEGEND FOR FAU 7706 (BL-55) TYPICAL SECTIONS

- A EXISTING PCC PAVEMENT, 10"
- B EXISTING PCC BASE COURSE, 10"
- C EXISTING AGGREGATE BASE COURSE, 9"
- D EXISTING HMA SHOULDERS, 8"
- E EXISTING COMBINATION CONCRETE CURB AND GUTTER, TYPE B-6.24
- F EXISTING HMA SURFACE, 3"±
- G EXISTING HMA SURFACE, 6"±
- H EXISTING CONCRETE BARRIER W/ CLARE SCREEN
- I PROPOSED SUBBASE GRANULAR MATERIAL, TYPE A 8"
- J PROPOSED HMA SURFACE REMOVAL, 3"
- K PROPOSED HMA BASE COURSE / WIDENING, 10 3/4"
- L PROPOSED HMA SHOULDERS, 8"
- M PROPOSED HMA SHOULDERS, 13.5"
- N PROPOSED HMA SHOULDERS, VAR. DEPTH
- O PROPOSED COMBINATION CONCRETE CURB AND GUTTER, TYPE B-6.24
- P PROPOSED HMA CONCRETE BINDER COURSE, IL 19.0, N70, VAR. DEPTH (2 1/4" MIN.)
- Q PROPOSED LEVELING BINDER (MACHINE METHOD), N70, VAR. DEPTH (1" MINIMUM)
- R PROPOSED HMA CONCRETE SURFACE COURSE, MIX D, N70, 1.5"
- S PROPOSED AGGREGATE SHOULDERS, TYPE B, 4"
- T PROPOSED TOP SOIL PLACEMENT 4"
- U PROPOSED PAVEMENT MARKING, LINE 5"
- V PROPOSED SUB-BASE GRANULAR MATERIAL, TYPE C VAR. DEPTH
- W PROPOSED PIPE UNDERDRAINS 4"
- X PROPOSED PIPE UNDERDRAINS 4" (SPECIAL)



SECTION H-H
 NO RAISED MEDIAN
 STA. 123+35.00 - 126+00.00



SECTION I-I
 NO GUARDRAIL SECTION
 STA. 122+00.00 - 123+35.00 RT
 STA. 123+35.00 - 124+50.00 RT - SHLD. WIDTHS VARY
 SEE PLAN VIEW

LAST SAVED = 5/23/2013 10:39:34 AM
 PEN TABLE = 101414141
 PLOT DRIVER = TR-18pdf-Block-Half.plt

FILE NAME =	USER NAME = jpettibone	DESIGNED -	REVISED -
i:\06103\cad\l\plans\004.D672789-Sht-Typical.dgn		DRAWN -	REVISED -
PLOT SCALE = 20.0000' / IN.		CHECKED -	REVISED -
PLOT DATE = 5/23/2013 10:39:34 AM		DATE -	REVISED -

**STATE OF ILLINOIS
 DEPARTMENT OF TRANSPORTATION**

TYPICAL SECTIONS

SCALE: NONE SHEET NO. 8 OF 10 SHEETS STA. TO STA.

F.A.U. RTE.	SECTION	COUNTY	TOTAL SHEETS	SHEET NO.
7706	23(B-1)	LOGAN	179	21
BUS. LOOP 55 OVER SALT CREEK			CONTRACT NO. 72789	
FED. ROAD DIST. NO.		ILLINOIS FED. AID PROJECT		