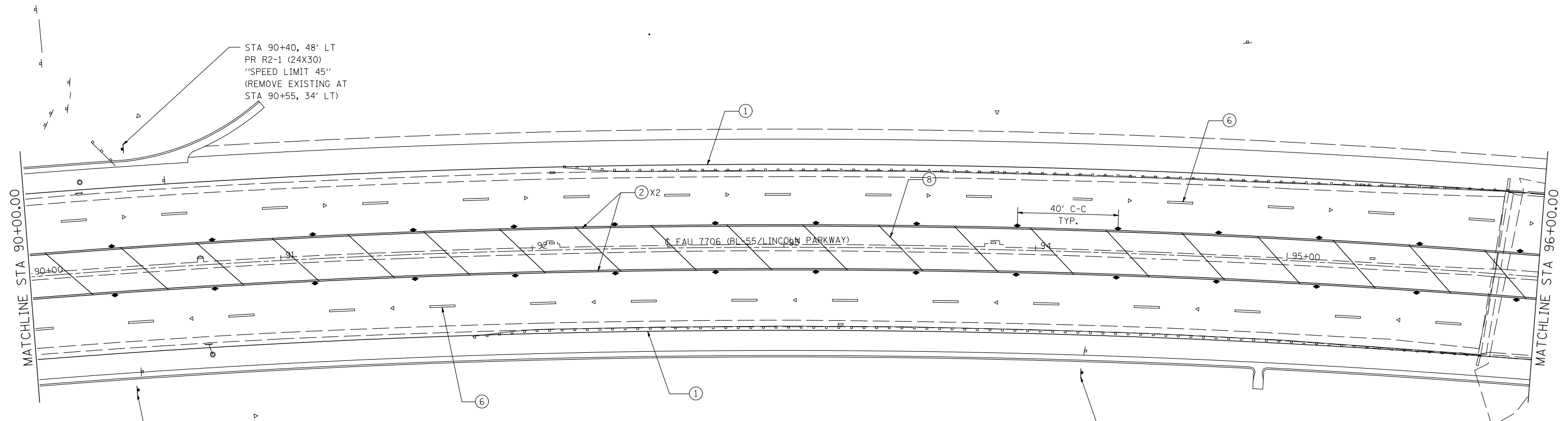


PAVEMENT MARKING LEGEND

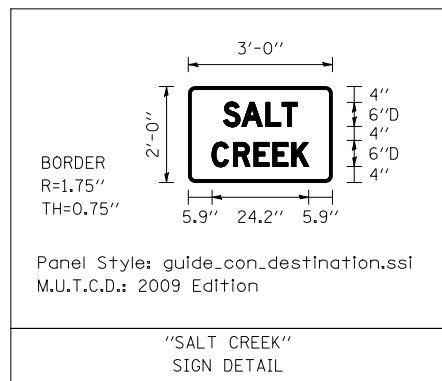
- ① PR MODIFIED URETHANE PAVEMENT MARKING - LINE 5" (WHITE, SOLID)
- ② PR MODIFIED URETHANE PAVEMENT MARKING - LINE 5" (YELLOW, SOLID)
- ③ PR MODIFIED URETHANE PAVEMENT MARKING - LINE 6" (WHITE, SOLID)
- ④ PR MODIFIED URETHANE PAVEMENT MARKING - LINE 5" (WHITE, SKIP-DASH)
- ⑤ PR MODIFIED URETHANE PAVEMENT MARKING - LINE 12" (YELLOW, SOLID @ 30' CTS)
- ⑥ PR PREFORMED PLASTIC PAVEMENT MARKING, TYPE B - INLAID - LINE 5" (WHITE, SKIP-DASH)
- ⑦ PR PREFORMED PLASTIC PAVEMENT MARKING, TYPE B - INLAID - LINE 6" (WHITE, SKIP-DASH) (2'-6" SPACING)
- ⑧ PR PREFORMED PLASTIC PAVEMENT MARKING, TYPE B - INLAID - LINE 12" (YELLOW, SOLID @ 30' CTS)
- ⑨ PR PREFORMED PLASTIC PAVEMENT MARKING, TYPE B - INLAID - LINE 24" (WHITE, SOLID)
- ↖ PR PREFORMED PLASTIC PAVEMENT MARKING, TYPE B - INLAID - LETTERS & SYMBOLS (WHITE, LARGE ARROWS)
- ▴ PR RAISED REFLECTIVE PAVEMENT MARKER (ONE-WAY CRYSTAL)
- ▴ PR RAISED REFLECTIVE PAVEMENT MARKER (ONE-WAY AMBER)
- ◆ PR RAISED REFLECTIVE PAVEMENT MARKER (TWO-WAY AMBER)



STA 90+40, 48' LT
PR R2-1 (24X30)
"SPEED LIMIT 45"
(REMOVE EXISTING AT
STA 90+55, 34' LT)

STA 90+40, 48' RT
PR R2-1 (24X30)
"SPEED LIMIT 45"
(REMOVE EXISTING
"SPEED LIMIT 55" AT
STA 90+42, 41' RT)

STA 94+20, 48' RT
"SALT CREEK"
(SEE DETAIL)
(REMOVE EXISTING AT
STA 94+21, 39' RT)



LAST SAVED = 5/23/2013 10:40:53 AM
 PEN TABLE = 1044 (1/4")
 PLOT DRIVER = TR-18pdf-Block-Half.plt

FILE NAME =	USER NAME = jepettibone	DESIGNED -	REVISED -
1:\06103\cad\1\plans\019_0672789-Sht-PM.kdgn		DRAWN -	REVISED -
PLOT SCALE = 40.0000' / IN.		CHECKED -	REVISED -
PLOT DATE = 5/23/2013 10:40:53 AM		DATE -	REVISED -

**STATE OF ILLINOIS
DEPARTMENT OF TRANSPORTATION**

PAVEMENT MARKING DETAILS		
SCALE: 1" = 20'	SHEET NO. 4 OF 9 SHEETS	STA. 90+00.00 TO STA. 96+00.00

F.A.U. RTE.	SECTION	COUNTY	TOTAL SHEETS	SHEET NO.
7706	23(B-1)	LOGAN	179	76
BUS. LOOP 55 OVER SALT CREEK			CONTRACT NO. 72789	
FED. ROAD DIST. NO.		ILLINOIS FED. AID PROJECT		