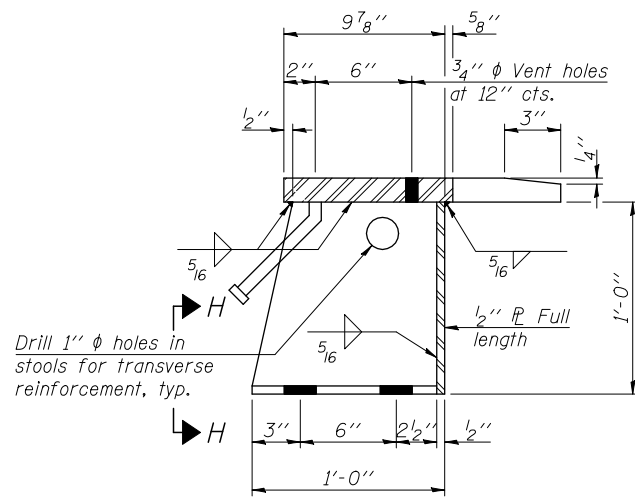


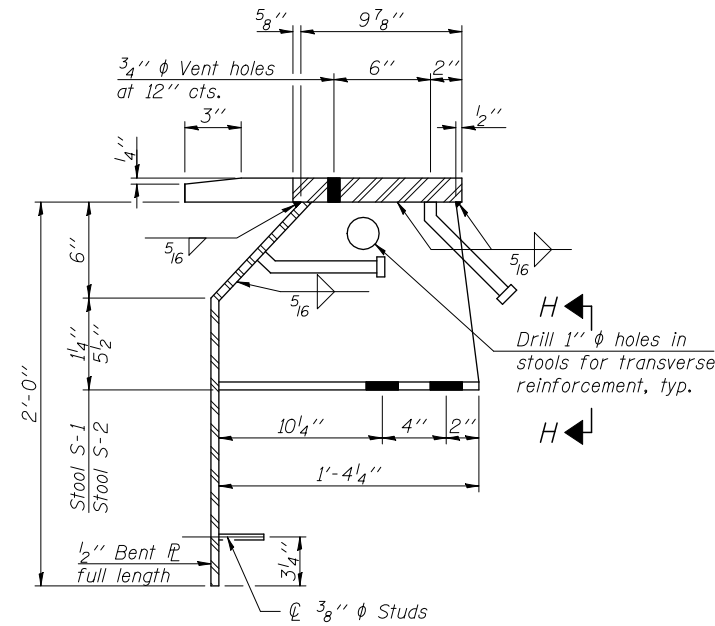
STATE OF ILLINOIS
DEPARTMENT OF TRANSPORTATION

ROUTE NO.	SECTION	COUNTY	TOTAL SHEETS	SHEET NO.	SHEET NO. 24 52 SHEETS
F.A.U. 7706	23(B-1)	LOGAN	179	108	
FED. ROAD DIST. NO. 7	ILLINOIS	FED. AID PROJECT-			

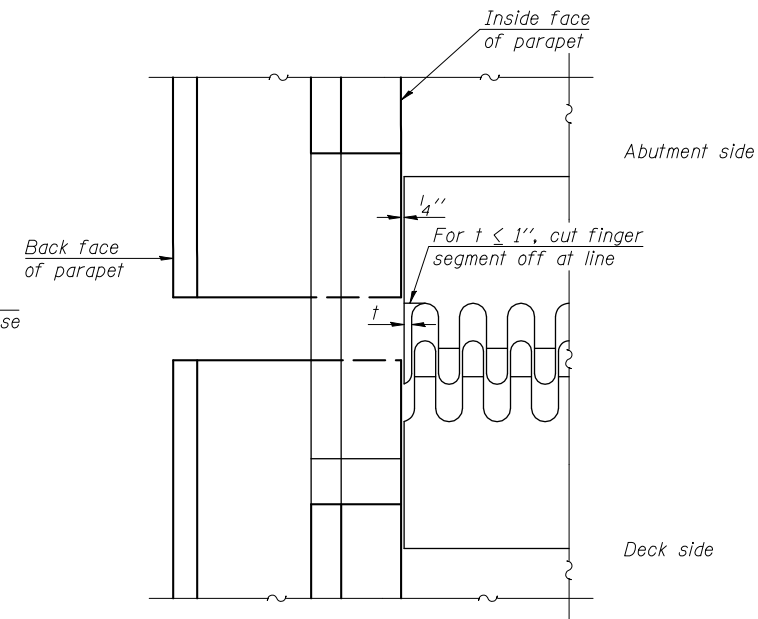
Contract #72789



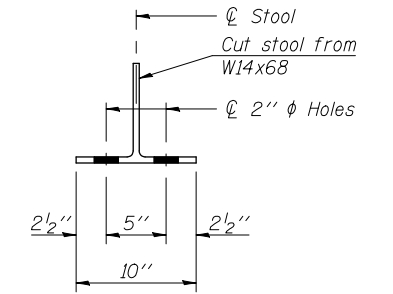
STOOL N-1



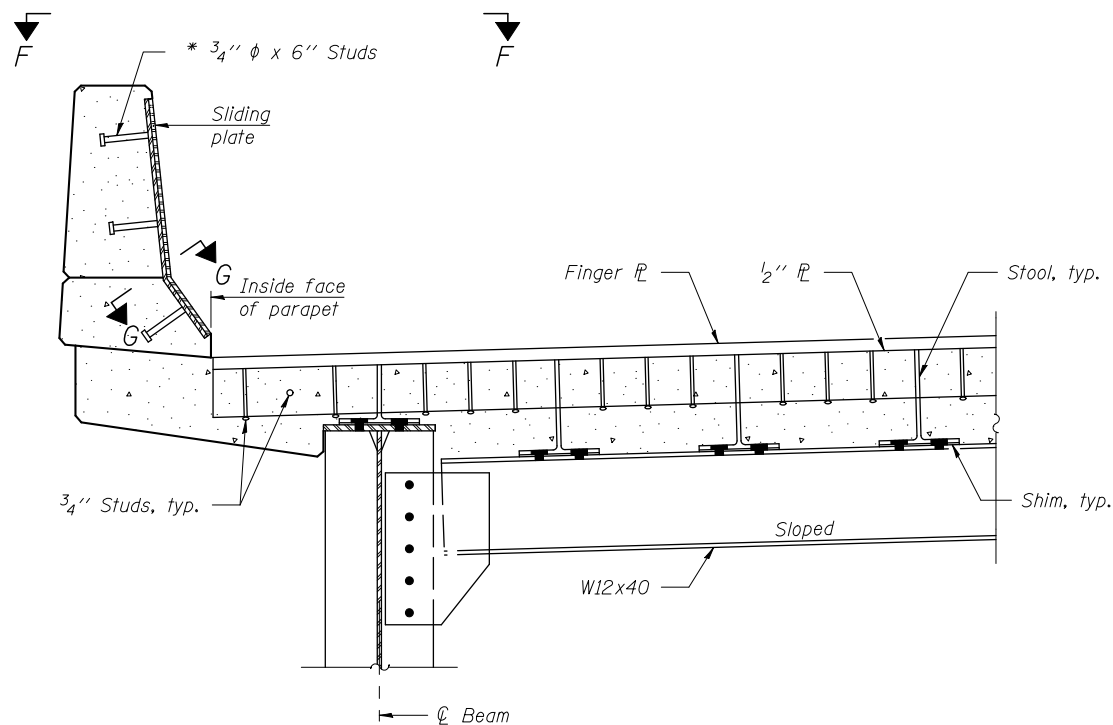
STOOL S-1 AND S-2



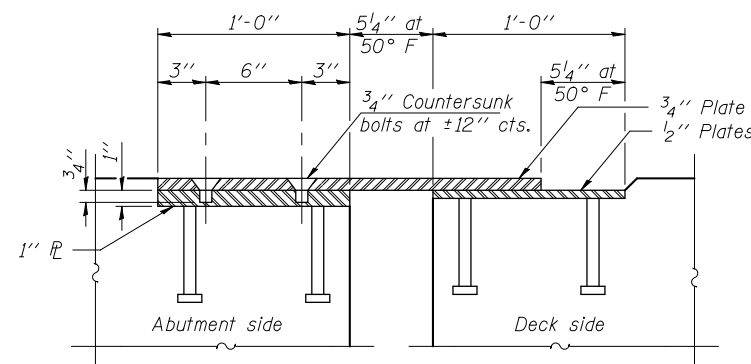
VIEW F-F



VIEW H-H



SECTION C-C



SECTION G-G

BILL OF MATERIAL

Item	Unit	Quantity
Finger Plate Expansion Joint, 3"	Foot	86
Fabric Reinforced Elastomeric Trough	Foot	90

DESIGNED	JJD
CHECKED	EML
DRAWN	JJD
CHECKED	EML

* Granular or solid flux filled headed studs conforming to Art. 1006.32 of the Standard Specifications.

HORNER & SHIFRIN, INC.
ENGINEERS

FINGER PLATE EXPANSION DEVICE
F.A.U. ROUTE 7706 - SECTION 23(B-1)
LOGAN COUNTY
STATION 99+46.00
STRUCTURE NO. 054-0512