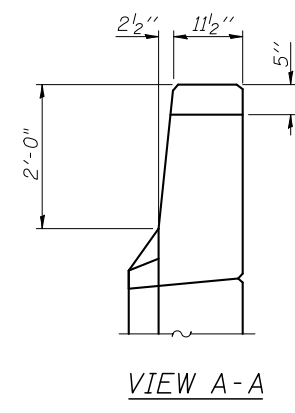


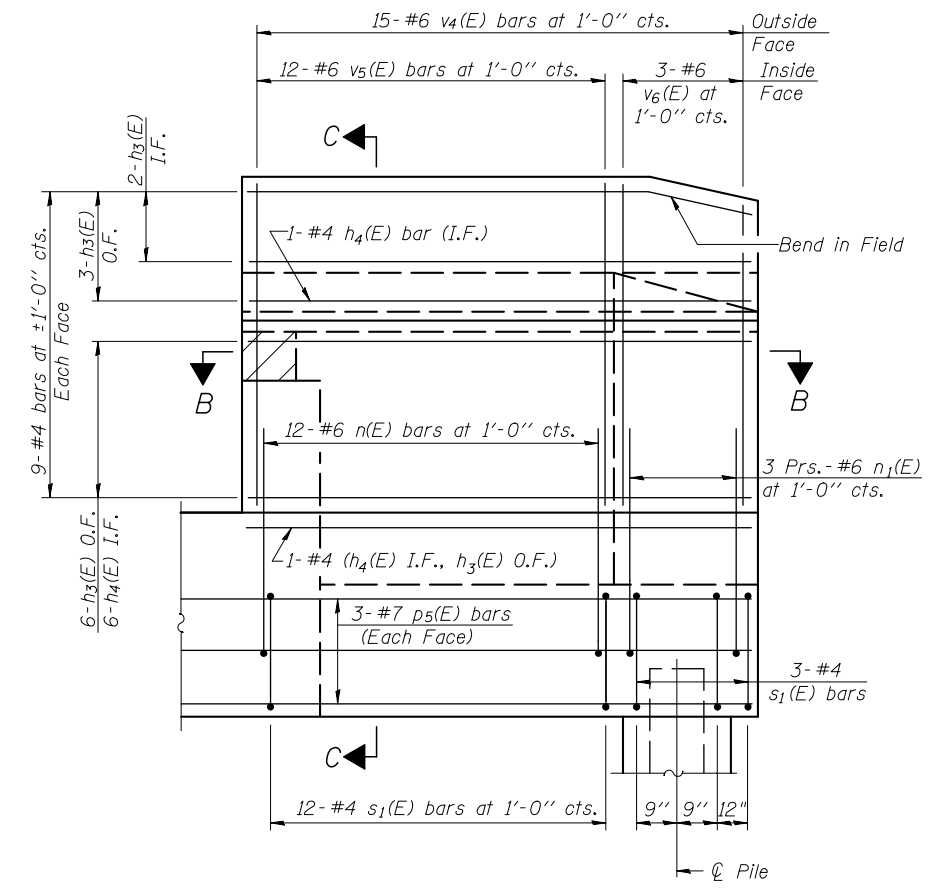
WINGWALL ELEVATION
Showing Dimensions



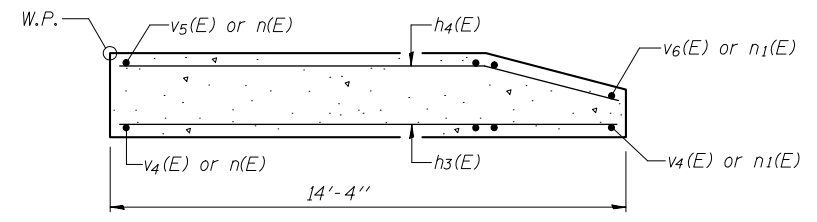
VIEW A-A

DIMENSION SCHEDULE

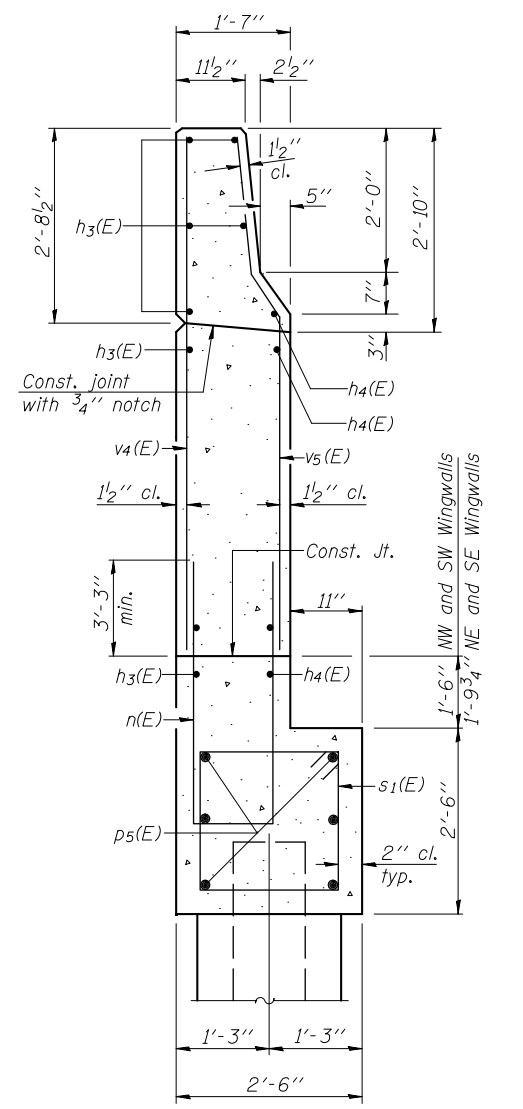
Wingwall	Dim. A	Dim. B	Dim. C
Northwest	5'-6 1/4"	4'-0"	9'-6 1/4"
Northeast	5'-7 3/8"	4'-3 3/4"	9'-11 1/8"
Southwest	5'-7 3/8"	4'-0"	9'-7 3/8"
Southeast	5'-8 1/2"	4'-3 3/4"	10'-0 1/4"



WINGWALL ELEVATION
Showing Reinforcement



SECTION B-B



SECTION C-C

Notes:
Quantity of concrete in end post included with Concrete Superstructure on sheet 18 of 52.
See Sheet 36 of 52 for bar details and Bill of Material.
For Concrete Encasement details, see sheet 45 of 52.

DESIGNED	CME
CHECKED	GJB
DRAWN	TFG
CHECKED	MCB

COOMBE-BLOXDORF P.C.
Engineers / Land Surveyors
Springfield, Illinois
Design Firm License No. 184-002708

ABUTMENT DETAILS
F.A.U. ROUTE 7706 - SECTION 23(B-1)
LOGAN COUNTY
STATION 99+46.00
STRUCTURE NO. 054-0512