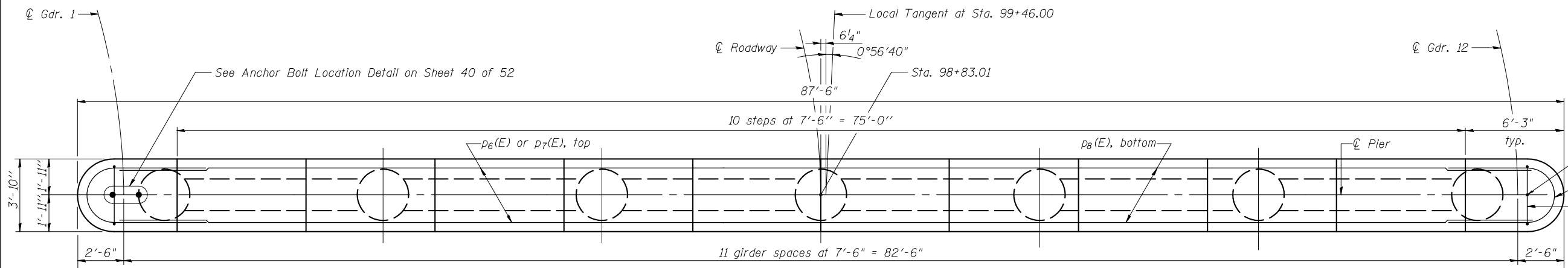
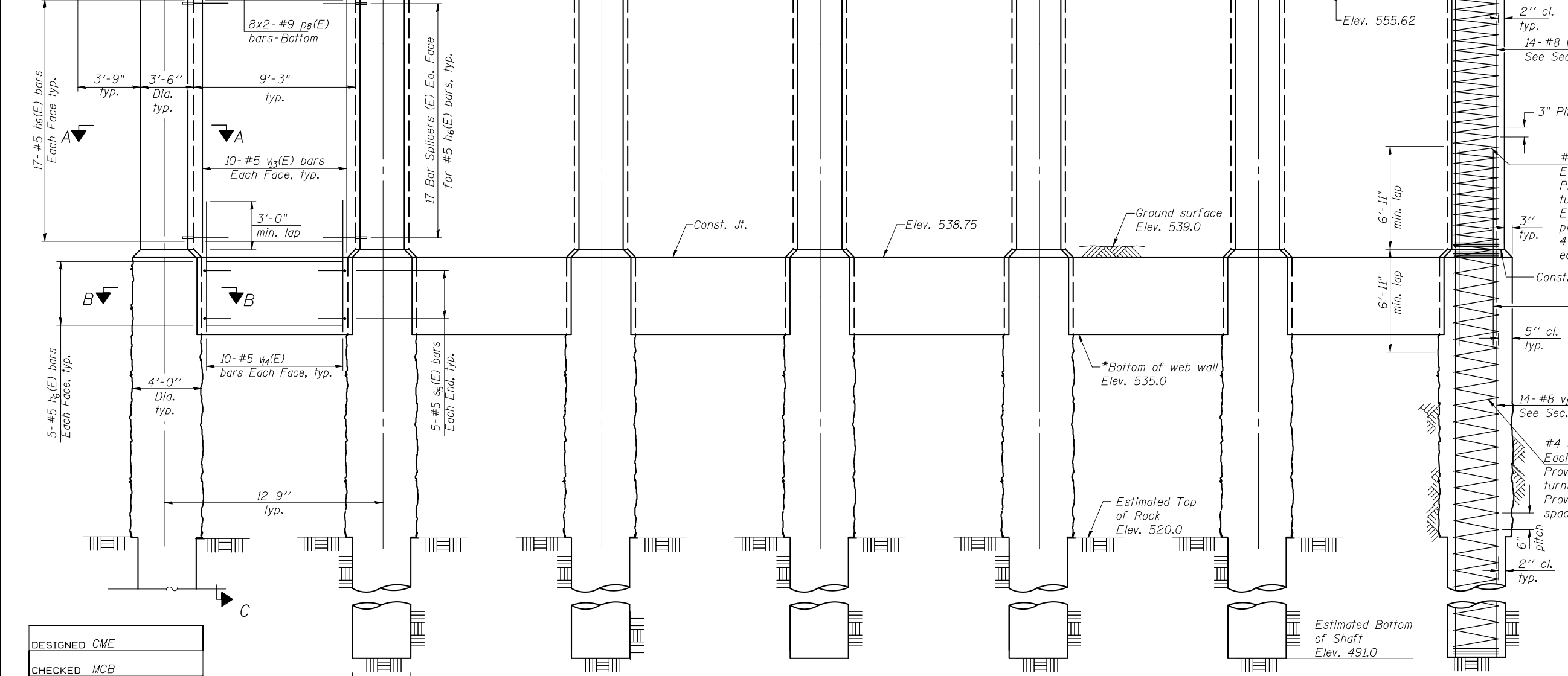
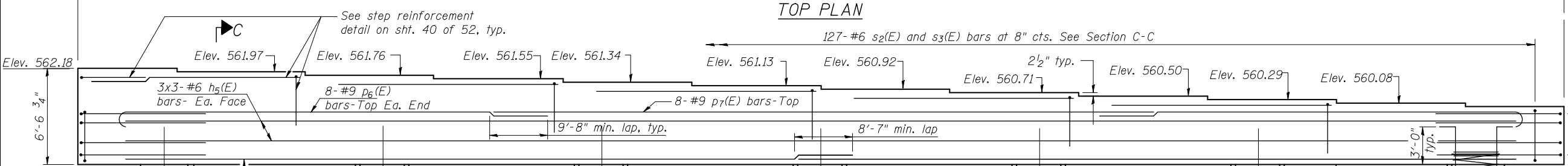


Contract #72789



NOTES

Cast steps monolithically with cap.
Space cap reinforcement to miss anchor bolts.
Minimum lap for spirals = 2'-7"
Concrete within limits of Drilled Shaft in Rock at each shaft location shall be poured within 24 hours of rock excavation for that shaft.
See Sheet 40 of 52 for Sections A-A, B-B and C-C.
See Sheet 40 of 52 for bar details and Bill of Material.
Bars indicated thus 3x3-#6 etc. indicates 3 lines of bars with 3 lengths per line.



2" cl. typ.
14-#8 v2(E) bars
See Sec. A-A
3" Pitch
#4 sp3(E) spiral
Each Column
Provide 1/2 extra turns top and bottom.
Extend spiral 2" into pier cap. Provide min. 4-#4 spacers or equivalent.
3" typ.
Const. Joint
14-#8 v8(E) bars.
Lap with v11 and v2(E) bars.
5" cl. typ.
14-#8 v11 bars
See Sec. B-B
#4 sp2 spiral
Each Shaft
Provide 1/2 extra turns top and bottom.
Provide min. 4-#4 spacers or equivalent.
6" pitch
2" cl. typ.

MIN BAR LAP
#6 bars = 4'-5"

DESIGNED	CME
CHECKED	MCB
DRAWN	TFG
CHECKED	MCB

ELEVATION
(Looking South)

*If a portion of the drilled shaft web walls is under water, reinforcement may be placed underwater into forms. Concrete shall be tremied according to Article 503.08 of the Standard Specifications to an elevation of 1'-0" above the water line at the time of construction.

COOMBE-BLOXDORF P.C.
Engineers / Land Surveyors
Springfield, Illinois
Design Firm License No. 184-002708

PIER 2
F.A.U. ROUTE 7706 - SECTION 23(B-1)
LOGAN COUNTY
STATION 99+46.00
STRUCTURE NO. 054-0512