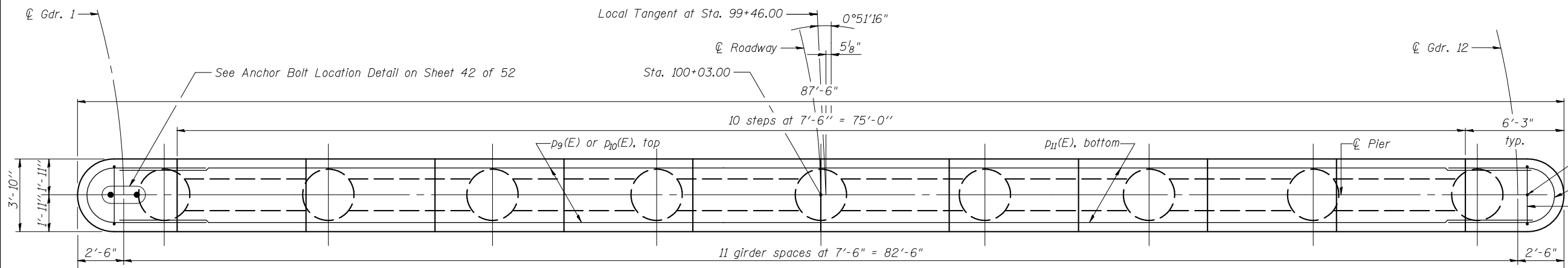
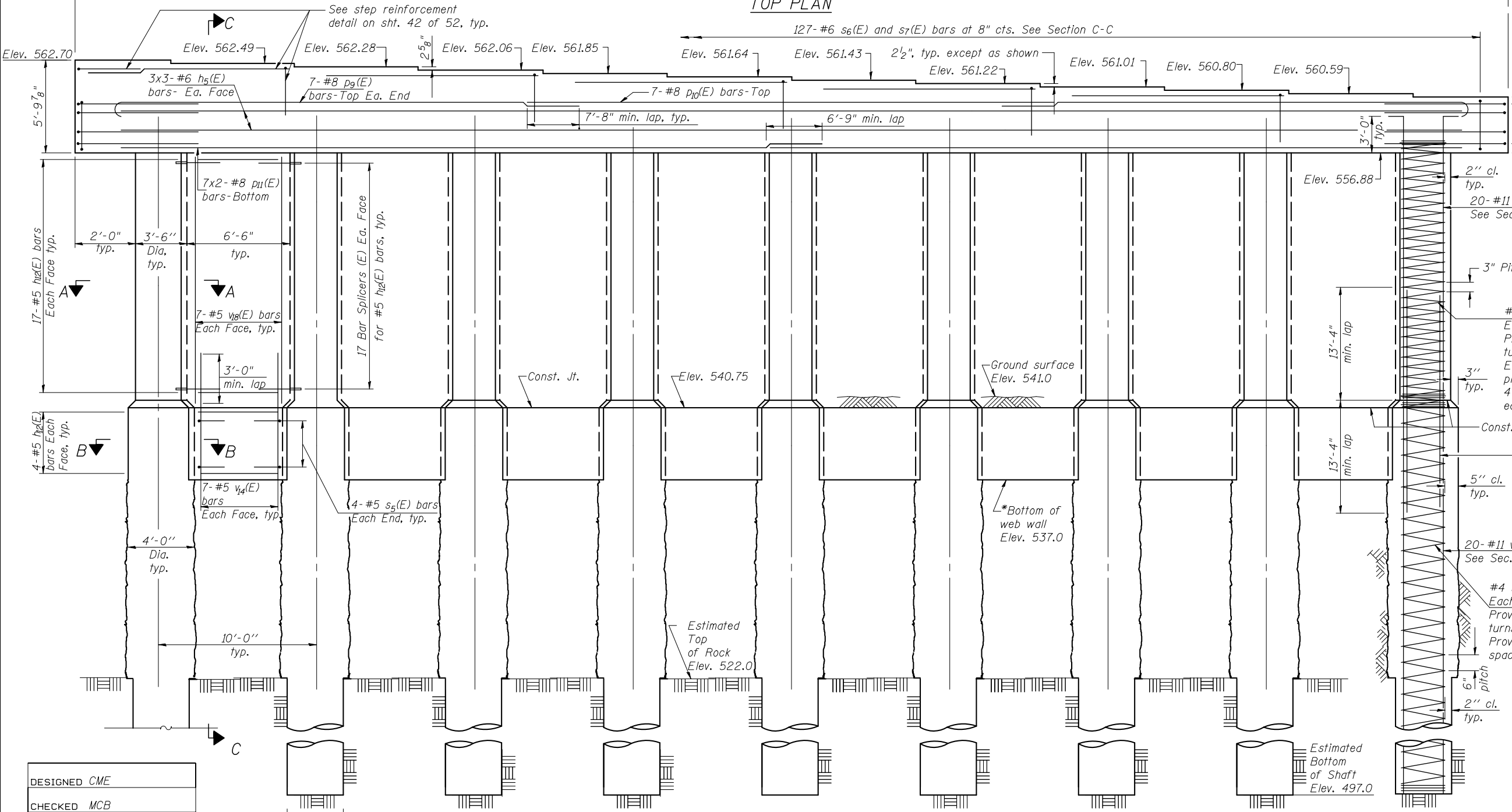


ROUTE NO.	SECTION	COUNTY	TOTAL SHEETS	SHEET NO.	SHEET NO. 41
F.A.U. 7706	23(B-1)	LOGAN	179	125	52 SHEETS
FED. ROAD DIST. NO. 7	ILLINOIS	FED. AID PROJECT-			

Contract #72789



**TOP PLAN**



**NOTES**

- Cast steps monolithically with cap.
- Space cap reinforcement to miss anchor bolts.
- Minimum lap for spirals = 2'-7"
- Concrete within limits of Drilled Shaft in Rock at each shaft location shall be poured within 24 hours of rock excavation for that shaft.
- See Sheet 42 of 52 for Sections A-A, B-B and C-C.
- See Sheet 42 of 52 for bar details and Bill of Material.
- Bars indicated thus 3x3-#6 etc. indicates 3 lines of bars with 3 lengths per line.

**MIN BAR LAP**  
#6 bars = 4'-5"

DESIGNED	CME
CHECKED	MCB
DRAWN	TFG
CHECKED	MCB

**ELEVATION**  
(Looking South)

\*If a portion of the drilled shaft web walls is under water, reinforcement may be placed underwater into forms. Concrete shall be tremied according to Article 503.08 of the Standard Specifications to an elevation of 1'-0" above the water line at the time of construction.

**COOMBE-BLOXDORF P.C.**  
Engineers/Land Surveyors  
Springfield, Illinois  
Design Firm License No. 184-002708

**PIER 3**  
F.A.U. ROUTE 7706 - SECTION 23(B-1)  
LOGAN COUNTY  
STATION 99+46.00  
STRUCTURE NO. 054-0512