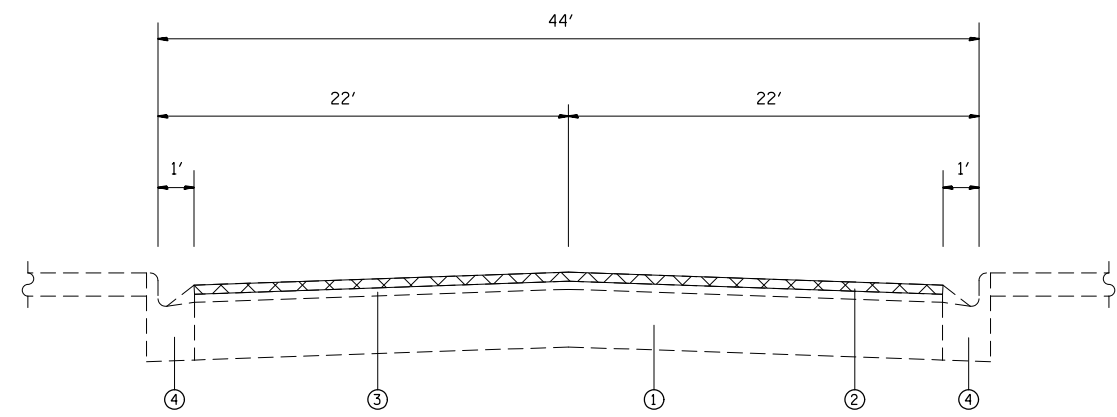
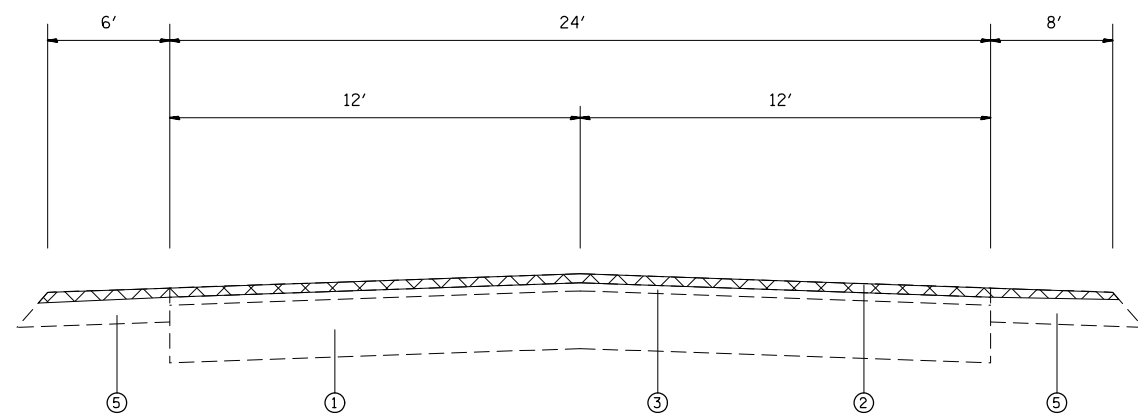


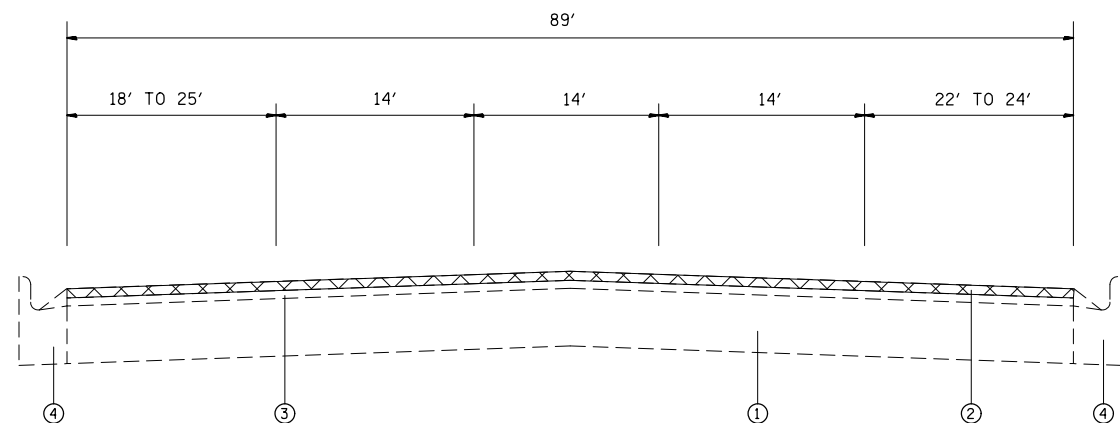
IL ROUTE 3
EXISTING CROWN SECTION
STA. 851+05 TO STA. 864+57



IL ROUTE 3
EXISTING CROWN SECTION
STA. 915+40 TO STA. 923+56



IL ROUTE 3
EXISTING CROWN SECTION
STA. 894+58 TO STA. 912+62



IL ROUTE 3
EXISTING CROWN SECTION
STA. 912+62 TO STA. 915+40

 - HMA SURFACE REMOVAL 2 1/4"

LEGEND

1. EXISTING PCC PAVEMENT
2. EXISTING BITUMINOUS CONCRETE SURFACE COURSE
3. EXISTING BITUMINOUS CONCRETE BINDER COURSE
4. EXISTING CURB AND GUTTER
5. EXISTING HMA SHOULDER
6. PROPOSED HMA SURFACE COURSE, 2 1/4"
7. PROPOSED BITUMINOUS MATERIAL (PRIME COAT)
8. PROPOSED AGGREGATE PRIME COAT
9. PROPOSED HMA SHOULDERS 2 1/4"

FILE NAME =	USER NAME = milleraj	DESIGNED -	REVISED -
et:\pw\work\p\dot\milleraj\d0338686\d876g36-shr-plan.dgn		DRAWN -	REVISED -
	PLOT SCALE = 100.0000' / 1in.	CHECKED -	REVISED -
	PLOT DATE = 5/10/2013	DATE -	REVISED -

STATE OF ILLINOIS
DEPARTMENT OF TRANSPORTATION

EXISTING TYPICALS
SCALE: NTS SHEET NO. 2 OF 2 SHEETS STA. TO STA.

*ST. CLAIR AND MADISON				
F.A.U. RTE.	SECTION	COUNTY	TOTAL SHEETS	SHEET NO.
9166	510RS-3, 90RS-1	*	34	7
FED. ROAD DIST. NO.				ILLINOIS FED. AID PROJECT
CONTRACT NO. 76G36				