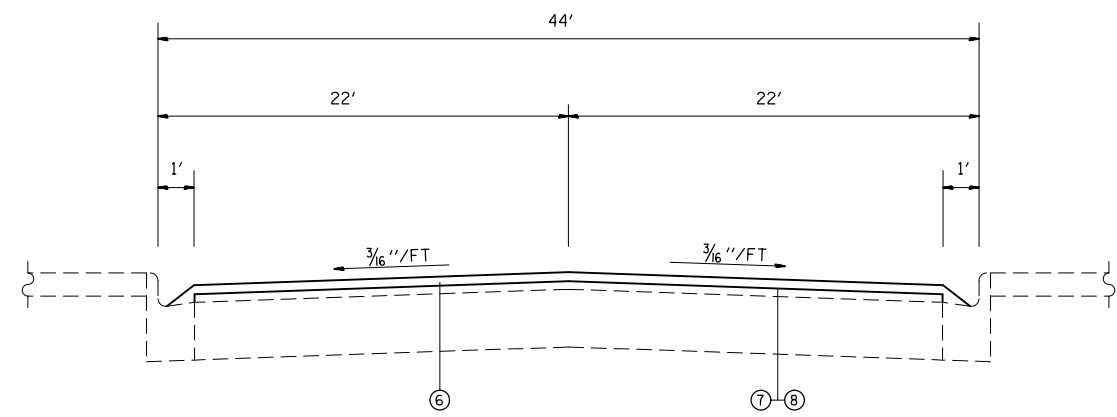
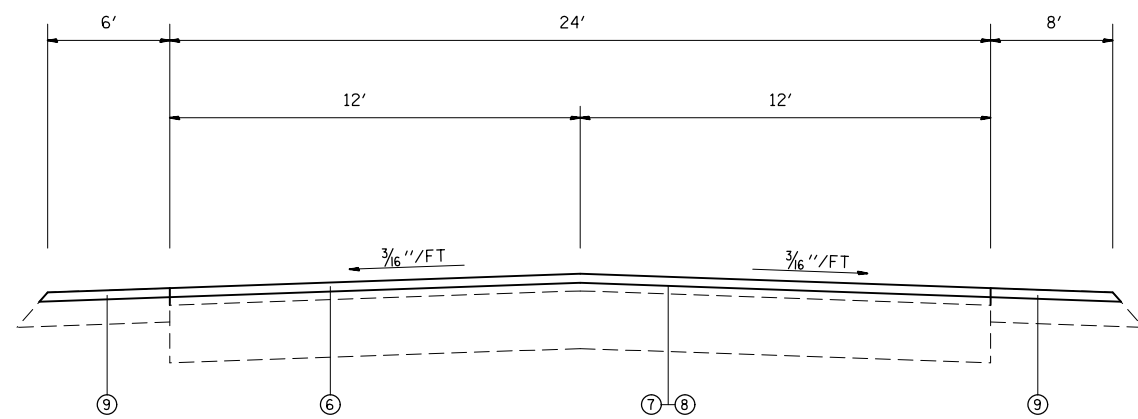


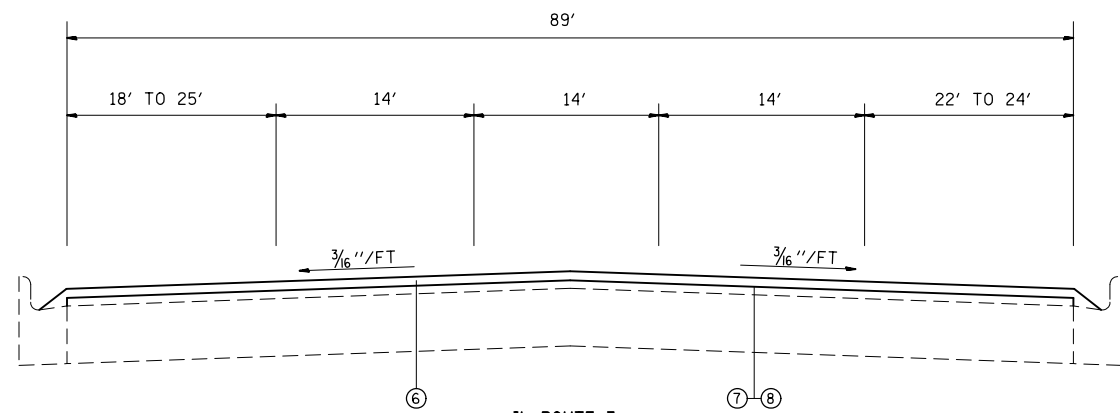
IL ROUTE 3
EXISTING CROWN SECTION
STA. 851+05 TO STA. 864+57



IL ROUTE 3
EXISTING CROWN SECTION
STA. 915+40 TO STA. 923+56



IL ROUTE 3
EXISTING CROWN SECTION
STA. 894+58 TO STA. 912+62



IL ROUTE 3
EXISTING CROWN SECTION
STA. 912+62 TO STA. 915+40

LEGEND

1. EXISTING PCC PAVEMENT
2. EXISTING BITUMINOUS CONCRETE SURFACE COURSE
3. EXISTING BITUMINOUS CONCRETE BINDER COURSE
4. EXISTING CURB AND GUTTER
5. EXISTING HMA SHOULDER
6. PROPOSED HMA SURFACE COURSE, 2 1/4"
7. PROPOSED BITUMINOUS MATERIAL (PRIME COAT)
8. PROPOSED AGGREGATE PRIME COAT
9. PROPOSED HMA SHOULDERS 2 1/4"

*ST. CLAIR AND MADISON

FILE NAME =	USER NAME = millerra	DESIGNED -	REVISED -
et:\pw\work\p\dot\millerra\0338686\d876g36-sh-t-plan.dgn		DRAWN -	REVISED -
	PLOT SCALE = 100.0000' / in.	CHECKED -	REVISED -
	PLOT DATE = 5/10/2013	DATE -	REVISED -

**STATE OF ILLINOIS
DEPARTMENT OF TRANSPORTATION**

PROPOSED TYPICALS

SCALE: NTS SHEET NO. 2 OF 2 SHEETS STA. TO STA.

F.A.U. RTE.	SECTION	COUNTY	TOTAL SHEETS	SHEET NO.
9166	510RS-3, 90RS-1	*	34	9
CONTRACT NO. 76G36				
FED. ROAD DIST. NO. ILLINOIS FED. AID PROJECT				