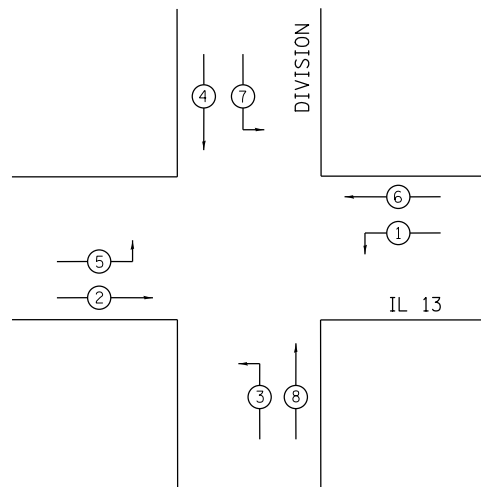
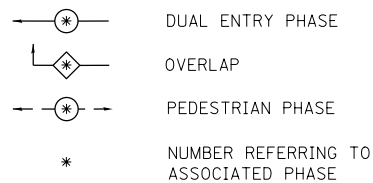


CONTROLLER SEQUENCE

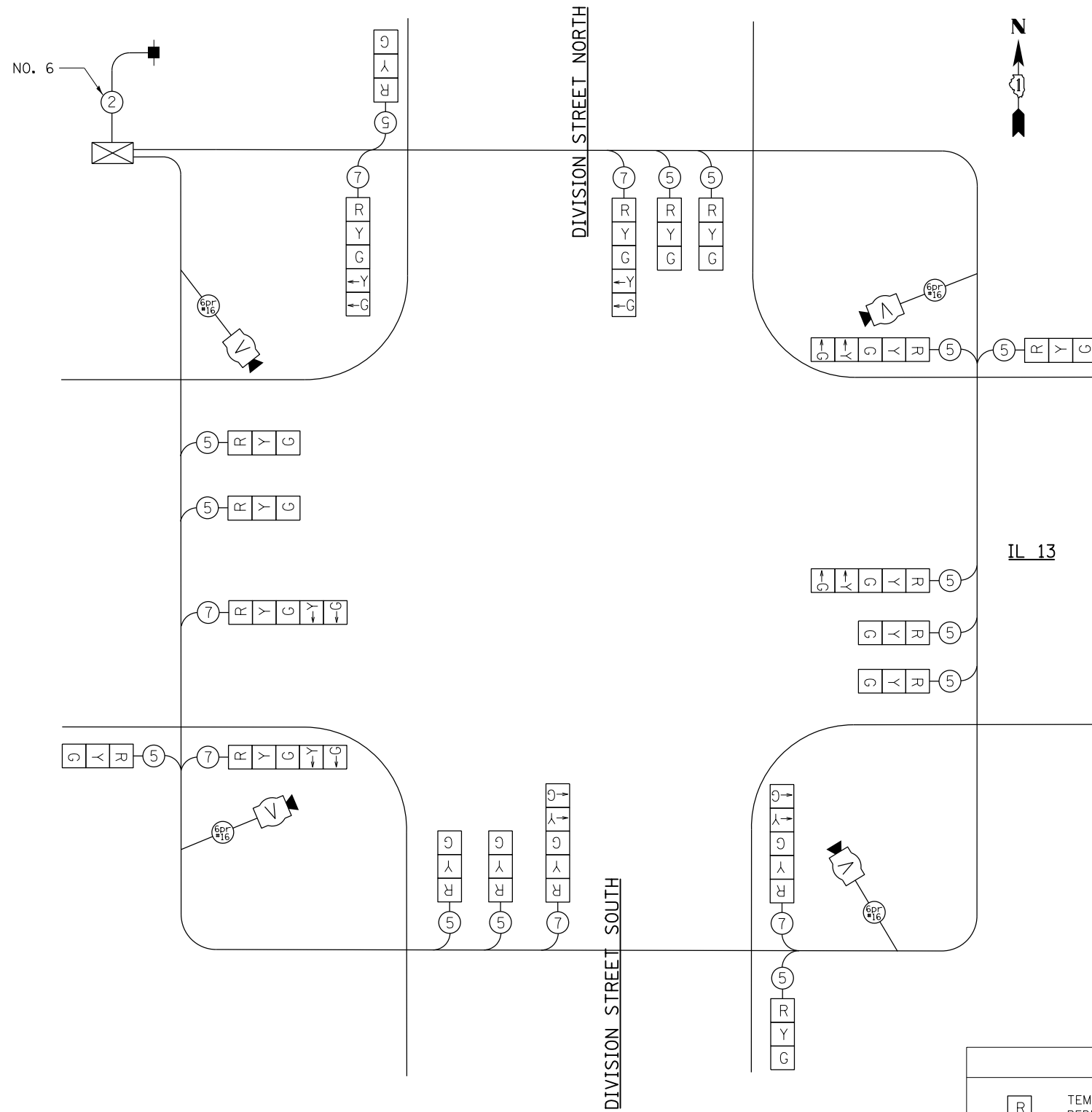


CONTROLLER SEQUENCE LEGEND



NOTES:

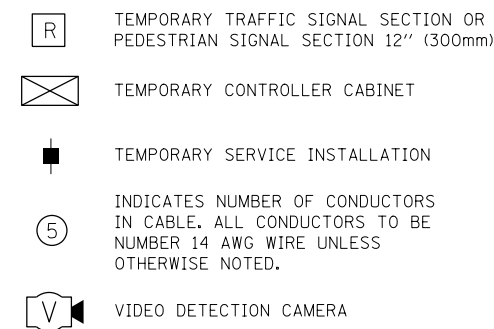
1. THE TRAFFIC SIGNAL CONTROL EQUIPMENT FOR THIS PROJECT SHALL BE 'ECONOLITE' TO MATCH THE EXISTING ADJACENT SYSTEM.
2. THE SECOND LANE OF THE FINAL DUAL LEFT TURN LANES SHALL NOT BE OPENED UNDER THE TEMPORARY TRAFFIC SIGNAL CONTROL.



TEMPORARY CABLE PLAN

MAINTENANCE OF TRAFFIC STAGE I, II, III AND IV

TEMPORARY CABLE DIAGRAM LEGEND



I.D.O.T. TRAFFIC SIGNAL INSTALLATION ELECTRICAL SERVICE REQUIREMENTS					
TYPE	NO. LAMPS	WATTAGE		% OPERATION	TOTAL WATTAGE
		INCAND.	LED		
SIGNAL (RED)	16		17	0.50	136
(YELLOW)	16		25	0.25	100
(GREEN)	16		15	0.25	60
ARROW (YELLOW)	8		12	0.10	9.6
ARROW (GREEN)	8		12	0.10	9.6
PED. SIGNAL	0		25	1.00	0
CONTROLLER	1		100	1.00	100
VIDEO SYSTEM	1		15	1.00	15
TOTAL =					430.2

ENERGY SUPPLY CONTACT: JOE REINHARD
 PHONE: 888-659-4540
 COMPANY: AMEREN ILLINOIS