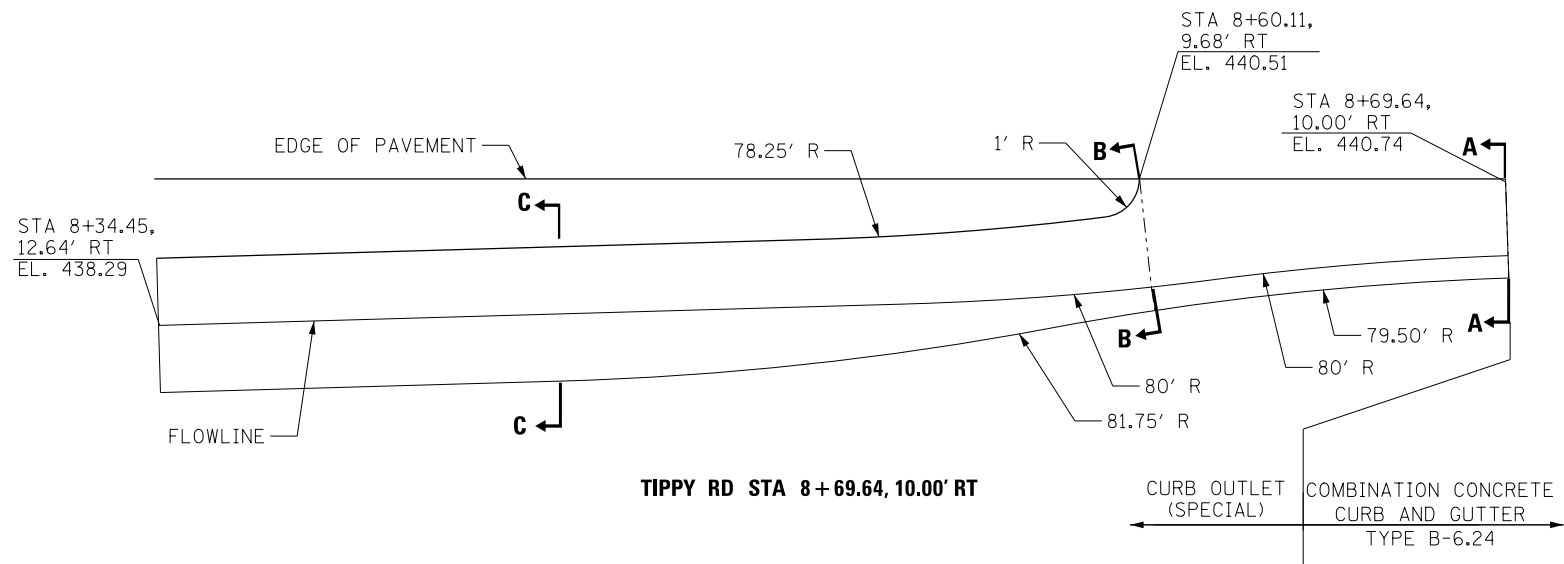
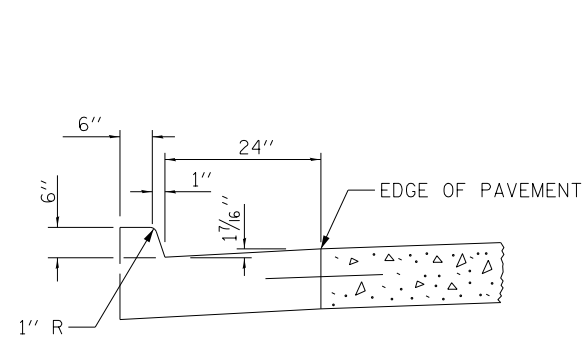


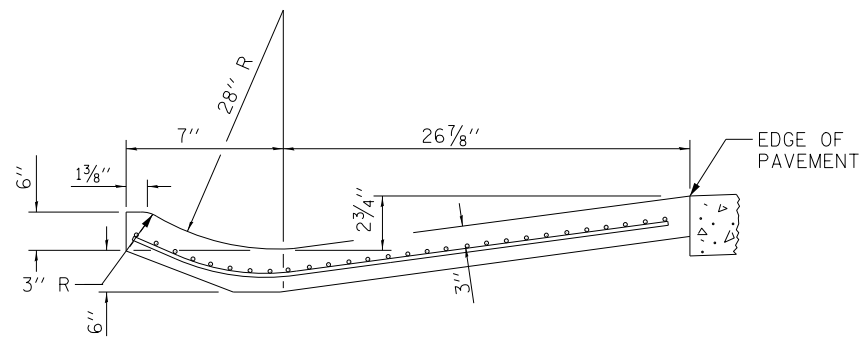
TIPPY RD STA 8+04.75, 8.47' LT



TIPPY RD STA 8+69.64, 10.00' RT



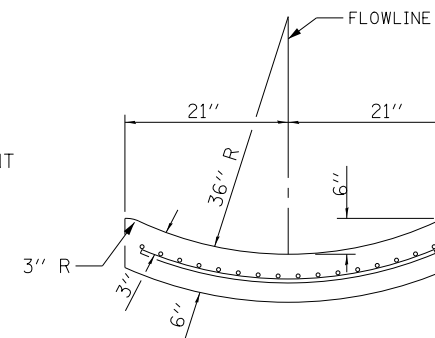
SECTION A-A



SECTION B-B

TIPPY RD CURB OUTLET

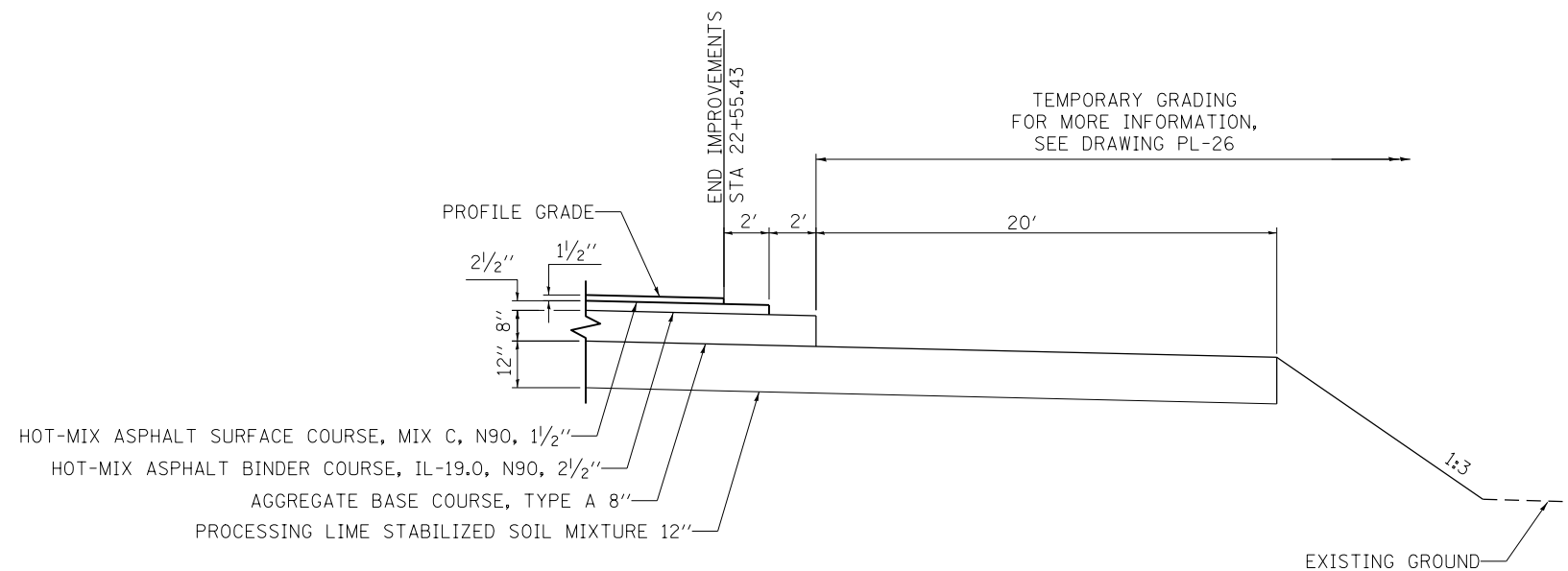
NOT TO SCALE



SECTION C-C

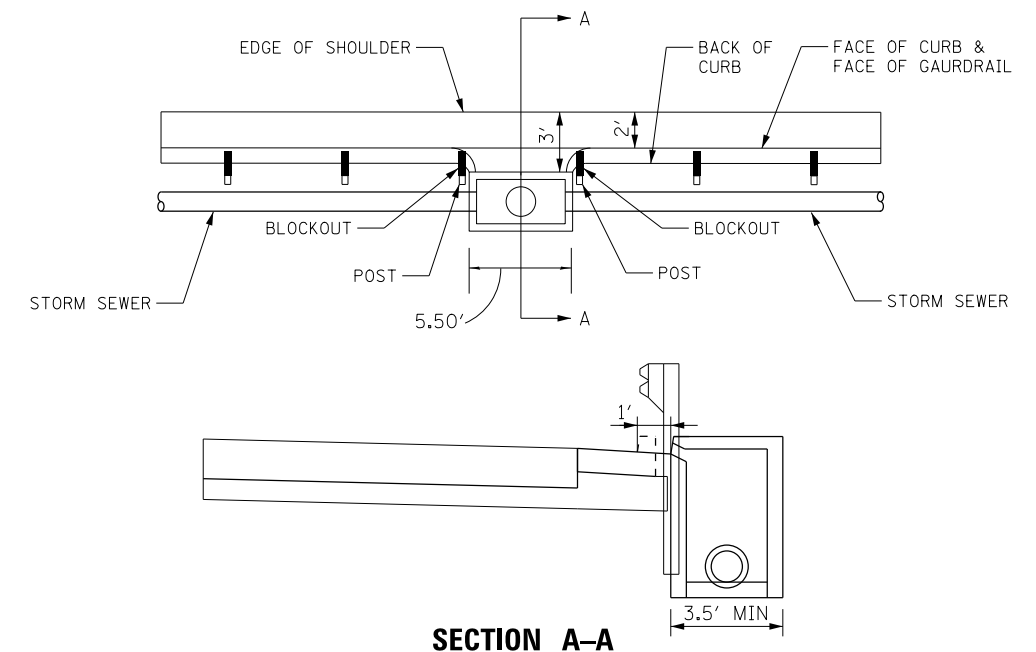
NOTES:

- FOR CURB OUTLET REINFORCEMENT BAR INFORMATION, SEE STANDARD 606001 AND STANDARD 606006.
- CURB OUTLETS TO BE PAID FOR AS CLASS SI CONCRETE (OUTLET) FOR ENTIRE LIMITS AS SHOWN IN DETAIL.



NORTH FRONTAGE RD
END PROPOSED PAVEMENT DETAIL

NORTH FRONTAGE RD, STA 22+55.43
NOT TO SCALE



SECTION A-A

INLETS, SPECIAL
TO APPLY: IN GR AREA
INLET 25, 27, 28, 502, 35, 39, 42, 43, 47
NOT TO SCALE

NOTES:

- FOR STEEL PLATE BEAM GUARDRAIL & POST SPACING, SEE STANDARD 630001-10.
- FOR INLETS, SPECIAL CONSTRUCTION DETAIL, SEE DN. DD-01.
- GUTTER EXTENSION TO BE INCLUDED IN CURB AND GUTTER M-4.24.