

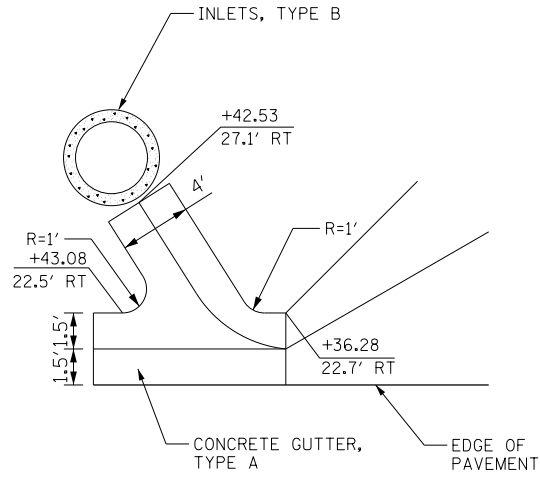
DIVISION ST SOUTH CURB OUTLETS

STA 2+94 LT

NOT TO SCALE

NOTES:

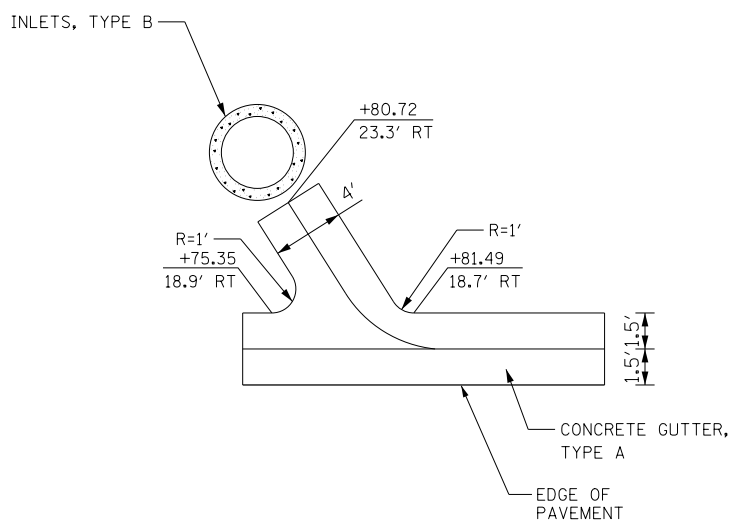
1. FOR CURB OUTLET REINFORCEMENT BAR INFORMATION, SEE STANDARD 606001 AND STANDARD 606006.
2. CURB OUTLET TO BE PAID FOR AS CLASS SI CONCRETE (OUTLET) FOR ENTIRE LIMITS AS SHOWN IN DETAIL.



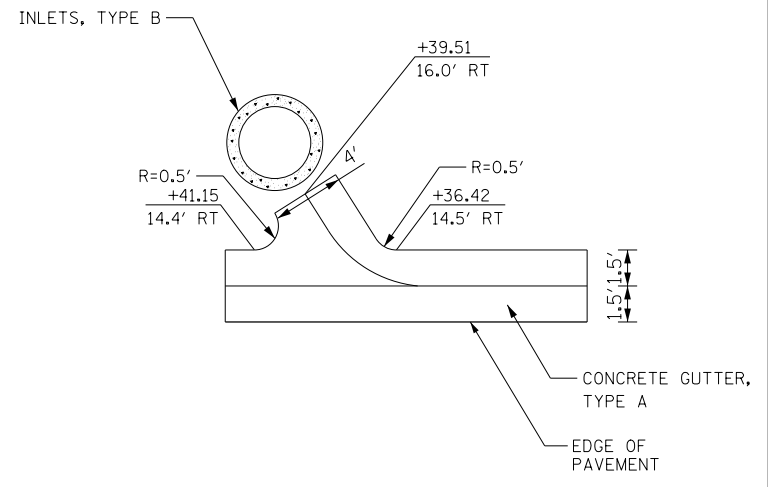
STA 13+39 RT

DIVISION ST SOUTH CURB OUTLETS

NOT TO SCALE



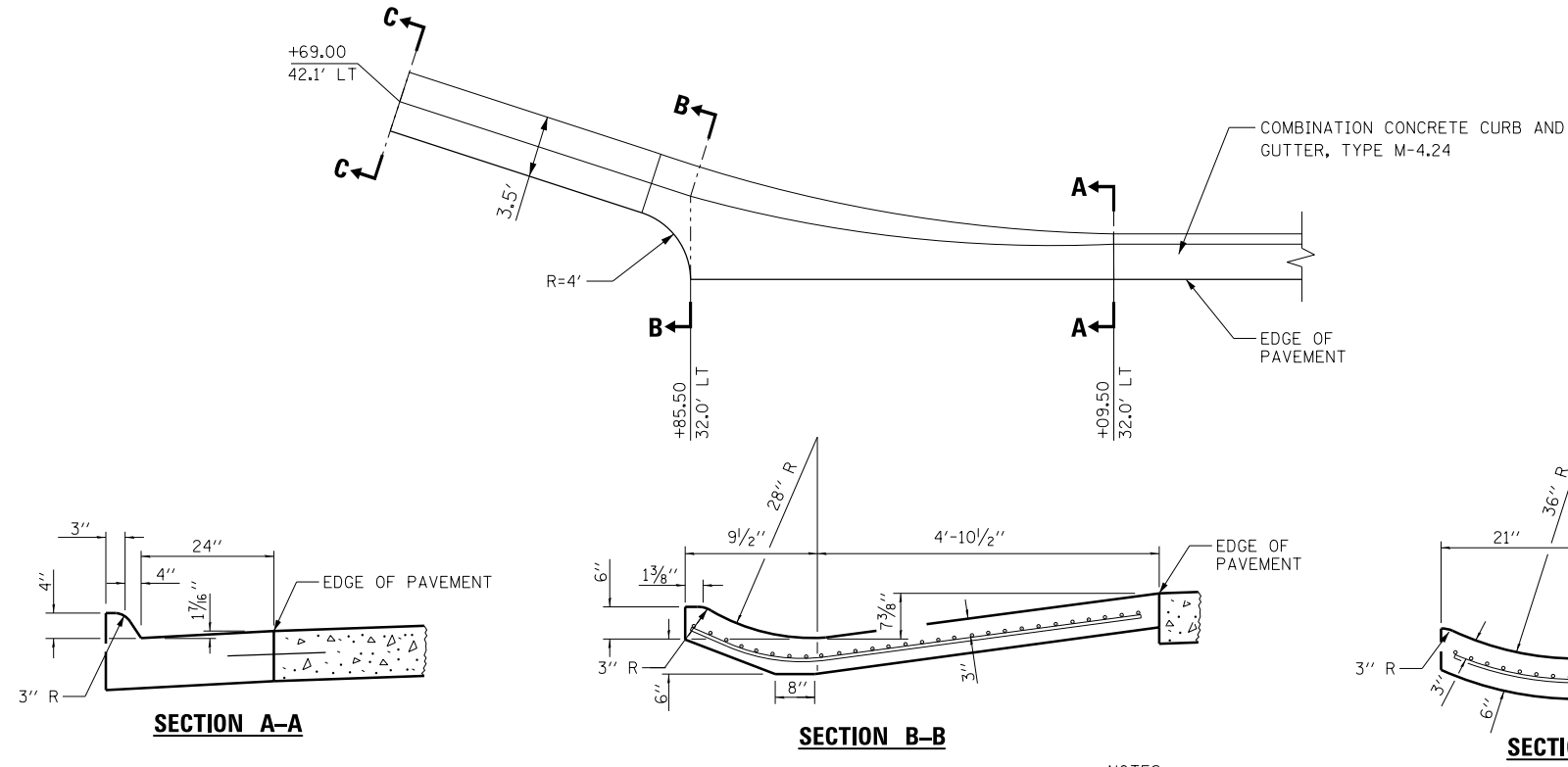
STA 14+78 RT



STA 16+41 RT

NOTES:

1. FOR CURB OUTLET REINFORCEMENT BAR INFORMATION, SEE STANDARD 606101.
2. CURB OUTLETS TO BE INCLUDED IN CONCRETE GUTTER, TYPE A.



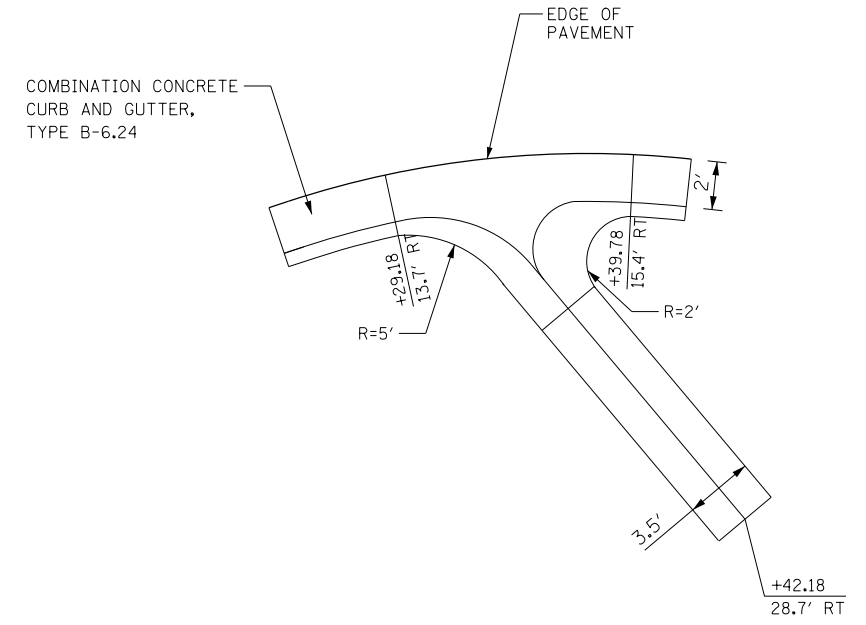
IL 13 WB CURB OUTLET

STA 442+90 LT

NOT TO SCALE

NOTES:

1. FOR CURB OUTLET REINFORCEMENT BAR INFORMATION, SEE STANDARD 606001 AND STANDARD 606006.
2. CURB OUTLET TO BE PAID FOR AS CLASS SI CONCRETE (OUTLET) FOR ENTIRE LIMITS AS SHOWN IN DETAIL.



BRENTWOOD DR CURB OUTLET

STA 9+35 RT

NOT TO SCALE

NOTES:

1. FOR CURB OUTLET REINFORCEMENT BAR INFORMATION, SEE STANDARD 606001 AND STANDARD 606006.
2. CURB OUTLET TO BE PAID FOR AS CLASS SI CONCRETE (OUTLET) FOR ENTIRE LIMITS AS SHOWN IN DETAIL.