

STATE OF ILLINOIS
DEPARTMENT OF TRANSPORTATION
DIVISION OF HIGHWAYS
**PLANS FOR PROPOSED
FAU ROUTE 9290
CITY OF BELLEVILLE
MCCLINTOCK AVE. STREET IMPROVEMENTS**
SECTION 05-00209-00-PV
PROJECT NO. M-5011(366)
JOB NO. C-98-313-12
ST. CLAIR COUNTY, IL

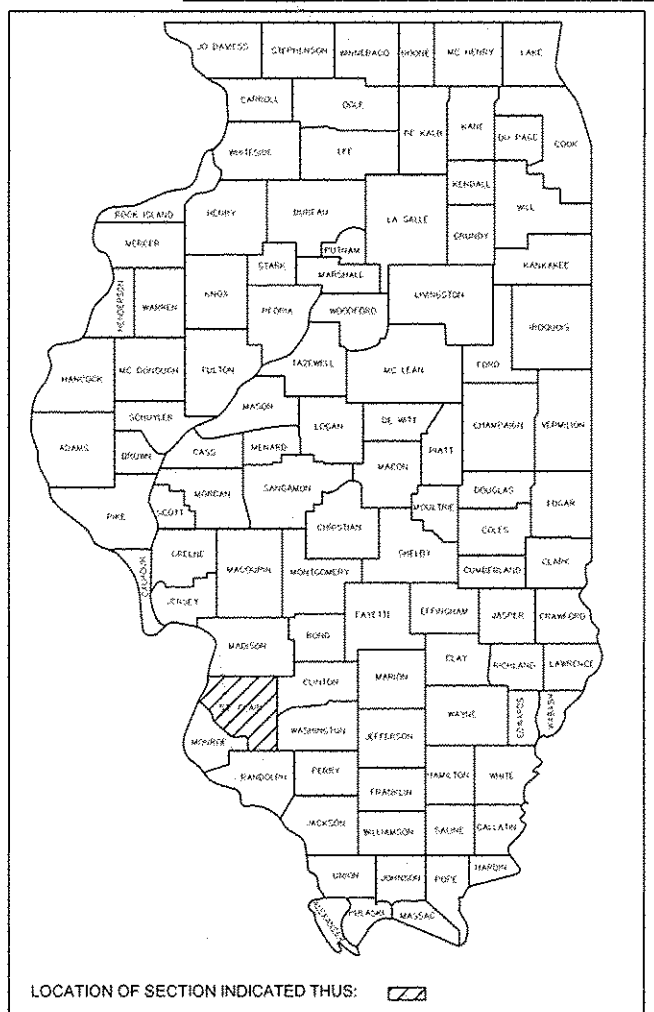
F.A.U. RTE	SECTION	COUNTY	TOTAL SHEETS	SHEET NO.
0200	05-00209-00-PV	ST. CLAIR	72	01
FEDERAL AID PROJECT		CONTRACT NO. 07531		

INDEX OF SHEETS

- 01 COVER
- 02 GENERAL NOTES
- 03 SUMMARY OF QUANTITIES
- 04-07 TYPICAL SECTIONS
- 08-10 SCHEDULES
- 11 ALIGNMENT AND BENCHMARKS
- 12-20 PLAN AND PROFILE
- 21-22 TRAFFIC CONTROL PLAN
- 23-33 STORM SEWER PLAN AND PROFILE
- 34-38 EROSION CONTROL PLAN
- 39-44 INTERSECTION DETAILS
- 45-49 PAVEMENT MARKING AND SIGNING PLANS
- 50-52 DETAILS
- 53-72 CROSS SECTIONS

STANDARDS

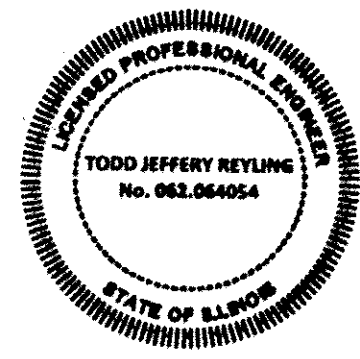
- 000001-06
- 001006
- 280001-07
- 424006-01
- 424011-01
- 424016-01
- 424026-01
- 424031-01
- 542301-03
- 542401-01
- 602301-03
- 602306-03
- 602401-03
- 602416-03
- 602601-02
- 602701-02
- 604001-03
- 604006-04
- 604036-02
- 604046-02
- 604091-02
- 606001-05
- 664001-02
- 701901-02
- 720001-01
- 720006-03
- 726001-01
- 780001-03
- 880001-01
- BLR 17-4
- BLR 21-9



SCALES:

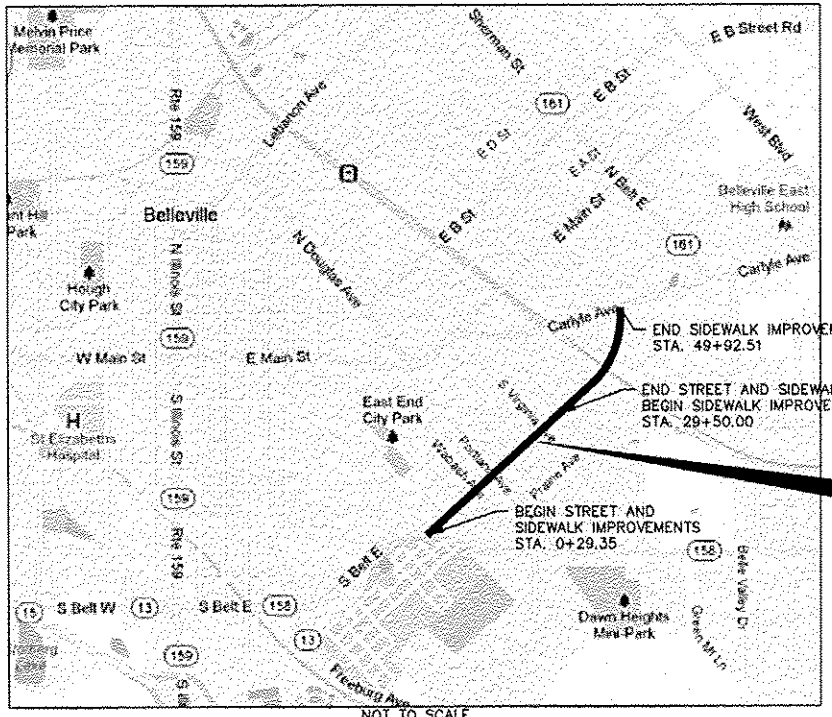
PLAN & PROFILE 1 INCH = 20 FEET
1 INCH = 5 FEET VERTICAL

CROSS SECTIONS 1 INCH = 10 FEET HORIZONTAL
1 INCH = 5 FEET VERTICAL

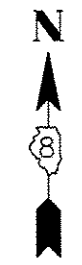


TODD J. REYLING
LICENSE NO. 062-064054

DATE: 5-24-13
EXPIRES: 11-30-2013



PROJECT LOCATION



NOT TO SCALE

LENGTH OF PROJECT

NET LENGTH - ROADWAY RECONSTRUCTION = 2920.65' (0.55 MILES)
SIDEWALK EXTENSION = 2042.51' (0.39 MILES)
TOTAL NET LENGTH = 4963.16' (0.94 MILES)

CURRENT YEAR (2013) ADT - McCLINTOCK (MASCOUTAH TO WABASH): 5,800
(WABASH TO MCKINLEY): 6,600
(MCKINLEY TO ROBIN HILL): 8,600
(ROBIN HILL TO CARLYLE): 9,000

FUNCTIONAL CLASSIFICATION: COLLECTOR-URBAN
DESIGN SPEED: 30 MPH

(J.U.L.I.E.)
JOINT UTILITY LOCATION INFORMATION FOR
EXCAVATION 1-800-892-0123

GRAPHIC SCALES TO BE USED ARE SHOWN
ACCORDINGLY ON EACH PLAN SHEET

STATE OF ILLINOIS
DEPARTMENT OF TRANSPORTATION
DIVISION OF HIGHWAYS

APPROVED May 24th 2013
Mark W. Eckert
CITY OF BELLEVILLE, MAYOR

PASSED June 6 2013
[Signature]
DISTRICT 8 ENGINEER OF LOCAL ROADS & STREETS

RELEASING FOR BID
BASED ON LIMITED
REVIEW June 6 2013
[Signature]
DEPUTY DIRECTOR OF HIGHWAYS, REGION 5 ENGINEER

PRINTED BY AUTHORITY OF THE STATE OF ILLINOIS

Kaskaskia
Engineering Group, LLC

208 East Main Street, Suite 100
Belleville, Illinois 62220
618.233.5877 phone
618.233.5977 fax
www.kaskaskiaeng.com

PROFESSIONAL REGISTRATIONS
Illinois Professional Design Firm
Professional Engineering Group

LICENSE NO.
184.004773
20-5080586

GENERAL NOTES

- THE ILLINOIS DEPARTMENT OF TRANSPORTATION (IDOT) HIGHWAY STANDARDS WITH THE REVISION NUMBER LISTED ON THE COVER SHEET OF THE PLANS SHALL APPLY TO THIS PROJECT. FOR CODED PAY ITEM DESCRIPTIONS, INCIDENTAL ITEMS, AND ALL MATERIAL SPECIFICATIONS, PLEASE REFER TO THE LATEST EDITION OF THE IDOT STANDARD SPECIFICATIONS FOR ROAD AND BRIDGE CONSTRUCTION.
- IT IS NOT WARRANTED THAT THESE DRAWINGS CONTAIN COMPLETE INFORMATION REGARDING EASEMENTS, RESERVATIONS, RESTRICTIONS, RIGHT-OF-WAYS, BUILDING LINE SETBACKS, AND OTHER ENCUMBRANCES. FOR COMPLETE INFORMATION, A TITLE OPINION OR COMMITMENT FOR TITLE INSURANCE SHOULD BE OBTAINED AND THOROUGHLY REVIEWED.
- ALL WORKMANSHIP, EQUIPMENT, MATERIALS, AND TESTING SHALL CONFORM TO THE APPLICABLE REQUIREMENTS AND SPECIFICATIONS OF MUNICIPAL, COUNTY, STATE, COMMERCIAL ENTITY, AND FEDERAL JURISDICTIONS AND AGENCIES HAVING AUTHORITY OVER, OR INVOLVEMENT WITH, THIS PROJECT.
- ANY FACILITIES WHICH ARE THE PROPERTY OF ANY PUBLIC UTILITY LOCATED WITHIN THE LIMITS OF CONSTRUCTION, SHALL BE RELOCATED OR ADJUSTED BY THEIR RESPECTIVE OWNERS. THE CONTRACTOR SHALL NOTIFY AND COOPERATE WITH THE OWNERS OF ANY SUCH FACILITY IN THEIR REMOVAL AND RELOCATION OPERATIONS, IN ORDER THAT THE UTILITY'S OPERATIONS AND THE CONSTRUCTION OF THIS PROJECT MAY PROGRESS IN A REASONABLE MANNER.
- THE TYPE, SIZE, AND LOCATION OF UTILITIES, AS DELINEATED IN THESE TOPOGRAPHIC LAND SURVEY DOCUMENTS AND/OR CIVIL ENGINEERING DESIGN DOCUMENTS, HAVE BEEN DETERMINED BY REVIEW OF AVAILABLE EXISTING "AS-BUILT" OR RECORD DRAWINGS, FIELD SURVEY OF J.U.L.I.E. MARKED UTILITIES, OR FIELD SURVEY OF ABOVE GROUND SURFACE UTILITY FEATURES. THE OWNER AND ENGINEER HAVE NOT UNDERTAKEN SUBSURFACE EXPLORATORY INVESTIGATIONS TO CONFIRM OR VERIFY THE UTILITIES SHOWN ON THESE DOCUMENTS; THEREFORE THEIR EXACT LOCATION, SIZE, AND FUNCTION MUST BE CONSIDERED APPROXIMATE AND MUST BE FIELD CONFIRMED BY THE CONTRACTOR. ILLINOIS LAW REQUIRES A MINIMUM 48-HOUR NOTICE TO ALL UTILITY COMPANIES BEFORE DIGGING. FIELD LOCATIONS OF UNDERGROUND FACILITIES MAY BE OBTAINED BY CALLING THE J.U.L.I.E. SYSTEM AT 800-892-0123.
- THE ENGINEER AND OWNER FURTHER DO NOT WARRANT THAT ALL UTILITIES HAVE BEEN ILLUSTRATED ON THESE DOCUMENTS. THE CONTRACTOR IS SOLELY RESPONSIBLE FOR CONTACTING J.U.L.I.E. FOR FIELD VERIFICATION OF ALL UTILITIES ON THE SITE PRIOR TO COMMENCEMENT OF CONSTRUCTION. IF THE CONTRACTOR DETERMINES THAT A SUBSTANTIAL DISCREPANCY EXISTS BETWEEN FIELD VERIFIED UTILITIES AND THESE PLANS (WHICH WOULD SIGNIFICANTLY AFFECT THE FUNCTION, COST, OR PERFORMANCE OF THE PROJECT) THE CONTRACTOR SHALL IMMEDIATELY CONTACT THE ENGINEER FOR CLARIFICATION AND PROJECT DIRECTION.
- THE FOLLOWING UTILITY COMPANIES MAY HAVE FACILITIES LOCATED WITHIN THE LIMITS OF CONSTRUCTION WHICH MAY REQUIRE ADJUSTMENT, RELOCATION OR REMOVAL. ALL ARE MEMBERS OF J.U.L.I.E., UNLESS NOTED OTHERWISE.

CITY OF BELLEVILLE (SEWER) 450 ENVIRONMENTAL DRIVE BELLEVILLE, ILLINOIS (618) 233-7146	ILLINOIS AMERICAN WATER (WATER) 100 N. WATERWORKS DRIVE BELLEVILLE, ILLINOIS (618) 277-7450
AT&T 317 WEST MAIN ST. BELLEVILLE, ILLINOIS 62220 (618) 277-2288	CHARTER COMMUNICATIONS 314 WEST MAIN STREET BELLEVILLE, ILLINOIS (618) 277-0760
AMEREN IP (GAS & ELECTRIC) 1050 WEST BLVD BELLEVILLE, ILLINOIS (800) 755-5000	
- THE CONTRACTOR SHALL CONFINE HIS/HER OPERATIONS TO THE AREA LOCATED WITHIN THE CONSTRUCTION LIMIT LINES, AS SHOWN ON THE PLANS. ANY AREA DISTURBED BEYOND THESE LIMITS SHALL BE RESTORED TO ITS ORIGINAL CONDITION AT THE CONTRACTOR'S EXPENSE.
- THE CONTRACTOR SHALL NOTE THE LOCATION OF ALL MANHOLES PROJECT LIMITS. APPROPRIATE CARE SHALL BE TAKEN TO PROTECT THESE ITEMS DURING CONSTRUCTION OPERATIONS.
- ALL EROSION CONTROL AND SEDIMENTATION CONTROL MEASURES DETAILED ON THE IMPROVEMENT PLANS SHALL BE THE RESPONSIBILITY OF THE CONTRACTOR TO INSTALL AND MAINTAIN. THE MAINTENANCE OF THESE EROSION CONTROL AND SEDIMENTATION CONTROL MEASURES SHALL BE CONSIDERED INCIDENTAL TO THE DEVICES THEMSELVES. MAINTENANCE SHALL CONTINUE TO BE THE RESPONSIBILITY OF THE CONTRACTOR UNTIL THE OWNER TAKES OWNERSHIP OF THE IMPROVEMENTS. AN NPDES PERMIT IS REQUIRED.

- IT IS THE CONTRACTOR'S RESPONSIBILITY TO INSURE THAT ALL EROSION AND DISPLACED SEDIMENT DOES NOT MIGRATE OFF SITE. IF UNEXPECTED EROSION OR SEDIMENTATION OCCURS OR IF THE EROSION PLAN DOES NOT PROVIDE SUFFICIENT MEASURES TO INSURE OFF-SITE DAMAGE DOES NOT OCCUR, ANY SEDIMENT OR EROSION DAMAGE WHICH OCCURS OFF-SITE SHALL BE REPAIRED BY THE CONTRACTOR AT HIS/HER EXPENSE.
- WHERE TREE REMOVAL CONFLICTS WITH EXISTING UNDERGROUND UTILITIES THE CONTRACTOR SHALL CUT THE TREE OFF AT GROUND LEVEL AND GRIND THE STUMP AS DIRECTED BY THE ENGINEER.
- THE CONTRACTOR SHALL FERTILIZE, SEED AND MULCH ALL EARTH SURFACES DISTURBED BY CONSTRUCTION. IT SHALL BE THE RESPONSIBILITY AND COST OF THE CONTRACTOR TO FERTILIZE, SEED AND MULCH DISTURBED AREAS BEYOND THE RIGHT OF WAY AND TEMPORARY CONSTRUCTION LIMITS. SEE THE SEEDING SCHEDULE FOR ESTIMATED PLAN QUANTITIES.
- THE CONTRACTOR SHALL STAGE ALL WORK IN SUCH A WAY AS TO MAINTAIN INGRESS AND EGRESS TO ALL ABUTTING PROPERTIES AND STREETS AT ALL TIMES DURING CONSTRUCTION AT NO ADDITIONAL PAYMENT.
- THE CONTRACTOR SHALL VERIFY ALL DIMENSIONS AND CONDITIONS IN THE FIELD PRIOR TO ORDERING MATERIALS AND COMMENCING CONSTRUCTION.
- THE OFFSETS TO ALL INLETS AND MANHOLES ARE GIVEN TO THE CENTER OF THE OPENING AT THE BASE OF THE FRAME AND GRATE OR LID.
- THE CONTRACTOR SHALL INCLUDE THE COST OF MAKING CONNECTIONS TO EXISTING DRAINAGE STRUCTURES IN THE CONTRACT UNIT PRICE FOR THE STORM SEWER ITEMS INVOLVED.
- ALL DRAINAGE STRUCTURES CONSTRUCTED, ADJUSTED OR RECONSTRUCTED UNDER THE CONTRACT, SHALL BE CLEANED OF ANY ACCUMULATION OF SILT, DEBRIS OR FOREIGN MATTER AT THE END OF EACH WORKING DAY AND AT THE TIME OF FINAL INSPECTION. THE COST OF THIS WORK WILL NOT BE PAID FOR SEPARATELY, BUT SHALL BE CONSIDERED AS INCLUDED IN THE CONTRACT UNIT PRICES BID FOR THE VARIOUS DRAINAGE STRUCTURE ITEMS INCLUDED IN THE CONTRACT.
- ALL TRAFFIC CONTROL (INCLUDING, BUT NOT LIMITED TO WORK ZONE, TEMPORARY, OR PERMANENT) SHALL BE FURNISHED, INSTALLED, MAINTAINED, RELOCATED, AND/OR REMOVED ACCORDING TO SECTION 701 OF THE LATEST EDITION OF THE IDOT STANDARD SPECIFICATIONS FOR ROAD AND BRIDGE CONSTRUCTION AND THE LATEST EDITION OF THE MANUAL ON UNIFORM TRAFFIC CONTROL DEVICES.
- THE PAVEMENT MARKING LOCATIONS SHOWN IN THE PLANS ARE APPROXIMATE. PROPOSED CROSSWALKS AND STOP BARS SHALL BE ADJUSTED BY THE CONTRACTOR, IF NECESSARY, TO MATCH THE FIELD CONDITIONS AS DIRECTED BY THE ENGINEER.
- ALL SIGNS SHALL BE A MINIMUM OF 4' OR A MAXIMUM OF 5' FROM THE BOTTOM OF THE SIGN TO THE NEAREST EDGE OF ROADWAY PAVEMENT AND 2' FROM THE NEAREST EDGE OF PATH.
- THE CITY OF BELLEVILLE WILL PROVIDE ALL REFERENCE POINTS OR BENCHMARKS AS NEEDED BY THE CONTRACTOR TO CONSTRUCT THE IMPROVEMENTS AS PROPOSED HEREIN. CONTRACTOR SHALL PERFORM THEIR OWN CONSTRUCTION STAKING.
- OPEN STOCKPILING OF BITUMINOUS MIXTURES AT TRANSFER POINTS WILL NOT BE PERMITTED.
- NO COMMITMENTS HAVE BEEN PLEDGED ON THIS PROJECT.
- ALL EXISTING ROADWAY FEATURES SUCH AS PAVEMENT, CURB, SIDEWALK, DRIVEWAY PAVEMENT, CULVERTS, RIPRAP, FENCING, RETAINING WALLS, ETC. WHICH INTERFERE WITH THE PROPOSED CONSTRUCTION SHALL BE REMOVED BY THE CONTRACTOR UNLESS NOTED OTHERWISE ON THE PLANS. ALL MISCELLANEOUS FEATURES WHICH ARE TO BE REMOVED AND FOR WHICH THERE IS NO SPECIFIC PAY ITEM, WILL NOT BE MEASURED SEPARATELY FOR PAYMENT. THE COST OF THIS REMOVAL WORK SHALL BE INCLUDED IN THE CONTRACT UNIT PRICE BID FOR EARTH EXCAVATION.
- IF ASH TREES ARE REMOVED ON THE PROJECT, THE CONTRACTOR SHALL BECOME FAMILIAR WITH AND COMPLY WITH MEASURES SPECIFIED BY THE ILLINOIS DEPARTMENT OF AGRICULTURE (IDOA) TO PREVENT THE SPREAD OF THE EMERALD ASH BORER. THE IDOA INFORMATION FOR ASH TREE REMOVAL CAN BE FOUND ON THE IDOA WEB SITE AT WWW.AGR.STATE.IL.US/EAB.
- PROTECTIVE COAT SHALL BE APPLIED TO CONCRETE CURB AND GUTTER. SEE SCHEDULE.

LEGEND & SYMBOLS

- BENCHMARK
- CONTROL POINT (CONTROL PT)
- EXISTING LIGHT POLE
- EXISTING NON-TRAFFIC SIGN
- EXISTING POWER POLE
- EXISTING TRAFFIC SIGN
- EXISTING TREE
- EXISTING EVERGREEN TREE
- REMOVE EXISTING TREE
- EXISTING TELEPHONE JUNCTION BOX
- EXISTING WATER VALVE
- EXISTING CONTOUR
- EXISTING BURIED ELECTRIC
- EXISTING GAS LINE
- EXISTING SANITARY SEWER
- EXISTING STORM SEWER/CULVERT
- EXISTING AERIAL ELECTRIC
- EXISTING TREELINE
- EXISTING WATERLINE
- EXISTING PROPERTY CORNER
- EXISTING PROPERTY LINE
- IRON BAR
- CONCRETE MONUMENT

208 East Main Street, Suite 100
 Belleville, Illinois 62220
 618.233.5877 phone
 618.233.5877 fax
www.kaskaskiaeng.com

Kaskaskia
 Engineering Group, LLC

PROFESSIONAL REGISTRATIONS
 Illinois Professional Design Firm
 Professional Engineering Group

LICENSE NO.
 184-004773
 20-5080386

CONTRACT No. 97531
 SEC. NO. 05-00209-00-PV

REV.	DATE	DESCRIP.
△		
△		
△		
△		
△		

GENERAL NOTES

PROJECT TITLE:
 MCCLINTOCK AVE. STREET IMPROVEMENTS
 CITY OF BELLEVILLE
 ST. CLAIR COUNTY, IL

DESIGNED BY: TJR	DRAWN BY: JLT	SHEET
CHECKED BY: LDC		02
DATE OF PRELIMINARY: 03/29/2013		
DATE OF FINAL: 05/24/2013		
SHEET NO. 02 OF 72 SHEETS		
PROJECT NUMBER 11-1041		

FILE: P:\11-1041\11-1041-McClintock\10-CADD\Sheet\11-1041-GR AND SCHEDULES.dwg

SUMMARY OF QUANTITIES

CODE NO.	ITEM	UNIT	TOTAL QUANTITIES
20100110	TREE REMOVAL (6 TO 15 UNITS DIAMETER)	UNIT	54
20100210	TREE REMOVAL (OVER 15 UNITS DIAMETER)	UNIT	36
20200100	EARTH EXCAVATION	CU YD	4,480
20800150	TRENCH BACKFILL	CU YD	575
25000110	SEEDING, CLASS 1A	ACRE	1
25000400	NITROGEN FERTILIZER NUTRIENT	POUND	90
25000500	PHOSPHORUS FERTILIZER NUTRIENT	POUND	90
25000600	POTASSIUM FERTILIZER NUTRIENT	POUND	90
25100115	MULCH, METHOD 2	ACRE	2.0
28000250	TEMPORARY EROSION CONTROL SEEDING	POUND	278
28000400	PERIMETER EROSION BARRIER	FOOT	1,065
28000500	INLET AND PIPE PROTECTION	EACH	100
35100300	AGGREGATE BASE COURSE, TYPE A 4"	SQ YD	71
35101100	AGGREGATE BASE COURSE, TYPE A 12"	SQ YD	11,819
40200500	AGGREGATE SURFACE COURSE, TYPE A 6"	SQ YD	15
40201000	AGGREGATE FOR TEMPORARY ACCESS	TON	290
40800100	BITUMINOUS MATERIALS (PRIME COAT)	GALLON	716.0
40800300	AGGREGATE (PRIME COAT)	TON	17.0
40800895	CONSTRUCTING TEST STRIP	EACH	1
40701911	HOT-MIX ASPHALT PAVEMENT (FULL-DEPTH), 11 1/2"	SQ YD	9,484
40800050	INCIDENTAL HOT-MIX ASPHALT SURFACING	TON	8.2
42001300	PROTECTIVE COAT	SQ YD	6,918
42300200	PORTLAND CEMENT CONCRETE DRIVEWAY PAVEMENT, 6 INCH	SQ YD	555
42300400	PORTLAND CEMENT CONCRETE DRIVEWAY PAVEMENT, 8 INCH	SQ YD	48
42400100	PORTLAND CEMENT CONCRETE SIDEWALK 4 INCH	SQ FT	33,530
42400300	PORTLAND CEMENT CONCRETE SIDEWALK 6 INCH	SQ FT	9,056
42400800	DETECTABLE WARNINGS	SQ FT	949
44000100	PAVEMENT REMOVAL	SQ YD	9,663
44000200	DRIVEWAY PAVEMENT REMOVAL	SQ YD	813
44000300	CURB REMOVAL	FOOT	8,233
44000500	COMBINATION CURB AND GUTTER REMOVAL	FOOT	325
44000600	SIDEWALK REMOVAL	SQ FT	14,903
50105220	PIPE CULVERT REMOVAL	FOOT	84
54215550	METAL END SECTIONS 15"	EACH	4
54213660	PRECAST REINFORCED CONCRETE FLARED END SECTIONS 15"	EACH	1
54248510	CONCRETE COLLAR	CU YD	0.3
542C0220	PIPE CULVERTS, CLASS C, TYPE 1 15"	FOOT	48
550A0040	STORM SEWERS, CLASS A, TYPE 1 10"	FOOT	31
550A0050	STORM SEWERS, CLASS A, TYPE 1 12"	FOOT	1,052
550A0070	STORM SEWERS, CLASS A, TYPE 1 15"	FOOT	451
550A0090	STORM SEWERS, CLASS A, TYPE 1 18"	FOOT	154
550A0120	STORM SEWERS, CLASS A, TYPE 1 24"	FOOT	144
550A0380	STORM SEWERS, CLASS A, TYPE 2 15"	FOOT	222
550A0380	STORM SEWERS, CLASS A, TYPE 2 18"	FOOT	92
550A0410	STORM SEWERS, CLASS A, TYPE 2 24"	FOOT	25
55100500	STORM SEWER REMOVAL 12"	FOOT	501
60218400	MANHOLES, TYPE A, 4'-DIAMETER, TYPE 1 FRAME, CLOSED LID	EACH	18
60218500	MANHOLES, TYPE A, 4'-DIAMETER, TYPE 3 FRAME AND GRATE	EACH	2
60224459	MANHOLES, TYPE A, 8'-DIAMETER, TYPE 1 FRAME, CLOSED LID	EACH	1
60235700	INLETS, TYPE A, TYPE 3 FRAME AND GRATE	EACH	20
60238200	INLETS, TYPE A, TYPE 8 GRATE	EACH	1
60237470	INLETS, TYPE A, TYPE 24 FRAME AND GRATE	EACH	28
60240220	INLETS, TYPE B, TYPE 3 FRAME AND GRATE	EACH	16
60240305	INLETS, TYPE B, TYPE 10 FRAME AND GRATE	EACH	2
60240328	INLETS, TYPE B, TYPE 24 FRAME AND GRATE	EACH	11
60255800	MANHOLES TO BE ADJUSTED WITH NEW TYPE 1 FRAME, CLOSED LID	EACH	19
60260100	INLETS TO BE ADJUSTED	EACH	2
60261530	INLETS TO BE ADJUSTED WITH NEW TYPE 23 FRAME AND GRATE	EACH	1
60500040	REMOVING MANHOLES	EACH	11
60500060	REMOVING INLETS	EACH	23
60600605	CONCRETE CURB, TYPE B	FOOT	1,004.5
60803800	COMBINATION CONCRETE CURB AND GUTTER, TYPE B-6.12	FOOT	20.5
60604400	COMBINATION CONCRETE CURB AND GUTTER, TYPE B-6.18	FOOT	269.5
60605000	COMBINATION CONCRETE CURB AND GUTTER, TYPE B-6.24	FOOT	5,961.5
67100100	MOBILIZATION	L SUM	1

SUMMARY OF QUANTITIES

CODE NO.	ITEM	UNIT	TOTAL QUANTITIES
72000100	SIGN PANEL - TYPE 1	SQ FT	392
72400100	REMOVE SIGN PANEL ASSEMBLY - TYPE A	EACH	52
72400200	REMOVE SIGN PANEL ASSEMBLY - TYPE B	EACH	6
72800100	TELESCOPING STEEL SIGN SUPPORT	FOOT	973
78000200	THERMOPLASTIC PAVEMENT MARKING - LINE 4"	FOOT	742
78000400	THERMOPLASTIC PAVEMENT MARKING - LINE 8"	FOOT	2,443
78000600	THERMOPLASTIC PAVEMENT MARKING - LINE 12"	FOOT	292
78300100	PAVEMENT MARKING REMOVAL	SQ FT	158
80500200	SERVICE INSTALLATION, TYPE B	EACH	1
81028180	UNDERGROUND CONDUIT, GALVANIZED STEEL, 1 1/4" DIA.	FOOT	15
81100500	CONDUIT ATTACHED TO STRUCTURE, 1 1/2" DIA., GALVANIZED STEEL	FOOT	16
87300215	ELECTRIC CABLE IN TRENCH, SIGNAL, NO. 14 2C	FOOT	34
88050010	SIGNAL HEAD, ALUMINUM, LED, 1-FACE, 1-SECTION, POST MOUNTED	EACH	1
D2C035G5	EVERGREEN, TAXUS X MEDIA DENSIFORMIS (DENSE ANGLO-JAPANESE YEW), CONTAINER GROWN, 5-GALLON	EACH	7
X0325289	INLET MODIFICATION	EACH	1
X0328657	RELOCATE SIGN, SPECIAL	EACH	1
X0328694	PLUG EXISTING STORM SEWERS	CU YD	8
X0327235	LOCATING UNDERGROUND UTILITIES	FOOT	2,500
X6640306	CHAIN LINK FENCE TO BE RELOCATED	FOOT	246
X7010216	TRAFFIC CONTROL AND PROTECTION, (SPECIAL)	L SUM	1
XZ127900	RETAINING WALL REMOVAL	FOOT	225
Z0007125	HANDRAIL REMOVAL	EACH	1
Z0012450	CONCRETE STEPS	CU YD	2
Z0012455	CONCRETE STEP REMOVAL	EACH	2
Z0013302	SEGMENTAL CONCRETE BLOCK WALL	SQ FT	477
+ 20076600	TRAINEES	HOUR	1,000
+ 20076601	TRAINEES TRAINING PROGRAM GRADUATE	HOUR	1,000

* REPRESENTS SPECIAL PROVISION

Δ SPECIALTY ITEMS

+ 0042

208 East Main Street, Suite 100
Belleville, Illinois 62220
618.233.5877 phone
618.233.5977 fax
www.kaskasiaeng.com

Kaskasia
Engineering Group, LLC

PROFESSIONAL REGISTRATIONS
Illinois Professional Design Firm
Professional Engineering Group

LICENSE NO. 184-004773
20-5080586

CONTRACT NO. 97531
SEC. NO. 05-00209-00-PV

REV.	DATE	DESCRIP
Δ		
Δ		
Δ		
Δ		
Δ		

SHEET TITLE: SUMMARY OF QUANTITIES

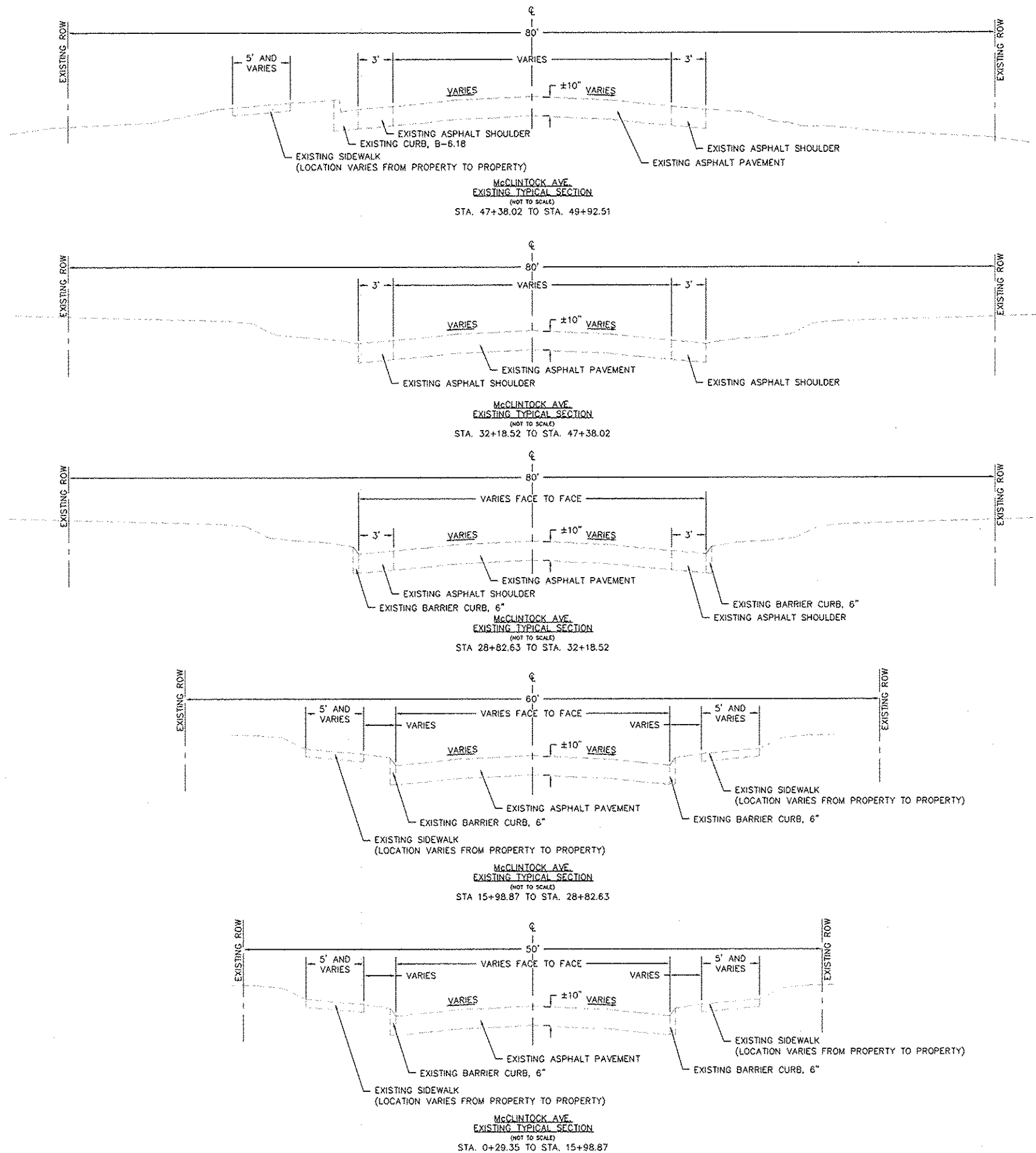
PROJECT TITLE: MCCLINTOCK AVE. STREET IMPROVEMENTS
CITY OF BELLEVILLE
ST. CLAIR COUNTY, IL

DESIGNED BY: TJR	SHEET
DRAWN BY: J.L.T	03
CHECKED BY: LDC	
DATE OF PRELIMINARY: 03/29/2013	
DATE OF FINAL: 05/24/2013	

SHEET NO. 03 OF 72 SHEETS
PROJECT NUMBER 11-1041

FILE: P:\11-1041\McClintock\10_CADD\Sheet\11-1041_S01_AND_SCHEDULES.dwg

FILE: P:\11-1041 McClintock\10_CAD\CADD_Sheets\11-1041_TYP.dwg



208 East Main Street, Suite 100
 Belleville, Illinois 62220
 618.233.5877 Phone
 618.233.5977 Fax
 www.kaskaskiaeng.com

Kaskaskia
 Engineering Group, LLC

PROFESSIONAL REGISTRATIONS
 Illinois Professional Design Firm
 Professional Engineering Group

LICENSE NO. 184-004773
 20-5080586

CONTRACT NO. 97531
 SEC. NO. 05-00209-00-PV

REV	DATE	DESCRIP
△		
△		
△		
△		
△		

SHEET TITLE:
TYPICAL SECTIONS

PROJECT TITLE:
**MCCLINTOCK AVE. STREET IMPROVEMENTS
 CITY OF BELLEVILLE
 ST. CLAIR COUNTY, IL**

DESIGNED BY: TJR	SHEET
DRAWN BY: JLT	04
CHECKED BY: GEB	
DATE OF PRELIMINARY: 03/29/2013	
DATE OF FINAL: 05/24/2013	
SHEET NO. 04 OF 72 SHEETS	
PROJECT NUMBER 11-1041	

208 East Main Street, Suite 100
 Belleville, Illinois 62220
 618.233.5877 phone
 618.233.5877 fax
 www.kaskasia.com



PREPARED BY:

PROFESSIONAL REGISTRATIONS
 Illinois Professional Design Firm
 Professional Engineering Group

LICENSE NO.
 184-004773
 20-5080586

CONTRACT NO. 07631
 SEC. NO. 06--00209--00--PV

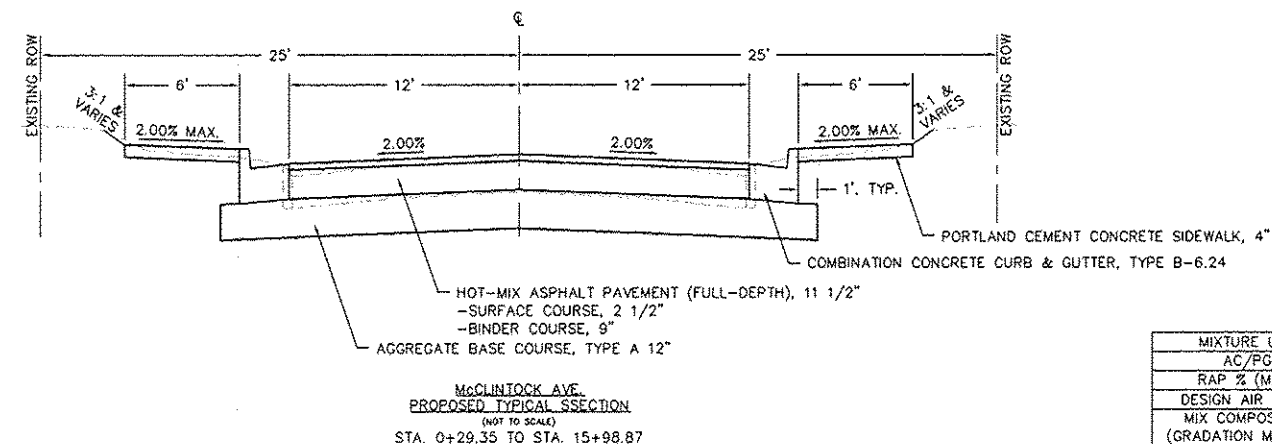
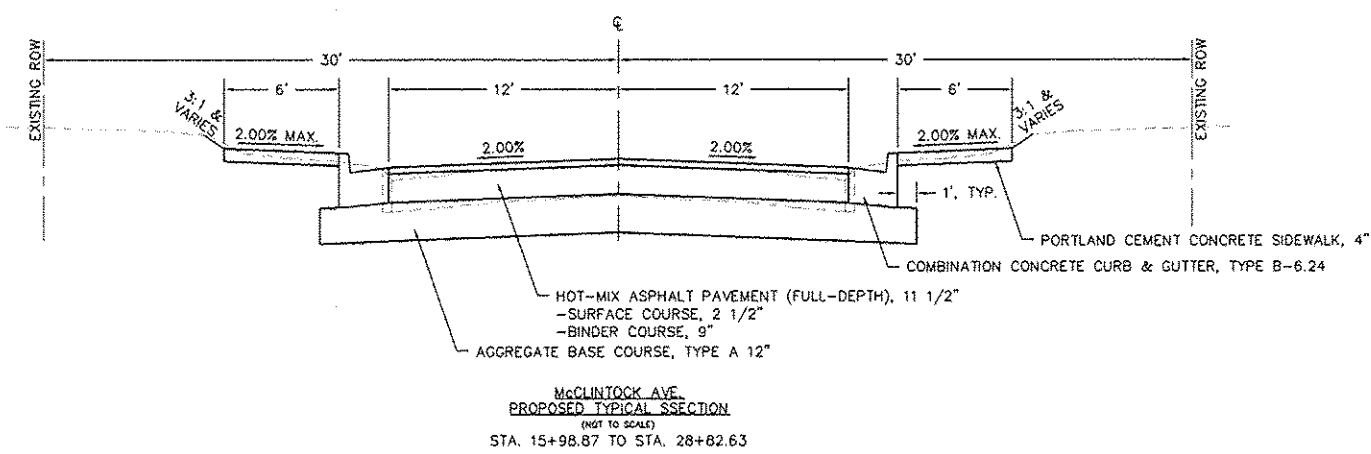
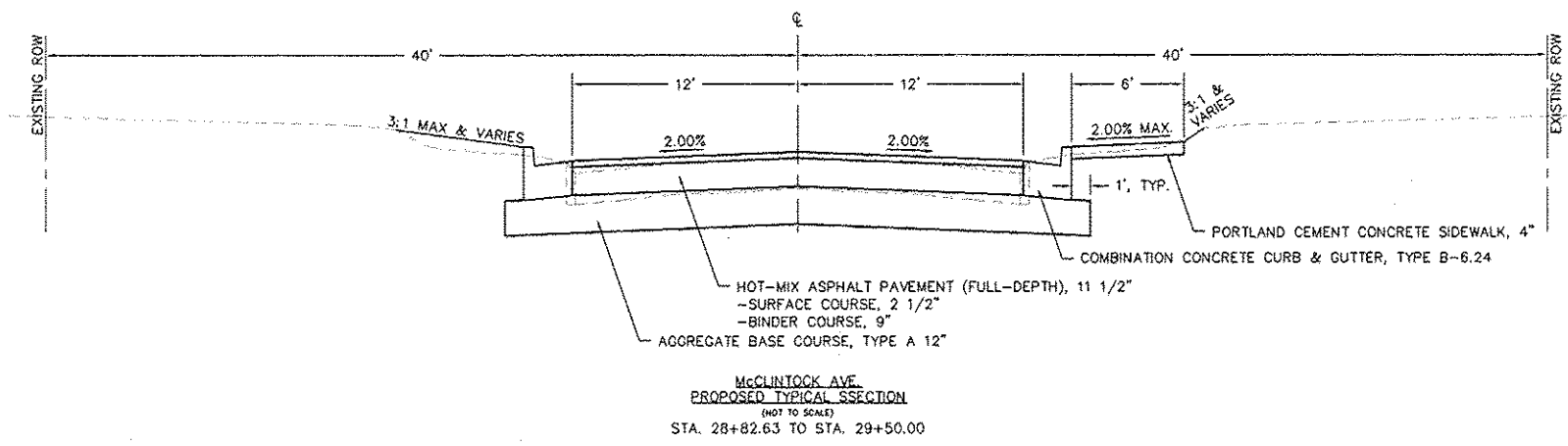
REV	DATE	DESCRIP
△		
△		
△		
△		
△		

TYPICAL SECTIONS

SHEET TITLE:

PROJECT TITLE:
 MCCLINTOCK AVE. STREET IMPROVEMENTS
 CITY OF BELLEVILLE
 ST. CLAIR COUNTY, IL

DESIGNED BY: TJR	SHEET
DRAWN BY: JLT	05
CHECKED BY: LDC	
DATE OF PRELIMINARY: 03/29/2013	
DATE OF FINAL: 05/24/2013	
SHEET NO. 05 OF 72 SHEETS	
PROJECT NUMBER 11-1041	

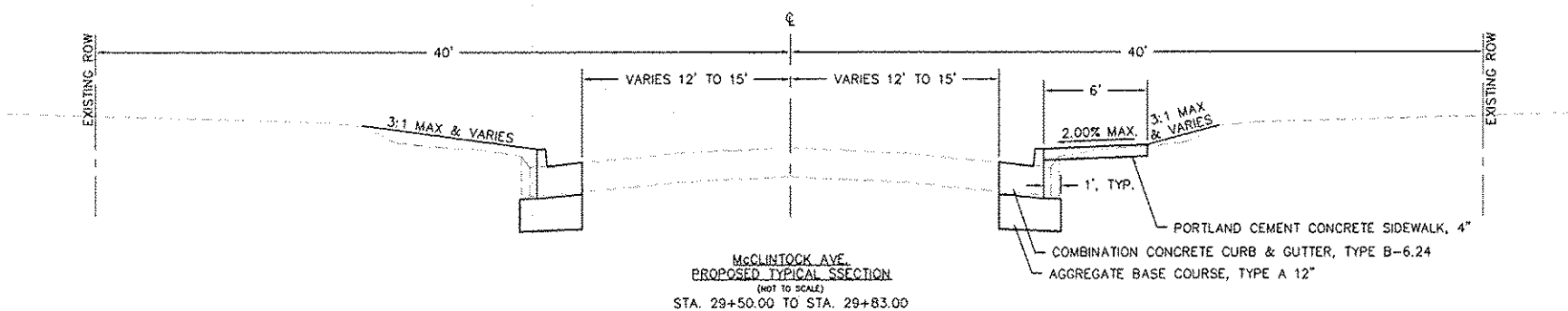
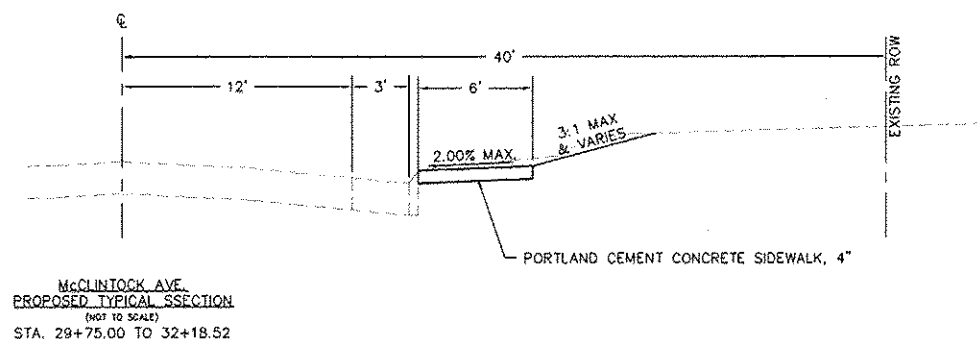
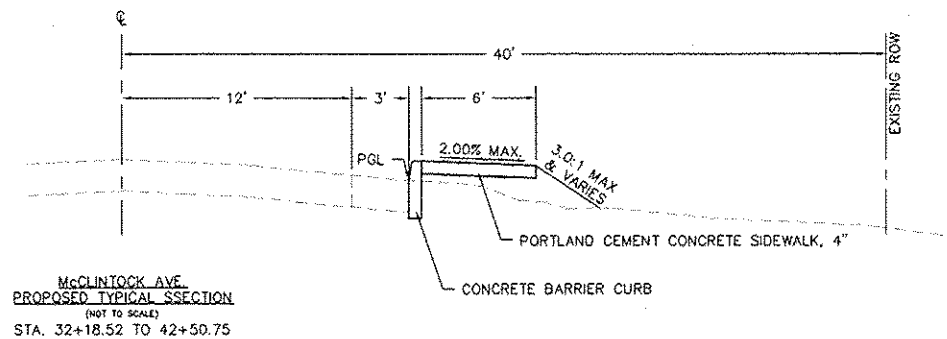
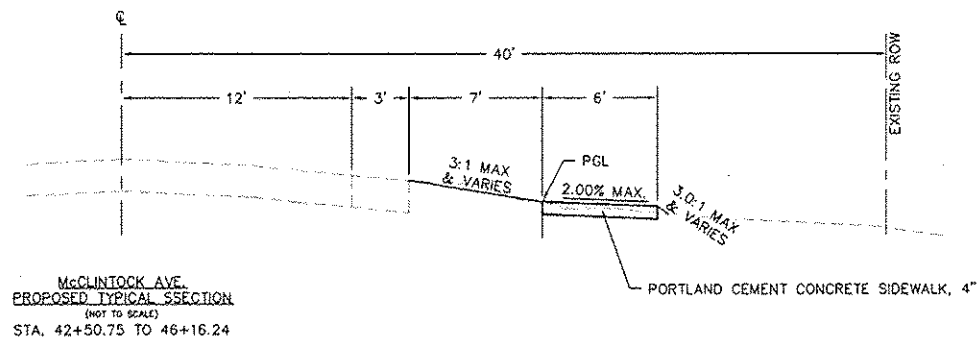


HMA MIXTURE DESIGN TABLE

MIXTURE USE	STA. 0+29.35 TO STA. 1+20.78		STA. 1+20.78 TO STA. 29+50.00	
	SURFACE	BINDER	SURFACE	BINDER
AC/PG	PG 64-22	PG 64-22	PG 64-22	PG 64-22
RAP % (MAX)	10%	15%	10%	15%
DESIGN AIR VOIDS	4.0% NDES=90	4.0% NDES=90	4.0% NDES=70	4.0% NDES=70
MIX COMPOSITION (GRADATION MIXTURE)	IL 9.5	IL 19.0	IL 9.5	IL 19.0
FRICTION AGG	MIXTURE "D"	MIXTURE "D"	MIXTURE "D"	MIXTURE "D"

FILE: P:\11-1041 McClintock\10_CAD\CAD Sheets\11-1041_TYP.dwg

FILE: F:\11-1041\McClintock\10_CADD\Sheet\11-1041_TYP.dwg



208 East Main Street, Suite 100
Belleville, Illinois 62220
618.233.5877 phone
618.233.5977 fax
www.kaskaskiaeng.com

Kaskaskia
Engineering Group, LLC

PROFESSIONAL REGISTRATIONS
Illinois Professional Design Firm
Professional Engineering Group

LICENSE NO.
184-004773
20-5080586

CONTRACT NO. 97631
SEC. NO. 05-00208-00-PV

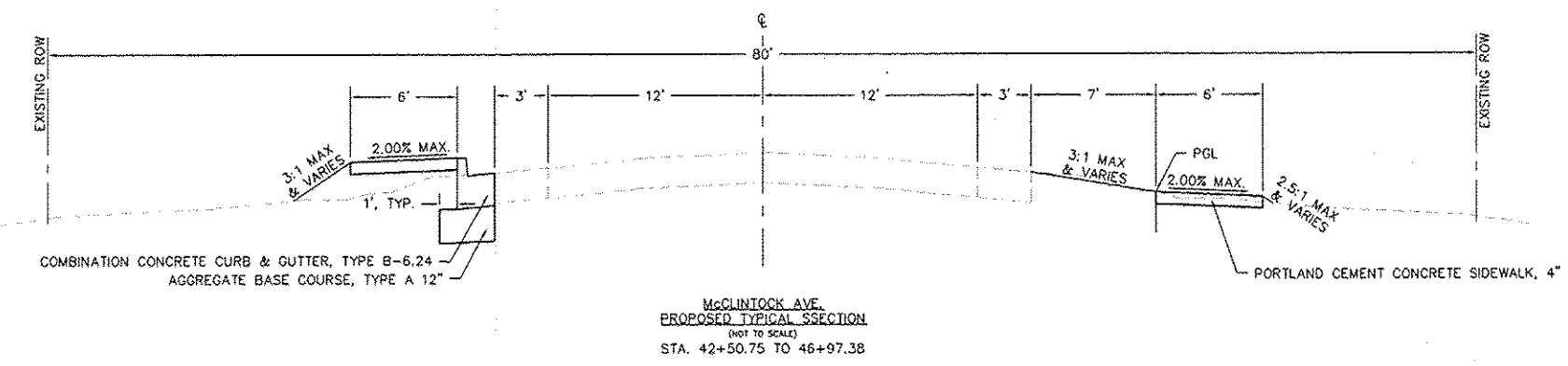
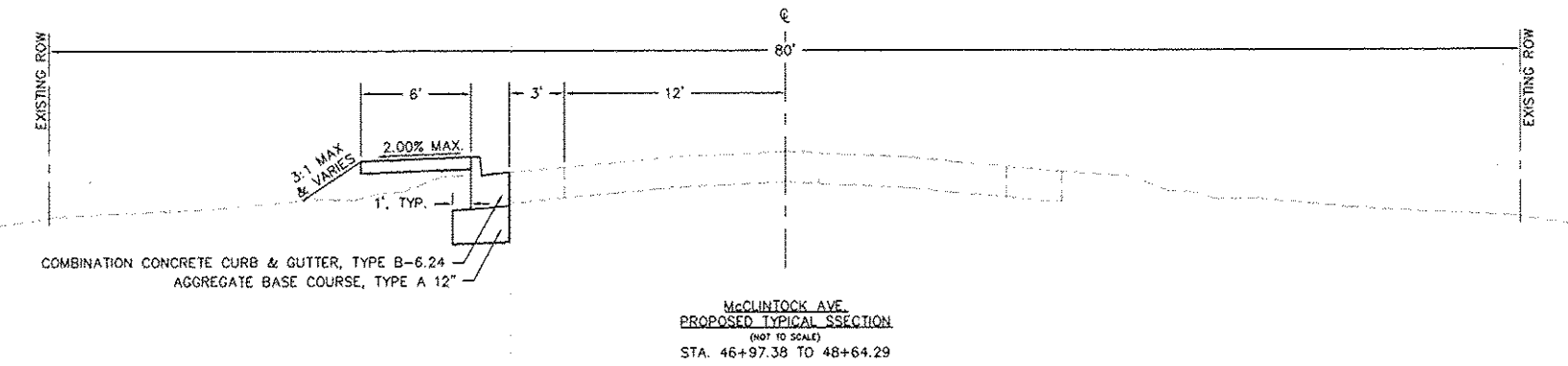
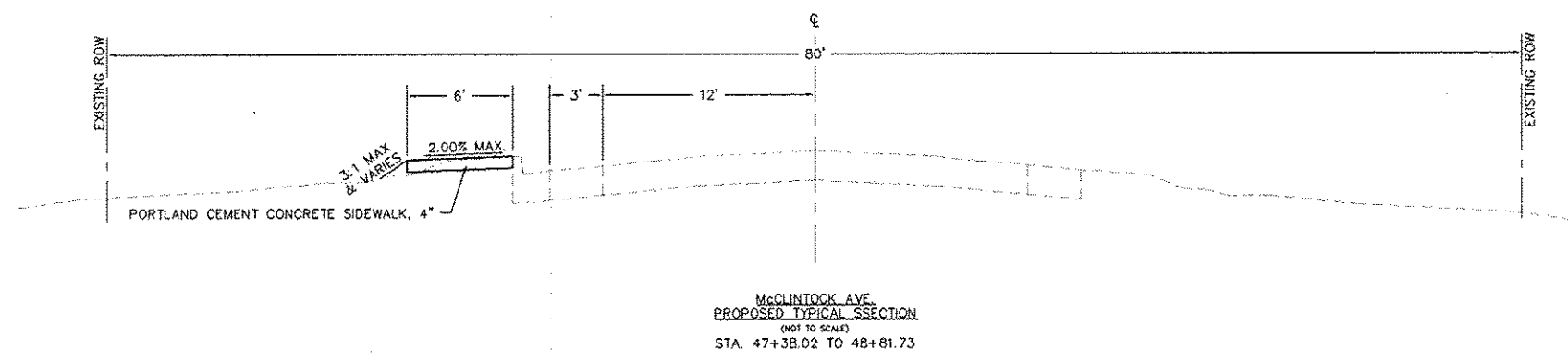
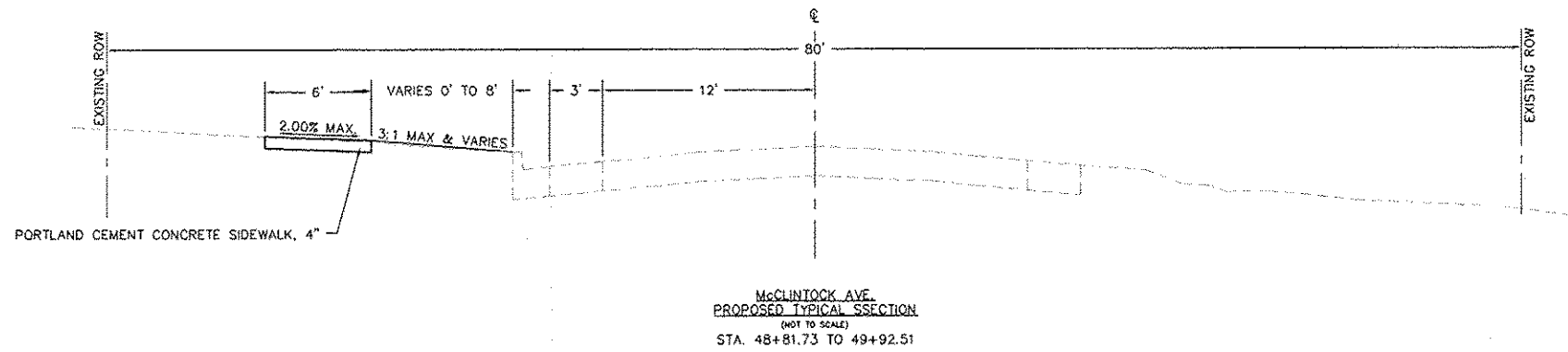
REV	DATE	DESCRIP
△		
△		
△		
△		
△		

TYPICAL SECTIONS

PROJECT TITLE:
MCCLINTOCK AVE. STREET IMPROVEMENTS
CITY OF BELLEVILLE
ST. CLAIR COUNTY, IL

SHEET TITLE:

DESIGNED BY:	TJR	SHEET
DRAWN BY:	J.T.	06
CHECKED BY:	LDC	
DATE OF PRELIMINARY:	03/29/2013	
DATE OF FINAL:	05/24/2013	
SHEET NO. 06 OF 77 SHEETS		
PROJECT NUMBER	11-1041	



208 East Main Street, Suite 100
 Belleville, Illinois 62220
 618.233.5877 phone
 618.233.5977 fax
 www.kaskaskiaeng.com



PREPARED BY:

CONTRACT NO. 87531
 SEC. NO. 05-00209-00-PV

REV.	DATE	DESCRIP
△		
△		
△		
△		
△		

SHEET TITLE:
 TYPICAL SECTIONS

PROJECT TITLE:
 MCCLINTOCK AVE. STREET IMPROVEMENTS
 CITY OF BELLEVILLE
 ST. CLAIR COUNTY, IL

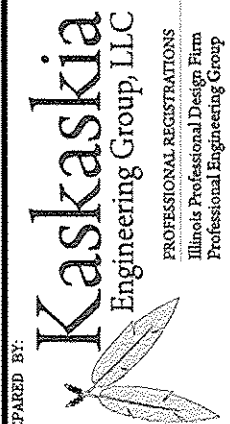
DESIGNED BY:	TJR	SHEET
DRAWN BY:	JLT	07
CHECKED BY:	LDC	
DATE OF PRELIMINARY:	03/29/2013	
DATE OF FINAL:	05/24/2013	
SHEET NO. 07 OF 22 SHEETS		
PROJECT NUMBER 11-1041		

FILE: P:\11-1041 McClintock\10-CAD\CADD Sheets\11-1041_Typ.dwg

SIGN AND POST SCHEDULE

Location	TYPE	DESCRIPTION	DIMENSIONS		SIGN PANEL T1 (SQ FT)	REMOV SIN PAN ASSY TA (EACH)	REMOV SIN PAN ASSY TB (EACH)	TELES STL SIN SUPPORT (FOOT)	RELOCATE SIGN SPL (EACH)	COMMENTS
			W	H						
McCLINTOCK AVENUE										
McCLINTOCK AND MASCOUTAH INTERSECTION	R12-1	WEIGHT LIMIT (4 TONS)	24	30	5.00			16.00		SIGNS TO BE COORDINATED WITH THE CITY
McCLINTOCK AND MASCOUTAH INTERSECTION	M6-1	DIRECTIONAL ARROW	21	15	2.25					MOUNT WITH R12-1
McCLINTOCK AND MASCOUTAH INTERSECTION	R12-1	WEIGHT LIMIT (4 TONS)	24	30	5.00			16.00		SIGNS TO BE COORDINATED WITH THE CITY
McCLINTOCK AND MASCOUTAH INTERSECTION	M6-1	DIRECTIONAL ARROW	21	15	2.25					MOUNT WITH R12-1
McCLINTOCK AND MASCOUTAH INTERSECTION	R12-1	WEIGHT LIMIT (4 TONS)	24	30	5.00			16.00		SIGNS TO BE COORDINATED WITH THE CITY
McCLINTOCK AND MASCOUTAH INTERSECTION	M6-1	DIRECTIONAL ARROW	21	15	2.25					MOUNT WITH R12-1
0+30.72, 17.97' LT							1			EXISTING M1-100 AND M8-1
0+34.80, 21.58' LT	M1-1100	STATE ROUTE (ILLINOIS 158)	24	24	4.00			16.00		MOUNT WITH M1-1100
0+34.80, 21.58' LT	M1-1100	STATE ROUTE (ILLINOIS 177)	24	24	4.00					MOUNT WITH M1-1100
0+34.80, 21.58' LT	M6-1	DIRECTIONAL ARROW	21	15	2.25					MOUNT WITH M1-1100
0+34.80, 21.58' LT	M6-1	DIRECTIONAL ARROW	21	15	2.25					EXISTING R1-1 AND R1-3P
0+41.66, 14.49' LT						1				
0+42.80, 21.58' LT	R1-1	STOP	30	30	6.25			15.00		MOUNT WITH R1-1
0+42.80, 21.58' LT	R1-3P	ALL WAY	18	6	0.75					EXISTING R1-1 AND R1-3P
0+50.94, 48.19' RT										
0+51.46, 45.29' RT	R1-1	STOP	30	30	6.25			15.00		MOUNT WITH R1-1
0+51.46, 45.29' RT	R1-3P	ALL WAY	18	6	0.75					EXISTING R1-1 AND R1-3P
0+53.78, 28.17' RT						1				MOUNT WITH R1-1
0+58.98, 30.80' RT	D3-1	STREET NAME SIGN (McCLINTOCK AVE)	48	8	2.75			14.00		EXISTING D3-1
0+58.98, 30.80' RT	D3-1	STREET NAME SIGN (MASCOUTAH AVE)	48	8	2.75					MOUNT WITH STREET NAME SIGN
0+77.38, 15.08' LT						1				EXISTING RECREATIONAL PARK SIGN
0+77.00, 21.58' LT		RECREATIONAL GUIDE SIGN	36	24	6.00			16.00		WHITE LETTERING ON BROWN BACKGROUND
0+77.00, 21.58' LT	M6-1	DIRECTIONAL ARROW	21	15	2.25					WHITE ARROW ON BROWN BACKGROUND
0+77.52, 14.68' RT							1			EXISTING R2-1 AND R12-3
0+77.50, 21.58' RT	R2-1	SPEED LIMIT (25)	24	30	5.00			17.00		MOUNT WITH R2-1
0+77.50, 21.58' RT	R12-1	WEIGHT LIMIT (4 TONS)	24	30	5.00					ADOPT A HIGHWAY SIGN TO BE RELOCATED TO 1+05.00, 22.00' RT
1+05.44, 14.43' RT							1			
1+05.00, 21.58' RT		NEIGHBORHOOD WATCH SIGN TO BE PROVIDED BY THE CITY						17.00		
2+08.23, 14.16' LT										EXISTING NO PARKING
2+10.00, 21.58' LT	R7-1	PARKING RESTRICTIONS	12	18	1.50			14.00		EXISTING R2-1, R7-1 AND LITTER SIGN
2+60.28, 14.04' RT										
2+60.00, 21.58' RT	R2-1	SPEED LIMIT (25)	24	30	5.00			17.00		MOUNT WITH R2-1
2+60.00, 21.58' RT	R7-1	PARKING RESTRICTIONS	12	18	1.50					EXISTING D3-1
3+34.55, 31.16' LT										
3+42.00, 28.00' LT	D3-1	STREET NAME SIGN (McCLINTOCK AVE)	48	8	2.75			14.00		MOUNT WITH STREET NAME SIGN
3+42.00, 28.00' LT	D3-1	STREET NAME SIGN (PARK AVE)	30	8	1.75					EXISTING NEIGHBORHOOD WATCH SIGN
5+01.59, 30.92' LT										
5+02.00, 29.00' LT		NEIGHBORHOOD WATCH SIGN TO BE PROVIDED BY THE CITY						15.00		
5+44.29, 13.85' LT										EXISTING R2-1 AND R8-3
5+44.00, 21.58' LT	R2-1	SPEED LIMIT (25)	24	30	5.00			17.00		MOUNT WITH R2-1
5+44.00, 21.58' LT	R8-3	NO PARKING (SYMBOL)	24	24	4.00					EXISTING NEIGHBORHOOD WATCH SIGN AND R7-1
6+11.64, 13.32' RT										EXISTING NEIGHBORHOOD WATCH SIGN AND R7-1
6+12.00, 21.58' RT	R7-1	PARKING RESTRICTIONS	12	18	1.50			17.00		MOUNT WITH NEIGHBORHOOD WATCH TO BE PROVIDED BY CITY
6+62.15, 30.86' LT										EXISTING R1-1
6+60.78, 33.61' LT	R1-1	STOP	30	30	6.25			15.00		EXISTING R1-1
6+62.93, 24.61' RT										
6+68.18, 33.20' RT	R1-1	STOP	30	30	6.25			15.00		EXISTING D3-1
7+03.59, 14.38' RT										
7+03.50, 22.53' RT	D3-1	STREET NAME SIGN (McCLINTOCK AVE)	48	8	2.75			14.00		MOUNT WITH STREET NAME SIGN
7+03.50, 22.53' RT	D3-1	STREET NAME SIGN (FOREST AVE)	30	8	1.75					EXISTING R12-1
7+21.24, 13.61' RT										
7+22.00, 21.58' RT	R12-1	WEIGHT LIMIT (4 TONS)	24	30	5.00			15.00		EXISTING R7-1
8+18.02, 13.22' RT										
8+18.00, 21.58' RT	R7-1	PARKING RESTRICTIONS	12	18	1.50			14.00		EXISTING R1-1 AND R1-3P
10+14.07, 14.51' RT										
10+10.00, 21.58' RT	R1-1	STOP	30	30	6.25			15.00		MOUNT WITH R1-1
10+10.00, 21.58' RT	R1-3P	ALL WAY	18	6	0.75					EXISTING R1-1
10+27.10, 30.99' LT										
10+26.83, 33.40' LT	R1-1	STOP	30	30	6.25			15.00		MOUNT WITH R1-1
10+26.83, 33.40' LT	R1-3P	ALL WAY	18	6	0.75					EXISTING D3-1
10+57.90, 31.61' LT										
10+58.41, 30.57' LT	D3-1	STREET NAME SIGN (McCLINTOCK AVE)	48	8	2.75			14.00		MOUNT WITH STREET NAME SIGN
10+58.41, 30.57' LT	D3-1	STREET NAME SIGN (WABASH AVE)	36	8	2.00					EXISTING R1-1 AND R1-3P
10+61.11, 23.52' RT										
10+64.40, 33.00' RT	R1-1	STOP	30	30	6.25			15.00		MOUNT WITH R1-1
10+64.40, 33.00' RT	R1-3P	ALL WAY	18	6	0.75					EXISTING R1-1 AND R1-3P
10+67.48, 24.02' RT										
10+73.24, 15.02' LT										EXISTING R1-1 AND R1-3P
10+74.00, 21.58' LT	R1-1	STOP	30	30	6.25			15.00		MOUNT WITH R1-1
10+74.00, 21.58' LT	R1-3P	ALL WAY	18	6	0.75					EXISTING D3-1
13+02.28, 28.75' LT										
13+91.73, 28.57' LT	D3-1	STREET NAME SIGN (McCLINTOCK AVE)	48	8	2.75			14.00		MOUNT WITH STREET NAME SIGN
13+91.73, 28.57' LT	D3-1	STREET NAME SIGN (PORTLAND AVE)	42	8	2.50					EXISTING R1-1
13+94.09, 32.86' LT										
13+92.66, 32.03' LT	R1-1	STOP	30	30	6.25			15.00		EXISTING R1-1
14+20.67, 31.21' RT										
14+26.17, 32.79' RT	R1-1	STOP	30	30	6.25			15.00		EXISTING R1-1
14+65.62, 13.31' RT										EXISTING R7-1 AND SNOW ROUTE SIGN
14+65.00, 21.58' RT	R7-1	PARKING RESTRICTIONS	12	18	1.50			15.00		SNOWROUTE SIGN TO BE PROVIDED BY THE CITY
15+42.98, 15.21' LT										EXISTING R2-1
15+43.00, 21.58' LT	R2-1	SPEED LIMIT (25)	24	30	5.00			16.00		SNOWROUTE SIGN TO BE PROVIDED BY THE CITY
15+87.25, 19.43' LT										EXISTING R6-2 L AND R6-2 R
15+83.00, 21.58' LT	R6-2 L	ONE WAY	24	30	5.00			15.00		MOUNT ON REVERSE SIDE OF R6-2 L
15+83.00, 21.58' LT	R6-2 R	ONE WAY	24	30	5.00					EXISTING R1-1
16+12.84, 19.31' RT										
16+14.15, 22.00' RT	R1-1	STOP	30	30	6.25			15.00		EXISTING S3-1
16+27.33, 13.64' RT										
16+27.00, 21.58' RT	S3-1	SCHOOL BUS STOP AHEAD	36	36	9.00			15.00		

208 East Main Street, Suite 100
 Belleville, Illinois 62220
 618.233.5877 phone
 618.233.5877 fax
 www.kaskasiaeng.com



CONTRACT NO. 97531
 SEC. NO. 05-00209-00-PV

REV.	DATE	DESCRIP
△		
△		
△		
△		
△		

SCHEDULES

PROJECT TITLE:
**MCCLINTOCK AVE. STREET IMPROVEMENTS
 CITY OF BELLEVILLE
 ST. CLAIR COUNTY, IL**

DESIGNED BY: LJR	SHEET
DRAWN BY: JLT	09
CHECKED BY: LDC	
DATE OF PRELIMINARY: 03/29/2013	
DATE OF FINAL: 05/24/2013	
SHEET NO. 09 OF 22 SHEETS	
PROJECT NUMBER 11-1041	

FILE: P:\11-1041-McClintock\10-CAD\CAD00-Sheets\11-1041-09-AND-SCHEDULES.dwg

SIGN AND POST SCHEDULE CONTINUED

Location	TYPE	DESCRIPTION	DIMENSIONS		SIGN PANEL T1 (SQFT)	REMOV SIN PAN ASSY TA (EACH)	REMOV SIN PAN ASSY TB (EACH)	TELES STL SIN SUPPORT (FOOT)	RELOCATE SIGN SPL (EACH)	COMMENTS
			W	H						
17+67.93 20.81 RT						1				EXISTING D3-1
17+65.00 23.50 RT	D3-1	STREET NAME SIGN (MCCLINTOCK AVE)	48	8	2.75			14.00		
17+65.00 23.50 RT	D3-1	STREET NAME SIGN (DOUGLAS AVE)	36	8	2.00					MOUNT WITH STREET NAME SIGN
17+75.79 33.83 LT						1				EXISTING R1-1
17+74.19 32.63 LT	R1-1	STOP	30	30	6.25			16.00		
17+74.19 32.63 LT	W4-4P	CROSS TRAFFIC DOES NOT STOP (PLAQUE)	24	12	2.00					MOUNT WITH R1-1
18+04.56 38.29 LT						1				EXISTING NEIGHBORHOOD WATCH SIGN
18+05.34 36.18 LT		NEIGHBORHOOD WATCH SIGN TO BE PROVIDED BY THE CITY						15.00		
18+05.75 29.59 RT						1				EXISTING R1-1
18+09.44 33.52 RT	R1-1	STOP	30	30	6.25			16.00		
18+09.44 33.52 RT	W4-4P	CROSS TRAFFIC DOES NOT STOP (PLAQUE)	24	12	2.00					MOUNT WITH R1-1
18+65.39 13.58 RT						1				EXISTING R7-1
18+65.00 21.58 RT	R7-1	PARKING RESTRICTIONS	12	18	1.50			14.00		
19+84.52 16.39 LT						1				EXISTING S3-1
19+90.00 21.58 LT	S3-1	SCHOOL BUS STOP AHEAD	36	36	9.00			15.00		
21+29.13 14.26 RT						1				EXISTING R1-1 AND R1-3P
21+21.50 21.58 RT	R1-1	STOP	30	30	6.25			15.00		
21+21.50 21.58 RT	R1-3P	ALL WAY	18	6	0.75					MOUNT WITH R1-1
21+36.57 21.12 LT						1				EXISTING R1-1 AND R1-3P
21+36.32 32.50 LT	R1-1	STOP	30	30	6.25			15.00		
21+36.32 32.50 LT	R1-3P	ALL WAY	18	6	0.75					MOUNT WITH R1-1
21+66.39 23.98 RT						1				EXISTING R1-1 AND R1-3P
21+67.95 28.78 RT	R1-1	STOP	30	30	6.25			15.00		
21+67.95 28.78 RT	R1-3P	ALL WAY	18	6	0.75					MOUNT WITH R1-1
21+71.42 20.89 LT						1				EXISTING D3-1
21+70.00 26.25 LT	D3-1	STREET NAME SIGN (MCCLINTOCK AVE)	48	8	2.75			14.00		
21+70.00 26.25 LT	D3-1	STREET NAME SIGN (PENNSYLVANIA AVE)	54	8	3.00					MOUNT WITH STREET NAME SIGN
21+83.47 14.09 LT						1				EXISTING R1-1 AND R1-3P
21+83.00 21.58 LT	R1-1	STOP	30	30	6.25			15.00		
21+83.00 21.58 LT	R1-3P	ALL WAY	18	6	0.75					MOUNT WITH R1-1
22+36.26 14.51 RT						1				EXISTING R2-1 AND R7-1
22+36.00 21.58 RT	R2-1	SPEED LIMIT (25)	24	30	5.00			16.00		
22+36.00 21.58 RT	R7-1	PARKING RESTRICTIONS	12	18	1.50					MOUNT WITH R2-1
25+03.70 23.33 LT						1				EXISTING R1-1
25+01.88 32.00 LT	R1-1	STOP	30	30	6.25			14.00		
25+01.88 32.00 LT	W4-4P	CROSS TRAFFIC DOES NOT STOP (PLAQUE)	24	12	2.00					MOUNT WITH R1-1
25+32.16 21.90 RT						1				EXISTING R1-1
25+33.36 31.99 RT	R1-1	STOP	30	30	6.25			14.00		
25+33.36 31.99 RT	W4-4P	CROSS TRAFFIC DOES NOT STOP (PLAQUE)	24	12	2.00					MOUNT WITH R1-1
25+37.76 21.15 LT						1				EXISTING D3-1
25+45.00 22.50 LT	D3-1	STREET NAME SIGN (MCCLINTOCK AVE)	48	8	2.75			14.00		
25+45.00 22.50 LT	D3-1	STREET NAME SIGN (VIRGINIA AVE)	36	8	2.00					MOUNT WITH STREET NAME SIGN
25+42.42 13.96 LT						1				EXISTING R2-1
25+50.00 21.58 LT	R2-1	SPEED LIMIT (25)	24	30	5.00			15.00		
28+56.49 16.10 RT						1				EXISTING D3-1
28+56.42 22.23 RT	D3-1	STREET NAME SIGN (MCCLINTOCK AVE)	48	8	2.75			14.00		
28+56.42 22.23 RT	D3-1	STREET NAME SIGN (MISSOURI AVE)	42	8	2.50					MOUNT WITH STREET NAME SIGN
28+68.35 28.02 LT						1				EXISTING R1-1
28+66.89 31.99 LT	R1-1	STOP	30	30	6.25			15.00		
28+98.78 35.40 RT						1				EXISTING R1-1
28+99.25 34.99 RT	R1-1	STOP	30	30	6.25			15.00		
31+67.14 19.96 RT						1				EXISTING R2-1
31+65.00 23.80 RT	R2-1	SPEED LIMIT (25)	24	30	5.00			15.00		
35+03.37 24.21 RT						1				EXISTING R1-1 AND R1-3P
35+98.61 25.94 RT	R1-1	STOP	30	30	6.25			15.00		
35+98.61 25.94 RT	R1-3P	ALL WAY	18	6	0.75					MOUNT WITH R1-1
38+22.67 20.75 RT						1				EXISTING R2-1
38+25.00 22.52 RT	R2-1	SPEED LIMIT (25)	24	30	5.00			15.00		
40+16.25 20.70 RT						1				EXISTING S4-1100
40+15.00 22.38 RT	S4-1100	SCHOOL SPEED LIMIT ON SCHOOL DAY WHEN CHILDREN ARE PRESENT	24	48	9.00			16.00		
43+90.00 29.75 RT	S1-1	SCHOOL	36	36	9.00			14.00		
43+90.00 23.21 RT	W16-2aP	200 FT	24	12	2.00					MOUNT WITH S1-1
46+01.88 23.14 RT						1				EXISTING S1-1
46+00.00 23.15 RT	S1-1	SCHOOL	36	36	9.00			14.00		
46+00.00 29.65 RT	W16-7P	DIRECTIONAL ARROW	24	12	2.00					MOUNT WITH S1-1
48+62.50 28.11 LT						1				EXISTING S4-1100 AND SLOW SCHOOL ZONE
48+64.57 31.19 LT	S4-1100	SCHOOL SPEED LIMIT ON SCHOOL DAY WHEN CHILDREN ARE PRESENT	24	48	9.00			21.00		EXISTING SLOW SCHOOL ZONE SIGN TO BE MOUNTED WITH
48+73.05 29.21 LT						1				EXISTING R12-1 AND SLOW ROUTE SIGN
48+74.92 32.53 LT	R12-1	WEIGHT LIMIT (4 TONS)	24	30	5.00			16.00		SLOW ROUTE SIGN TO BE PROVIDED BY THE CITY
48+86.86 29.25 LT						1				ADOPT A HIGHWAY SIGN TO BE RELOCATED TO 48+90.32 30 30 LT
49+90.32 30.30 LT		RELOCATED ADOPT A HIGHWAY SIGN						15.00		
49+07.18 76.95 LT	R12-1	WEIGHT LIMIT (4 TONS)	24	30	5.00			16.00		SIGNS TO BE COORDINATED WITH THE CITY
49+07.18 76.95 LT	M6-1	DIRECTIONAL ARROW	21	15	2.25					MOUNT WITH R12-1
McCLINTOCK AND CARLYLE INTERSECTION	R12-1	WEIGHT LIMIT (4 TONS)	24	30	5.00			16.00		SIGNS TO BE COORDINATED WITH THE CITY
	M6-1	DIRECTIONAL ARROW	21	15	2.25					MOUNT WITH R12-1
		TOTAL			392	52	6	973	1	

208 East Main Street, Suite 100
 Belleville, Illinois 62220
 618.233.5877 phone
 618.233.5977 fax
 www.kaskaskiaeng.com



PROFESSIONAL REGISTRATIONS
 Illinois Professional Design Firm
 Professional Engineering Group

CONTRACT NO. 97531
 SEC. NO. 05-00209-00-PV

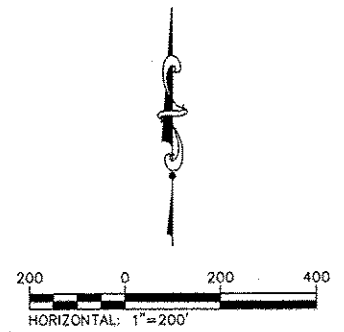
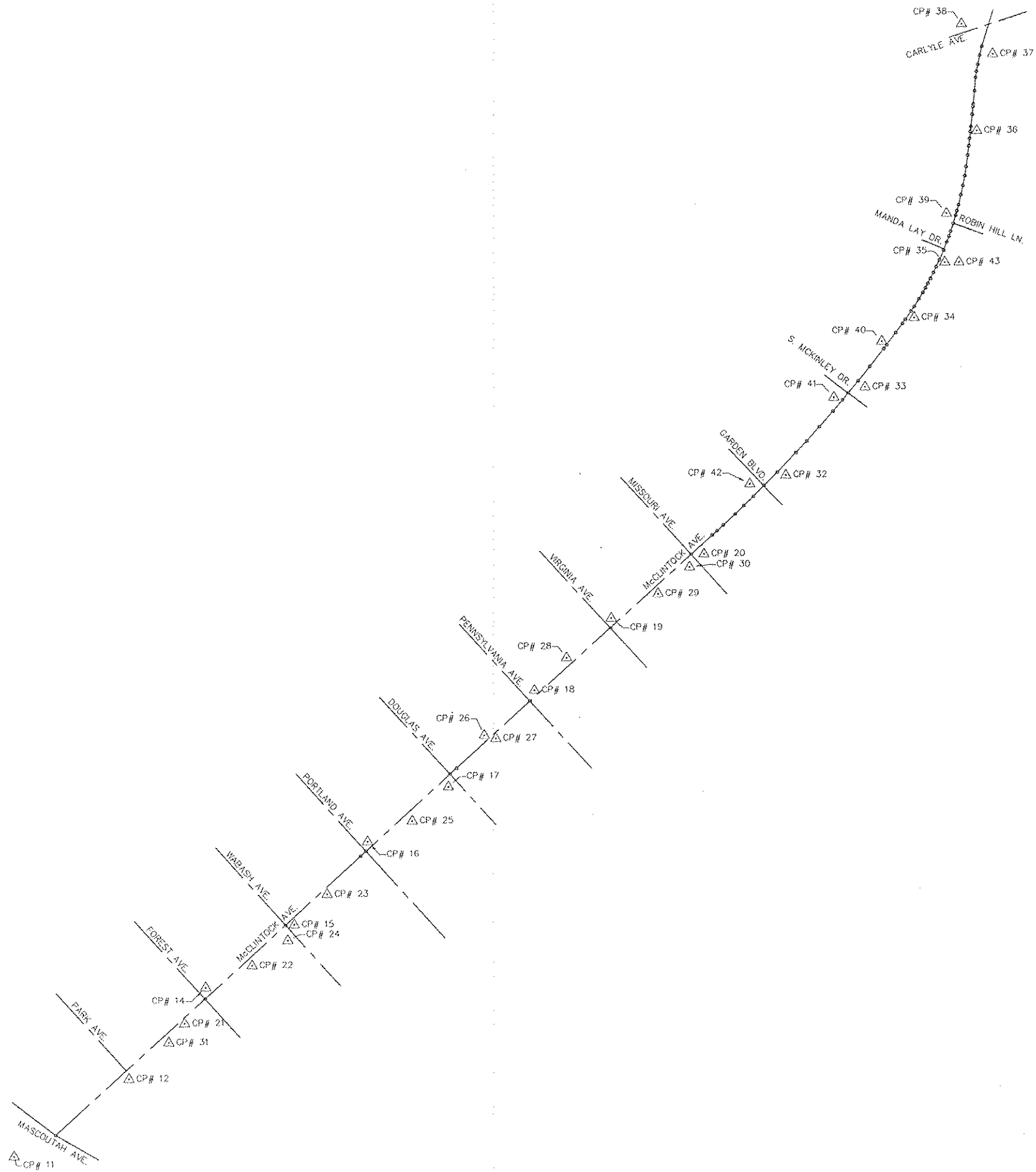
REV	DATE	DESCRIP
△		
△		
△		
△		
△		

SCHEDULES
 PROJECT TITLE:
 MCCLINTOCK AVE. STREET IMPROVEMENTS
 CITY OF BELLEVILLE
 ST. CLAIR COUNTY, IL

DESIGNED BY:	THR	SHEET
DRAWN BY:	J.T	10
CHECKED BY:	LDC	
DATE OF PRELIMINARY:	03/29/2013	
DATE OF FINAL:	05/24/2013	
SHEET NO. 10 OF 22 SHEETS		
PROJECT NUMBER	11-1041	

FILE: P:\11-1041-McClintock\10-CADD\CADD Sheets\11-1041-08-AND-SCHEDULES.dwg

FILE: P:\11-1041_McClintock\10_CAD\CAD00 Sheets\11-1041_45p8a.dwg



CONTROL POINTS AND BENCHMARKS

CONTROL POINT NUMBER	NORTHING	EASTING	STATION	OFFSET	ELEVATION
McCLINTOCK AVENUE					
11	669626.719	2352813.036			498.463
12	669883.86	2353199.586	3+08.55'	27.18' RT	513.003
14	670188.407	2353456.324	7+03.24'	26.54' LT	502.774
15	670397.005	2353755.125	10+64.78'	19.12' RT	499.461
16	670673.225	2354002.228	14+33.40'	19.84' LT	493.49
17	670855.664	2354273.027	17+56.43'	27.84' RT	491.96
18	671178.555	2354563.813	21+88.79'	16.41' LT	506.078
19	671418.817	2354821.188	25+40.84'	22.04' LT	504.253
20	671632.808	2355132.98	29+15.56'	28.24' RT	504.172
21	670068.392	2353386.573	5+71.01'	15.71' RT	504.437
22	670261.511	2353612.063	8+67.79'	23.68' RT	499.445
23	670497.795	2353966.549	12+15.02'	19.08' RT	497.162
24	670344.7	2353733.173	10+13.41'	43.19' RT	499.961
25	670742.071	2354151.317	15+89.95'	29.76' RT	492.42
26	671027.599	2354394.185	19+61.73'	18.18' LT	498.484
27	671017.569	2354432.764	19+83.62'	15.13' RT	499.646
28	671286.448	2354672.09	23+41.47'	23.83' LT	505.092
29	671500.702	2354978.422	27+12.39'	22.66' RT	502.862
30	671589.034	2355083.979	28+49.93'	27.92' RT	503.268
31	670004.689	2353333.281	4+88.76'	27.22' RT	508.13
32	671896.009	2355408.738	32+94.93'	27.34' RT	505.55
33	672189.968	2355675.098	36+89.81'	30.59' RT	506.728
34	672422.467	2355840.682	39+72.96'	20.36' RT	503.266
35	672606.964	2355944.374	41+80.98'	19.74' RT	498.574
36	673046.904	2356053.338	46+30.03'	21.15' RT	492.769
37	673303.327	2356107.511	48+96.68'	41.51' RT	494.3
38	673403.903	2356002.624	49+64.51'	87.47' LT	497.64
39	672771.242	2355950.762	43+37.92'	31.44' LT	494.125
40	672342.787	2355731.98	38+44.16'	20.34' LT	505.609
41	672155.827	2355570.61	35+96.08'	27.81' LT	507.716
42	671867.214	2355287.581	31+89.86'	37.85' LT	506.07
43	672607.382	2355992.293	42+00.55'	63.48' RT	491.68

PREPARED BY: **Kaskaskia Engineering Group, LLC**

PROFESSIONAL REGISTRATIONS
 Illinois Professional Design Firm
 Professional Engineering Group

LICENSE NO. 184-004773
 20-5080586

208 East Main Street, Suite 100
 Belleville, Illinois 62220
 618.233.5877 Phone
 618.233.5977 Fax
 www.kaskaskiaeng.com

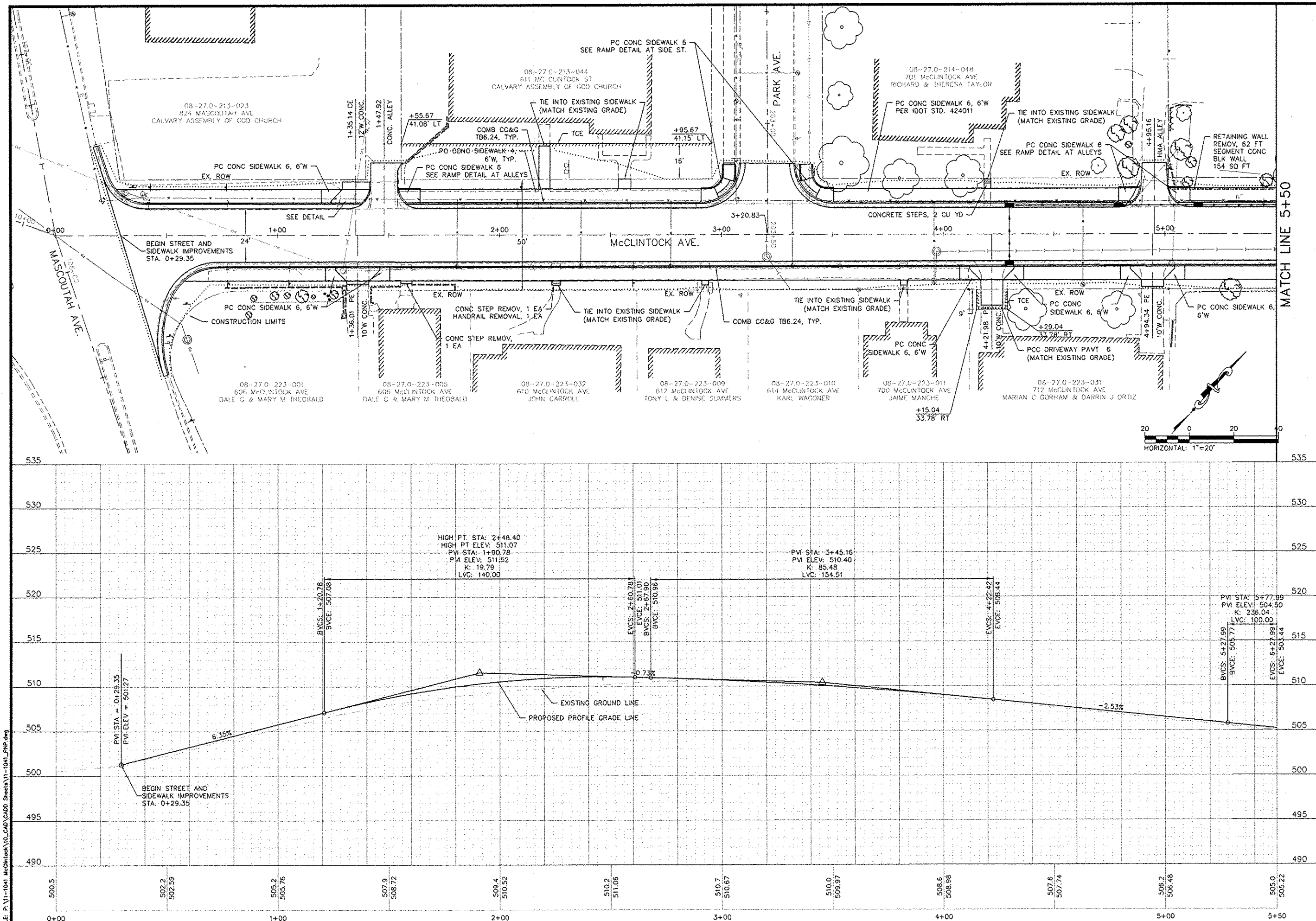
CONTRACT NO. 87531
 SEC. NO. 05-00209-00-PV

REV.	DATE	DESCRIP
△		
△		
△		
△		
△		

SHEET TITLE: **ALIGNMENT AND BENCHMARKS**

PROJECT TITLE: **MCCLINTOCK AVE. STREET IMPROVEMENTS
 CITY OF BELLEVILLE
 ST. CLAIR COUNTY, IL**

DESIGNED BY: TJR	SHEET
DRAWN BY: JLT	11
CHECKED BY: LDC	
DATE OF PRELIMINARY: 03/29/2013	
DATE OF FINAL: 05/24/2013	
SHEET NO. 11 OF 11 SHEETS	
PROJECT NUMBER 11-1041	



PREPARED BY: **Kaskaskia Engineering Group, LLC**

208 East Main Street, Suite 100
 Belleville, Illinois 62220
 618.233.5977 phone
 618.233.5977 fax
 www.kaskaskiaeng.com

LICENSE NO. 184-004773
 PROFESSIONAL REGISTRATIONS
 Illinois Professional Design Firm
 Professional Engineering Group

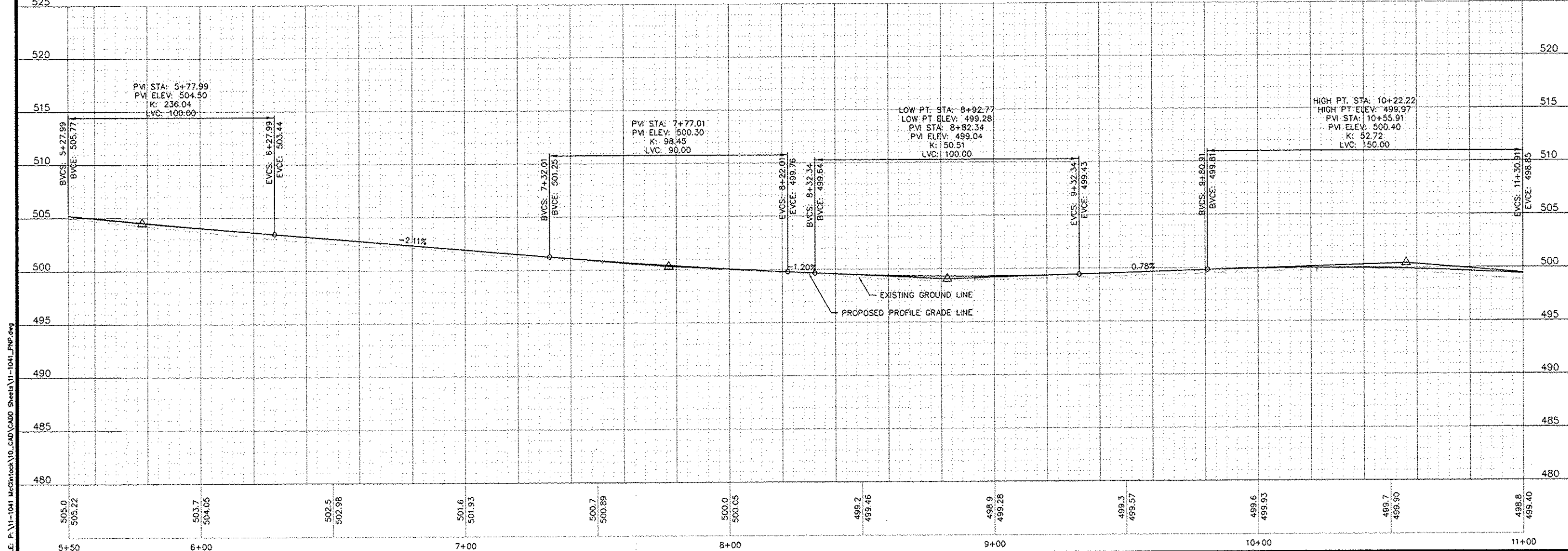
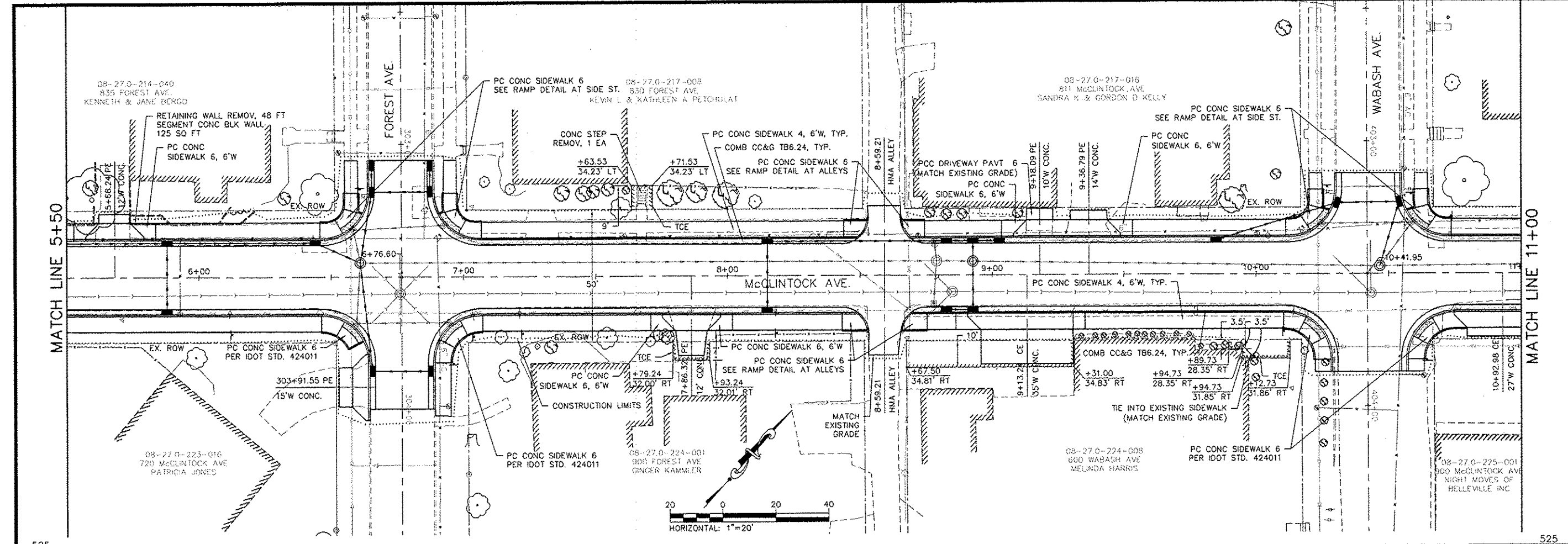
CONTRACT NO. 97531
 SEC. NO. 05-00209-00-PV

REV.	DATE	DESCRIP
△		
△		
△		
△		
△		

PLAN AND PROFILE

PROJECT TITLE:
 MCCLINTOCK AVE. STREET IMPROVEMENTS
 CITY OF BELLEVILLE
 ST. CLAIR COUNTY, IL

DESIGNED BY: IJR	SHEET 12
DRAWN BY: JLT	
CHECKED BY: GEB	
DATE OF PRELIMINARY: 03/29/2013	
DATE OF FINAL: 05/24/2013	
SHEET NO. 12 OF 72 SHEETS	
PROJECT NUMBER: 11-1041	



208 East Main Street, Suite 100
 Belleville, Illinois 62220
 618.233.5877 phone
 618.233.5877 fax
 www.kaskaskiaeng.com

Kaskaskia
 Engineering Group, LLC

PROFESSIONAL REGISTRATIONS
 Illinois Professional Design Firm
 Professional Engineering Group

LICENSE NO. 184-004773
 20-5080586

PREPARED BY:

REV	DATE	DESCRIP
△		
△		
△		
△		

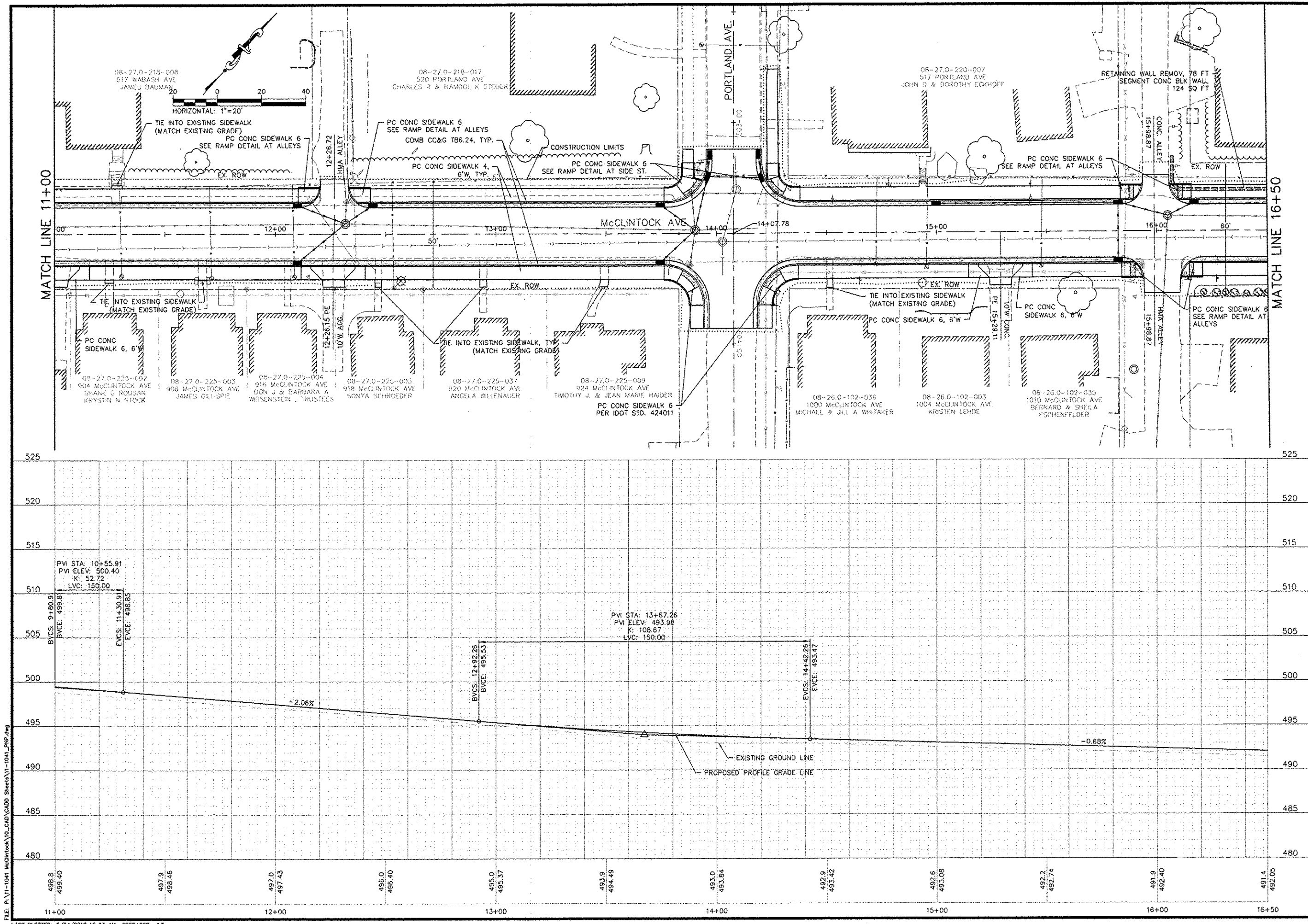
CONTRACT NO. 87531
 SEC. NO. 05-00209-00-PV

PLAN AND PROFILE

PROJECT TITLE:
 MCCLINTOCK AVE. STREET IMPROVEMENTS
 CITY OF BELLEVILLE
 ST. CLAIR COUNTY, IL

DESIGNED BY: TJR	SHEET 13
DRAWN BY: JLT	
CHECKED BY: LJC	
DATE OF PRELIMINARY: 03/29/2013	
DATE OF FINAL: 05/24/2013	
SHEET NO. 11 OF 22 SHEETS	
PROJECT NUMBER 11-1041	

FILE: P:\11-1041_McClintock\10_CADD_Sheets\11-1041_P&P.dwg



FILE: P:\11-1041 McClintock\10_CAD\CADD Sheets\11-1041_PWP.dwg

LAST PLOTTED: 5/24/2013 10:33 AM OPERATOR: JLT

208 East Main Street, Suite 100
 Belleville, Illinois 62220
 618.233.5877 phone
 618.233.5977 fax
 www.kaskaskia.com

Kaskaskia
 Engineering Group, LLC

PROFESSIONAL REGISTRATIONS
 Illinois Professional Design Firm
 Professional Engineering Group

LICENSE NO. 184-004773
 20-5080586

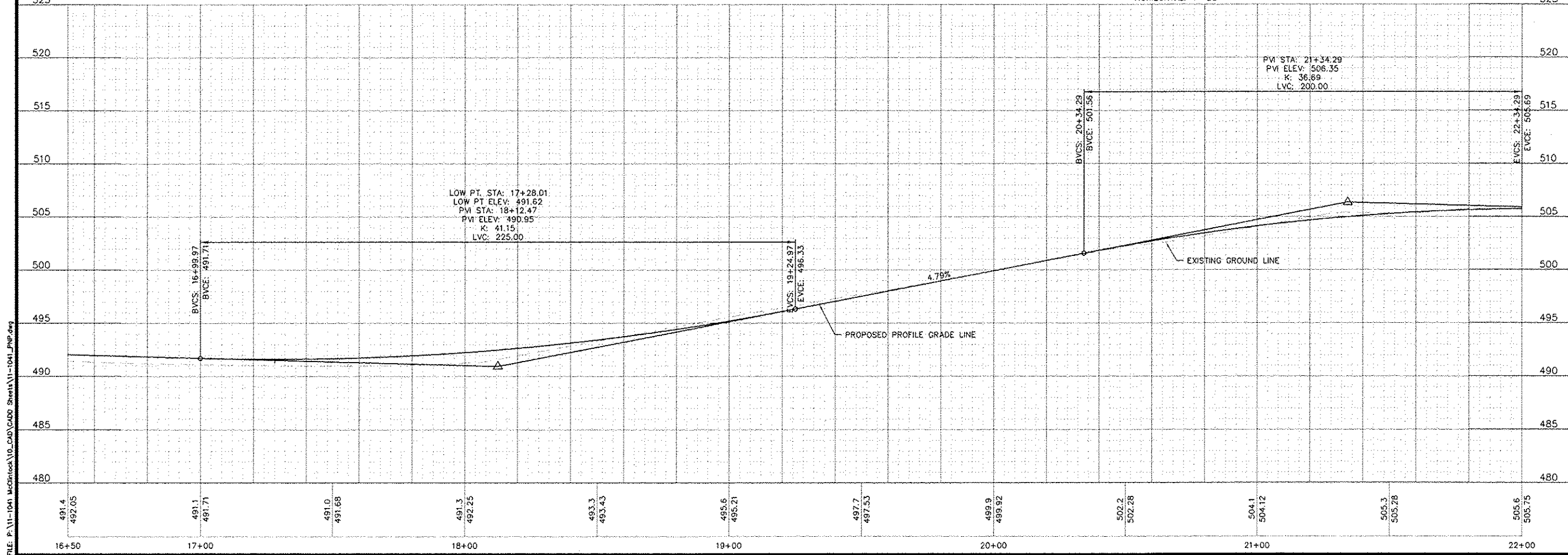
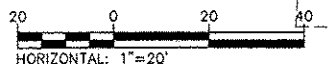
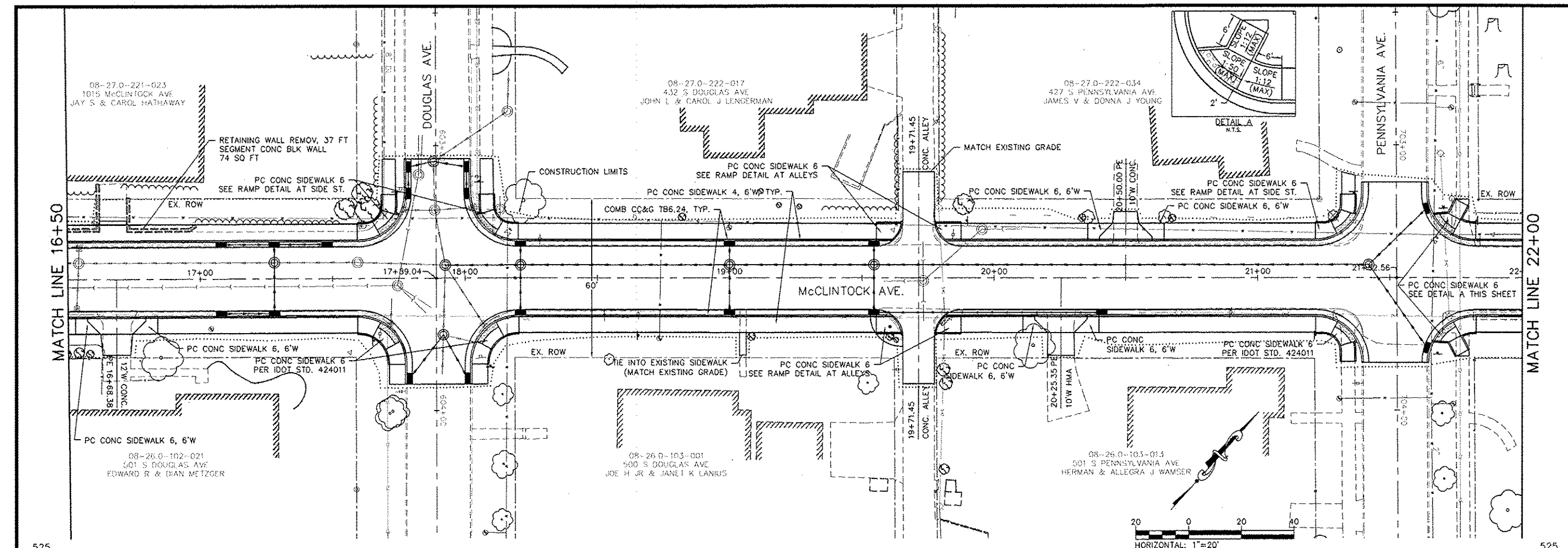
CONTRACT NO. 97531
 SEC. NO. 05-00209-00-PV

REV.	DATE	DESCRIP
△		
△		
△		
△		
△		

SHEET TITLE: PLAN AND PROFILE

PROJECT TITLE: MCCLINTOCK AVE. STREET IMPROVEMENTS
 CITY OF BELLEVILLE
 ST. CLAIR COUNTY, IL

DESIGNED BY: TJR	SHEET 14
DRAWN BY: JLT	
CHECKED BY: GEB	
DATE OF PRELIMINARY: 03/29/2013	
DATE OF FINAL: 05/24/2013	
SHEET NO. 14 OF 22 SHEETS	
PROJECT NUMBER 11-1041	



FILE: F:\11-1041_McClintock\10_CADD\CADD Sheets\11-1041_PNP.dwg

LAST PLOTTED: 5/24/2013 10:33 AM OPERATOR: JLT

209 East Main Street, Suite 100
 Belleville, Illinois 62220
 618.233.5877 phone
 618.233.5877 fax
 www.kaskasiaeng.com

Kaskasia
 Engineering Group, LLC

PROFESSIONAL REGISTRATIONS
 Illinois Professional Design Firm
 Professional Engineering Group

LICENSE NO. 184.004773
 20-S080586

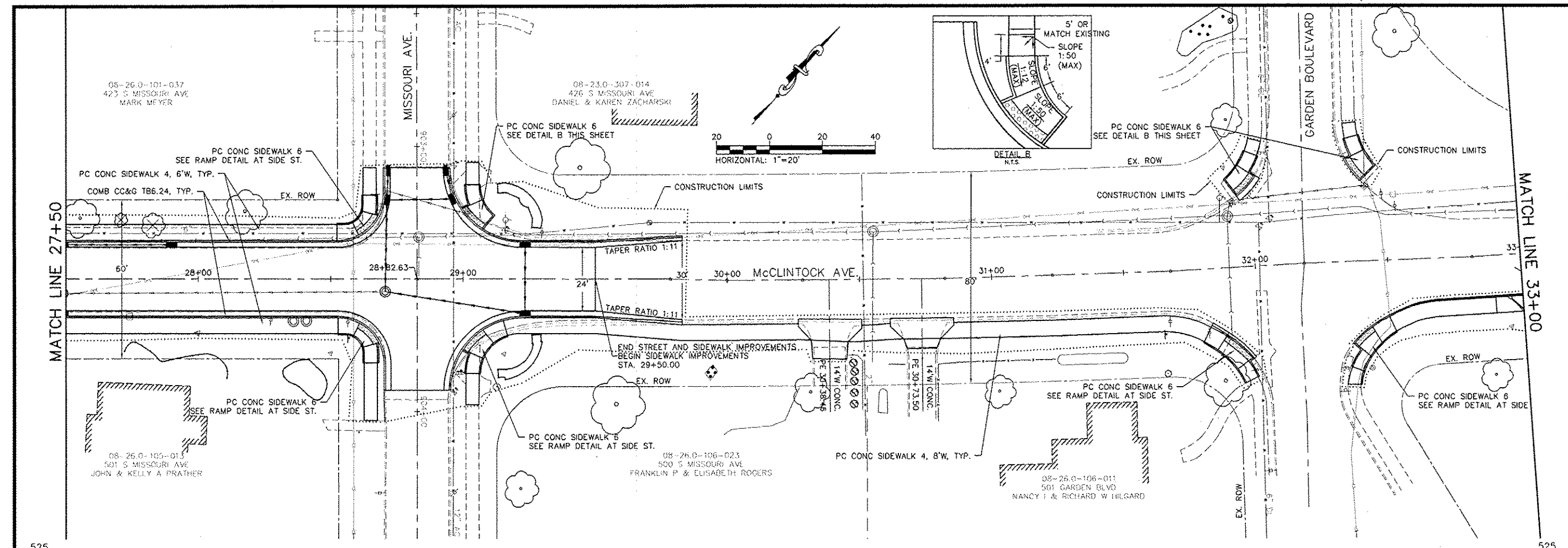
CONTRACT NO. 97531
 SEC. NO. 05-00209-00-PV

REV.	DATE	DESCRIP
△		
△		
△		
△		

SHEET TITLE: PLAN AND PROFILE

PROJECT TITLE: MCCLINTOCK AVE. STREET IMPROVEMENTS
 CITY OF BELLEVILLE
 ST. CLAIR COUNTY, IL

DESIGNED BY: TJR	SHEET
DRAWN BY: JLT	15
CHECKED BY: LDC	
DATE OF PRELIMINARY: 03/29/2013	
DATE OF FINAL: 05/24/2013	
SHEET NO. 15 OF 22 SHEETS	
PROJECT NUMBER 11-1041	



208 East Main Street, Suite 100
Belleville, Illinois 62220
618.233.5877 phone
618.233.5977 fax
www.kaskasia.com

Kaskasia
Engineering Group, LLC

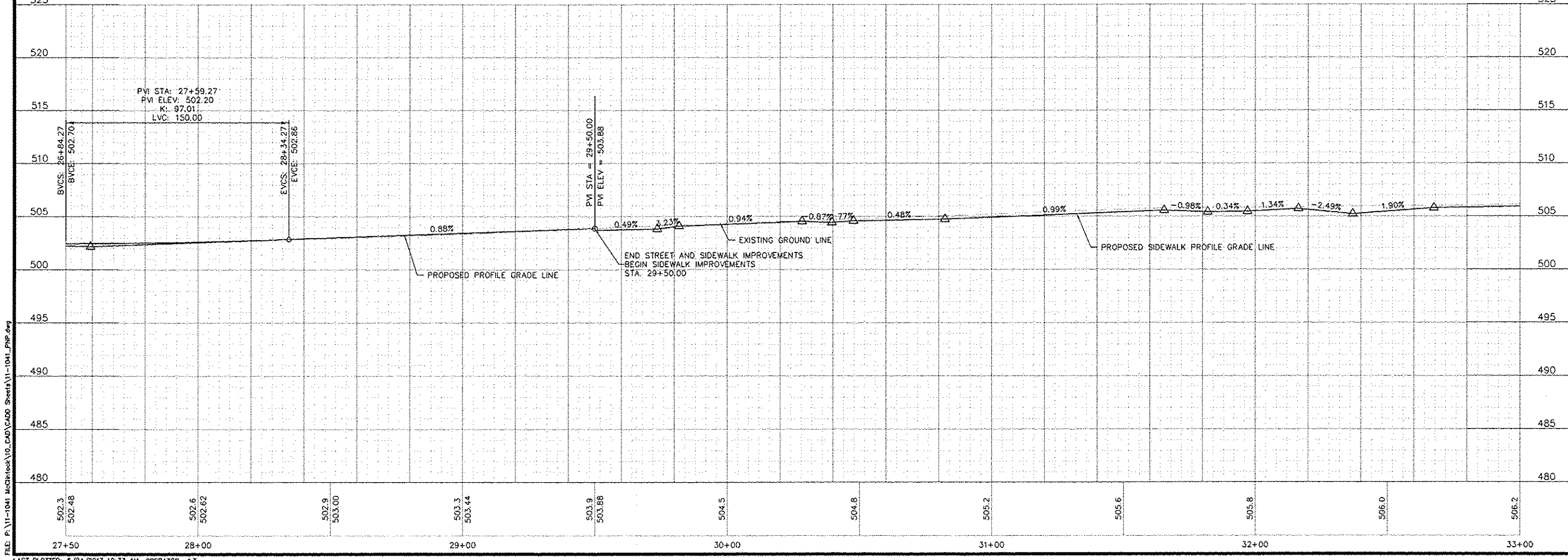
PROFESSIONAL REGISTRATIONS
Illinois Professional Design Firm
Professional Engineering Group

LICENSE NO. 184.004773
20-5080586

PREPARED BY:

CONTRACT NO. 07531
SEC. NO. 05-00209-00-PV

REV	DATE	DESCRIP
△		
△		
△		
△		
△		

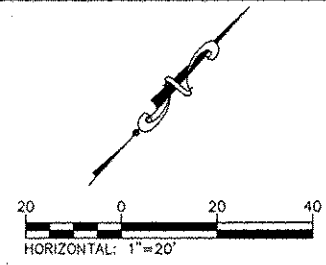
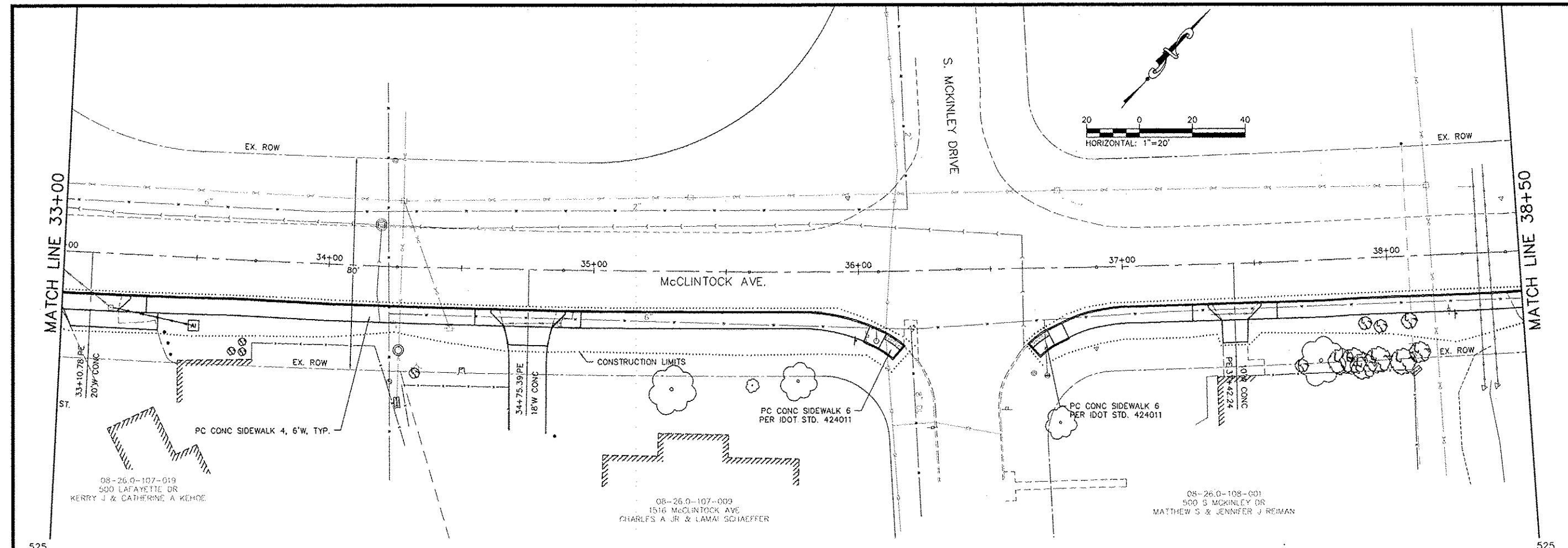


PLAN AND PROFILE

PROJECT TITLE:
MCCLINTOCK AVE. STREET IMPROVEMENTS
CITY OF BELLEVILLE
ST. CLAIR COUNTY, IL

DESIGNED BY: TUR	SHEET 17
DRAWN BY: JLT	
CHECKED BY: GEB	
DATE OF PRELIMINARY: 03/29/2013	
DATE OF FINAL: 05/24/2013	
SHEET NO. 17 OF 77 SHEETS	
PROJECT NUMBER 11-1041	

FILE: P:\11-1041 McClintock\10_CADD\Sheet\11-1041_P1P.dwg



208 East Main Street, Suite 100
 Belleville, Illinois 62220
 618.333.5877 phone
 618.333.5977 fax
 www.kaskasiaeng.com

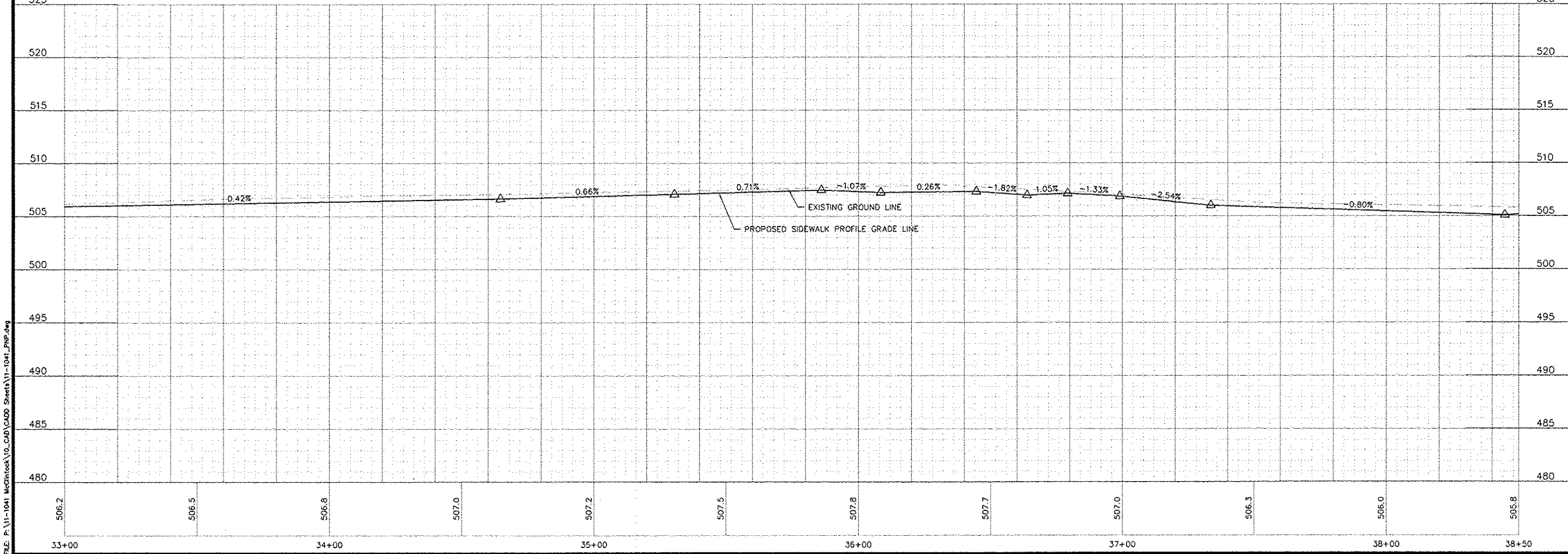
Kaskasia
 Engineering Group, LLC

PROFESSIONAL REGISTRATIONS
 Illinois Professional Design Firm
 Professional Engineering Group

LICENSE NO. 184-004773
 20-5080586

CONTRACT NO. 97531
 SEC. NO. 05-00209-00-PV

REV.	DATE	DESCRIP
△		
△		
△		
△		
△		

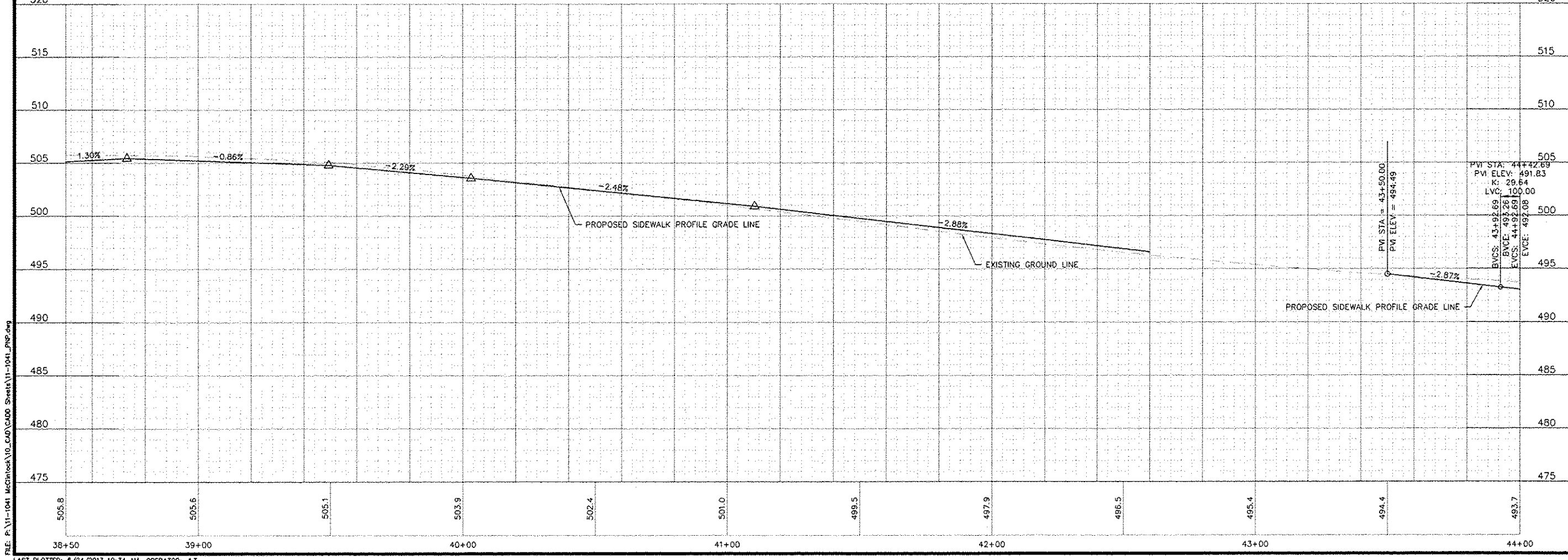
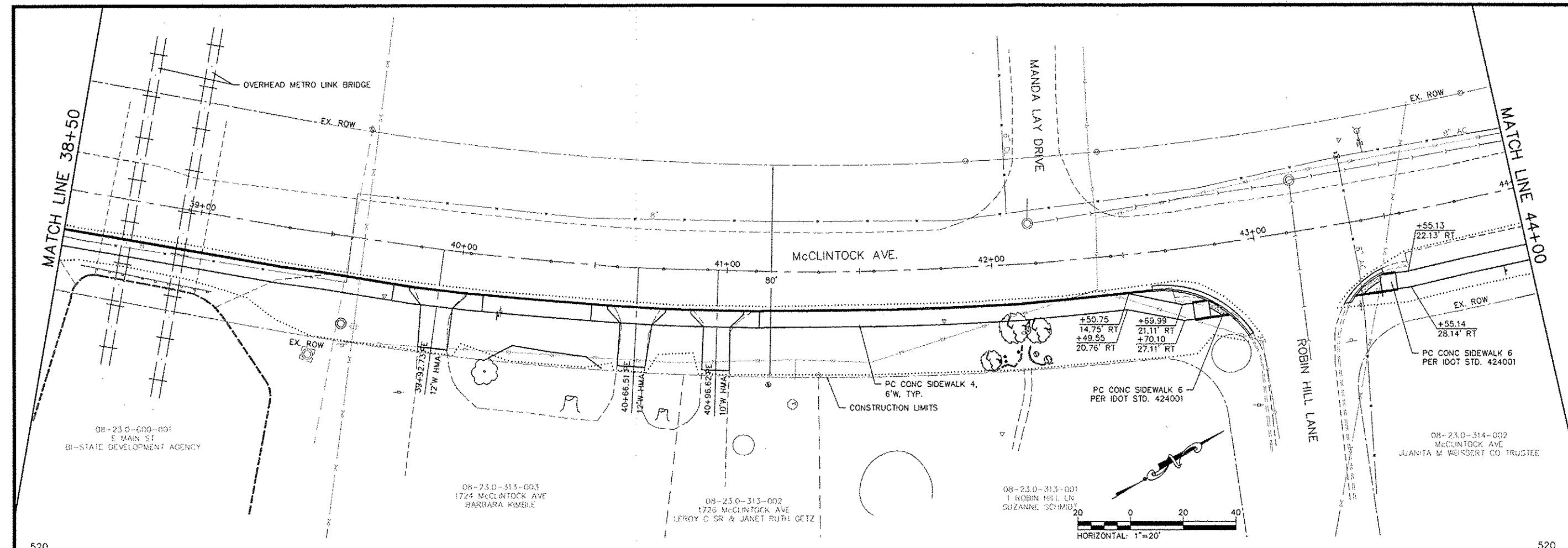


PLAN AND PROFILE

PROJECT TITLE:
 MCCLINTOCK AVE. STREET IMPROVEMENTS
 CITY OF BELLEVILLE
 ST. CLAIR COUNTY, IL

DESIGNED BY: TJR	SHEET 18
DRAWN BY: JLT	
CHECKED BY: LDC	
DATE OF PRELIMINARY: 03/29/2013	
DATE OF FINAL: 05/24/2013	
SHEET NO. 18 OF 22 SHEETS	
PROJECT NUMBER 11-1041	

FILE: F:\11-1041 McClintock\10_CAD\CADD Sheets\11-1041_PWP.dwg



208 East Main Street, Suite 100
 Belleville, Illinois 62220
 618.233.8877 phone
 618.233.8977 fax
 www.kaskaskia.com

Kaskaskia Engineering Group, LLC

PROFESSIONAL REGISTRATIONS
 Illinois Professional Design Firm
 Professional Engineering Group

LICENSE NO. 184-004773
 20-5080586

PREPARED BY:

CONTRACT NO. 97531
 SEC. NO. 05-00209-00-PV

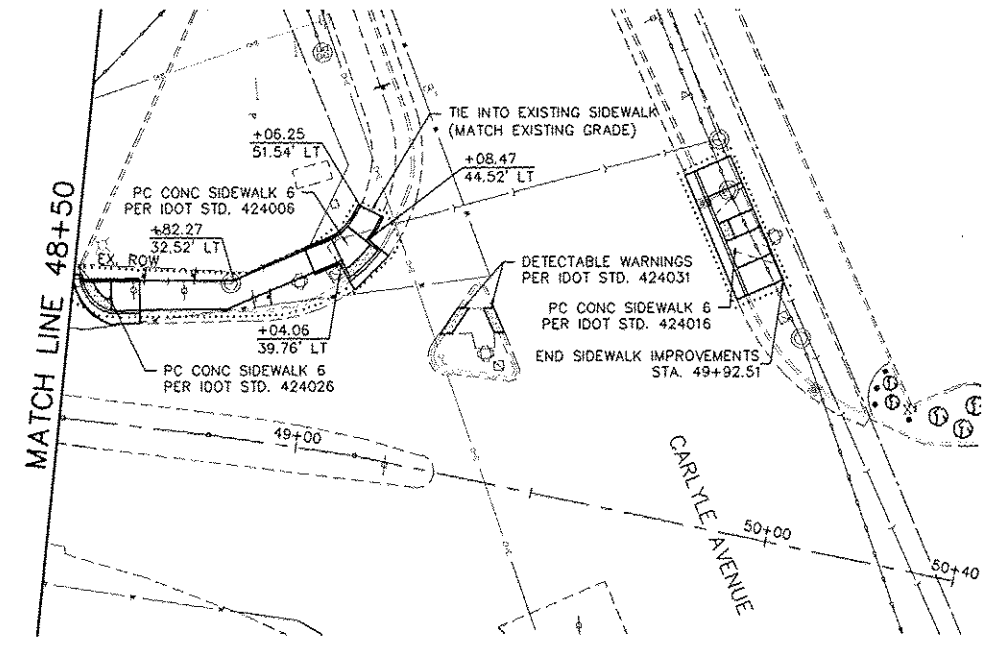
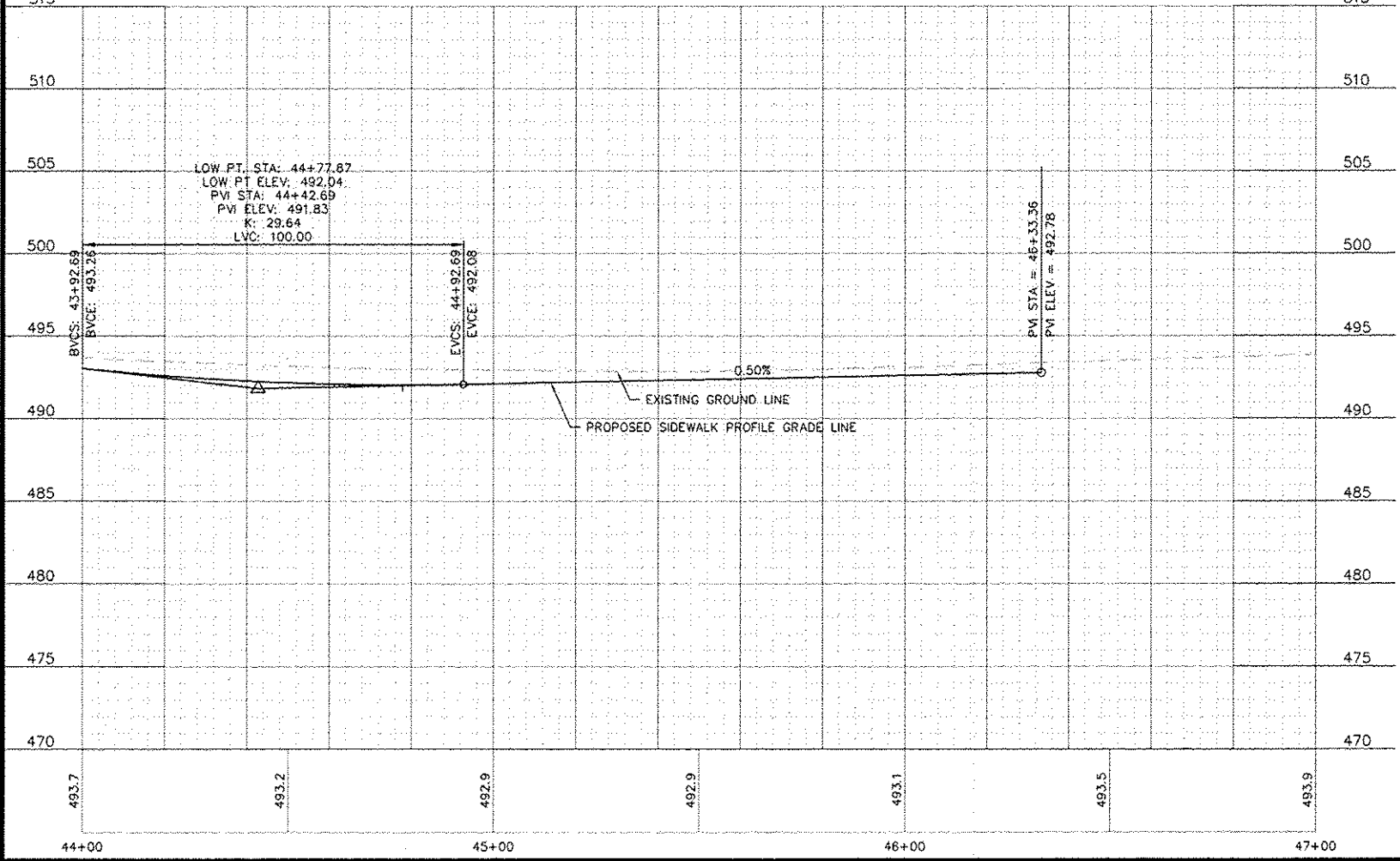
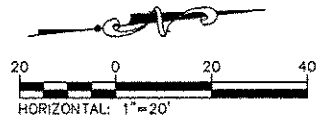
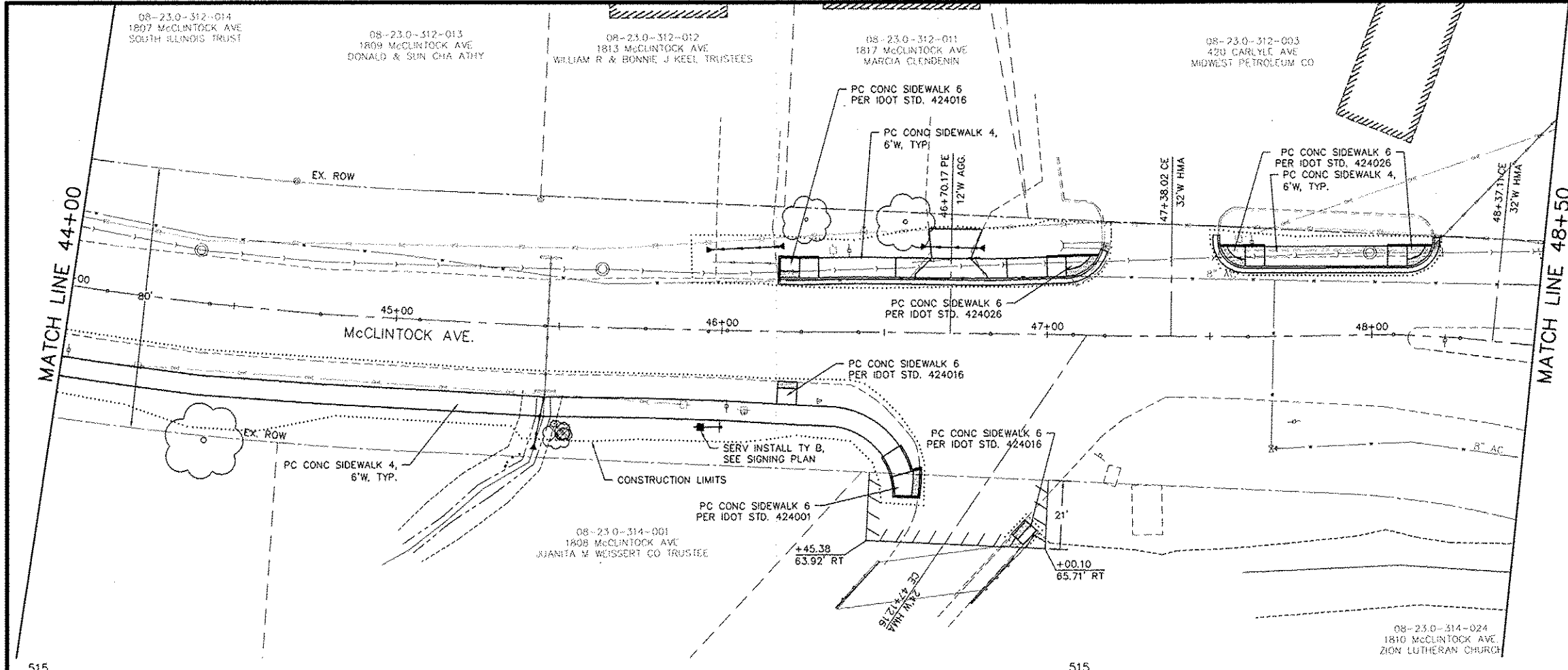
REV.	DATE	DESCRIP
△		
△		
△		
△		
△		

PLAN AND PROFILE

PROJECT TITLE:
 McCLINTOCK AVE. STREET IMPROVEMENTS
 CITY OF BELLEVILLE
 ST. CLAIR COUNTY, IL

DESIGNED BY: TJR	SHEET
DRAWN BY: HLT	19
CHECKED BY: LOC	
DATE OF PRELIMINARY: 03/29/2013	
DATE OF FINAL: 03/24/2013	
SHEET NO. 19 OF 77 SHEETS	
PROJECT NUMBER: 11-1041	

FILE: P:\11-1041_McClintock\10_CAD\CAD00_Sheets\11-1041_PVP.dwg
 LAST PLOTTED: 5/24/2013 10:34 AM OPERATOR: JLT



PREPARED BY:

Kaskaskia
Engineering Group, LLC

PROFESSIONAL REGISTRATIONS
Illinois Professional Design Firm
Professional Engineering Group

208 East Main Street, Suite 100
Belleville, Illinois 62220
618.233.5877 phone
618.233.5877 fax
www.kaskaskiaeng.com

LICENSE NO.
184.004773
20-S0803586

CONTRACT NO. 07531
SEC. NO. 05-00209-00-PV

REV.	DATE	DESCRIP
△		
△		
△		
△		
△		

SHEET TITLE:
PLAN AND PROFILE

PROJECT TITLE:
**MCCLINTOCK AVE. STREET IMPROVEMENTS
CITY OF BELLEVILLE
ST. CLAIR COUNTY, IL**



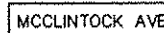


DESIGNED BY: TJR	SHEET
DRAWN BY: JLT	20
CHECKED BY: GEB	
DATE OF PRELIMINARY: 03/29/2013	
DATE OF FINAL: 05/24/2013	
SHEET NO. 20 OF 22 SHEETS	
PROJECT NUMBER: 11-1041	

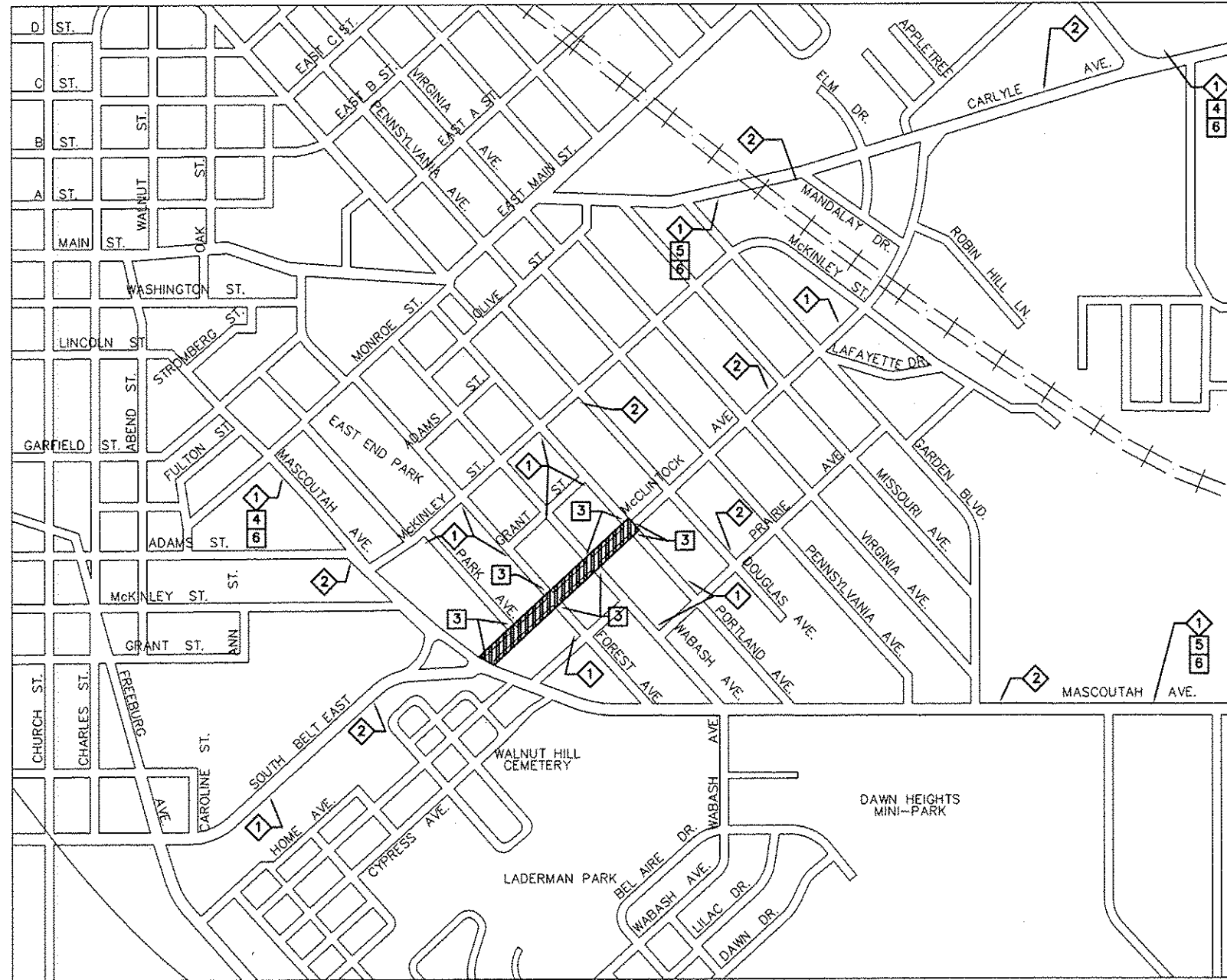
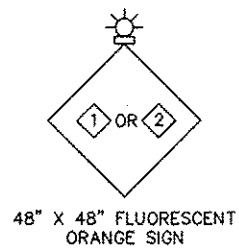
FILE: P:\11-1041_McClintock\10_CAD\000_Sheets\11-1041_P&P.dwg

NOTES

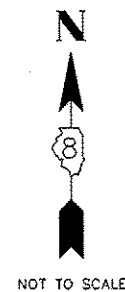
1. TYPE III BARRICADES AND ROAD CLOSURE SIGNS SHALL BE POSITIONED AS SHOWN IN ACCORDANCE WITH HIGHWAY STANDARD 701901 AND AS DIRECTED BY THE ENGINEER.
2. TYPE A LOW INTENSITY FLASHING WARNING LIGHTS SHALL BE USED ON EACH SIGN IN ADVANCE OF THE WORK DURING HOURS OF DARKNESS.
3. ALL WARNING SIGNS SHALL BE A MINIMUM OF 48"X48" AND HAVE A BLACK LEGEND AND BORDER ON A FLUORESCENT ORANGE REFLECTORIZED BACKGROUND.
4. LONGITUDINAL DISTANCES MAY BE ADJUSTED TO FIT FIELD CONDITIONS.
5. CONTRACTOR TO NOTIFY ALL RESIDENTS, FRONTING THE PROJECT, AT LEAST 48 HOURS PRIOR TO ROAD CLOSURES AFFECTING THEIR ACCESS.
6. THE CONTRACTOR SHALL MAINTAIN ACCESS TO ENTRANCES AT ALL TIMES.
7. ALL TYPE III BARRICADES UTILIZED FOR ROAD CLOSURES SHALL HAVE A LOW INTENSITY FLASHING LIGHT MOUNTED ON TOP OF EACH BARRICADE.
8. EXACT LOCATION OF ALL WARNING SIGNS AND BARRICADES SHALL BE STAKED IN THE FIELD FOR APPROVAL BY THE ENGINEER PRIOR TO INSTALLATION.
9. SEE HIGHWAY STANDARD 701701 FOR LANE CLOSURES ON IL 177/158 (MASCOUTAH AVENUE)

LEGEND

- 1 W20-3(0)-48 (ROAD CLOSED AHEAD)
- 2 W20-1(0)-48 (ROAD CONSTRUCTION AHEAD)
- 3 TYPE III BARRICADES WITH R-11-2-4830 (ROAD CLOSED) SIGN AND TYPE A LOW INTENSITY FLASHING LIGHTS
- 4 24" X 24" 
- 5 24" X 24" 
- 6 W16-8(0)-1808 (ALL 4" LETTERS) 
-  TYPE A LOW INTENSITY FLASHING LIGHT
-  WORK ZONE - STAGE 1 (MASCOUTAH AVENUE THRU PORTLAND AVENUE)



STAGE 1 CONSTRUCTION



208 East Main Street, Suite 100
 Belleville, Illinois 62220
 618.233.5977 phone
 618.233.5977 fax
 www.kaskaskiaeng.com

Kaskaskia
 Engineering Group, LLC

PROFESSIONAL REGISTRATIONS
 Illinois Professional Design Firm
 Professional Engineering Group

PREPARED BY:

CONTRACT NO. 97531
 SEC. NO. 05-00209-00-PV

REV.	DATE	DESCRIP

TRAFFIC CONTROL PLAN






PROJECT TITLE:
**MCCLINTOCK AVE. STREET IMPROVEMENTS
 CITY OF BELLEVILLE
 ST. CLAIR COUNTY, IL**

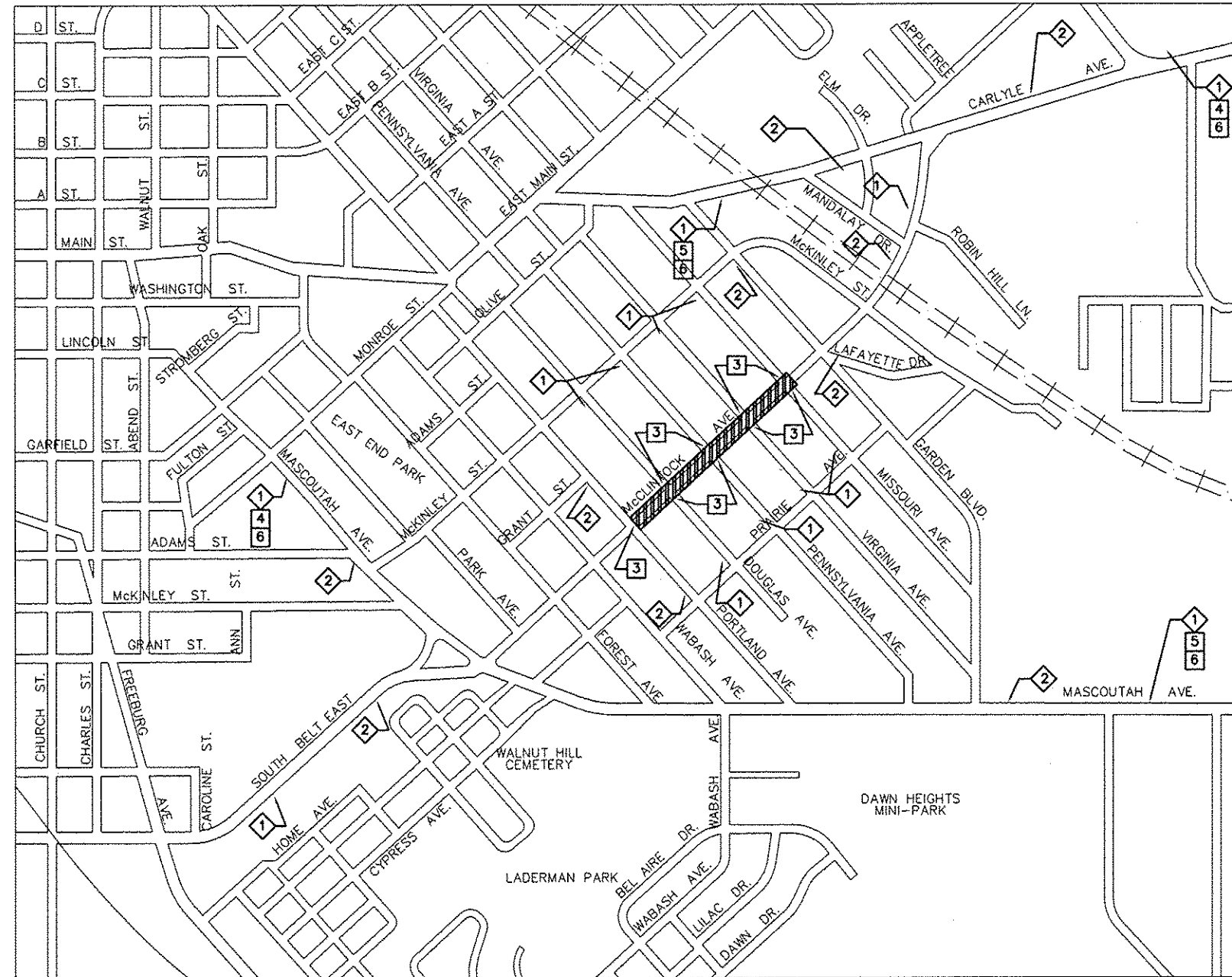
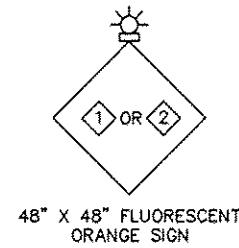
DESIGNED BY: TJR	SHEET
DRAWN BY: JLT	21
CHECKED BY: LDC	
DATE OF PRELIMINARY: 03/29/2013	
DATE OF FINAL: 05/24/2013	
SHEET NO. 21 OF 72 SHEETS	
PROJECT NUMBER 11-1041	

NOTES

1. TYPE III BARRICADES AND ROAD CLOSURE SIGNS SHALL BE POSITIONED AS SHOWN IN ACCORDANCE WITH HIGHWAY STANDARD 701901 AND AS DIRECTED BY THE ENGINEER.
2. TYPE A LOW INTENSITY FLASHING WARNING LIGHTS SHALL BE USED ON EACH SIGN IN ADVANCE OF THE WORK DURING HOURS OF DARKNESS.
3. ALL WARNING SIGNS SHALL BE A MINIMUM OF 48"X48" AND HAVE A BLACK LEGEND AND BORDER ON A FLUORESCENT ORANGE REFLECTORIZED BACKGROUND.
4. LONGITUDINAL DISTANCES MAY BE ADJUSTED TO FIT FIELD CONDITIONS.
5. CONTRACTOR TO NOTIFY ALL RESIDENTS, FRONTING THE PROJECT, AT LEAST 48 HOURS PRIOR TO ROAD CLOSURES AFFECTING THEIR ACCESS.
6. THE CONTRACTOR SHALL MAINTAIN ACCESS TO ENTRANCES AT ALL TIMES.
7. ALL TYPE III BARRICADES UTILIZED FOR ROAD CLOSURES SHALL HAVE A LOW INTENSITY FLASHING LIGHT MOUNTED ON TOP OF EACH BARRICADE.
8. EXACT LOCATION OF ALL WARNING SIGNS AND BARRICADES SHALL BE STAKED IN THE FIELD FOR APPROVAL BY THE ENGINEER PRIOR TO INSTALLATION.

LEGEND

- 1 W20-3(0)-48 (ROAD CLOSED AHEAD)
- 2 W20-1(0)-48 (ROAD CONSTRUCTION AHEAD)
- 3 TYPE III BARRICADES WITH R-11-2-4830 (ROAD CLOSED) SIGN AND TYPE A LOW INTENSITY FLASHING LIGHTS
- 4 24" X 24" 
- 5 24" X 24" 
- 6 W16-8(0)-1808 (ALL 4" LETTERS) 
-  TYPE A LOW INTENSITY FLASHING LIGHT
-  WORK ZONE - STAGE 2 (PORTLAND AVENUE THRU MISSOURI AVENUE)



STAGE 2 CONSTRUCTION



NOT TO SCALE

208 East Main Street, Suite 100
 Belleville, Illinois 62220
 618.333.5877 Phone
 618.333.5977 Fax
 www.kaskasiaeng.com

Kaskasia
 Engineering Group, LLC

PROFESSIONAL REGISTRATIONS
 Illinois Professional Design Firm
 Professional Engineering Group

LICENSE NO.
 184-004773
 20-5080386

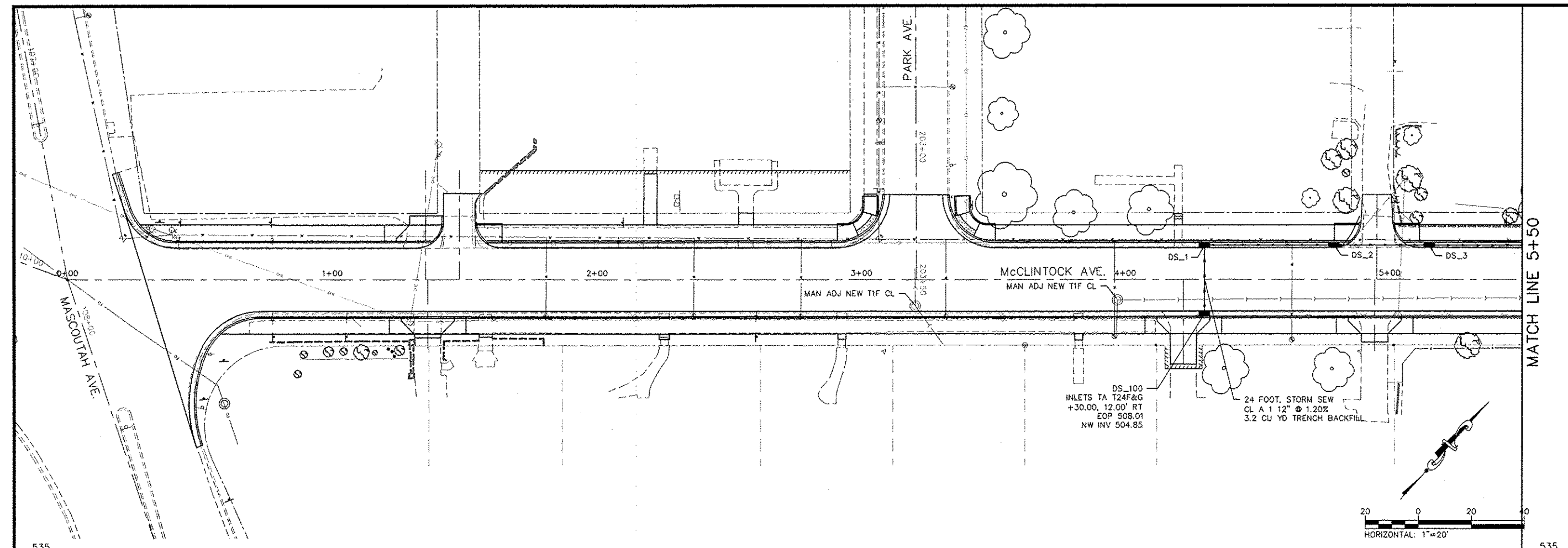
CONTRACT NO. 87531
 SEC. NO. 05-00209-00-PV

REV	DATE	DESCRIP
△		
△		
△		
△		
△		

TRAFFIC CONTROL PLAN

PROJECT TITLE:
 MCCLINTOCK AVE. STREET IMPROVEMENTS
 CITY OF BELLEVILLE
 ST. CLAIR COUNTY, IL

DESIGNED BY: TJR	SHEET
DRAWN BY: JLT	22
CHECKED BY: LDC	
DATE OF PRELIMINARY: 03/29/2013	
DATE OF FINAL: 05/24/2013	
SHEET NO. 22 OF 22 SHEETS	
PROJECT NUMBER: 11-1041	



208 East Main Street, Suite 100
 Belleville, Illinois 62220
 618.233.5877 phone
 618.233.5977 fax
 www.kaskasiaeng.com

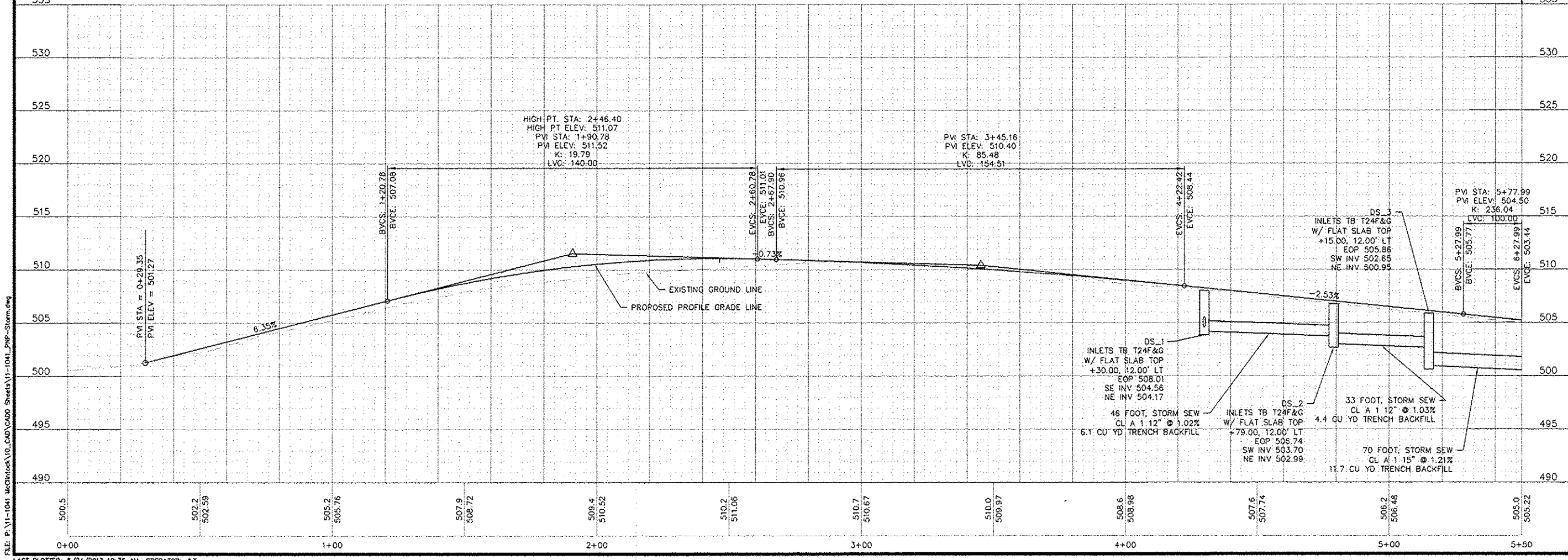
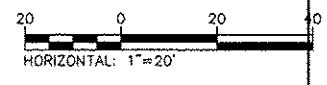
Kaskasia
 Engineering Group, LLC

PROFESSIONAL REGISTRATIONS
 Illinois Professional Design Firm
 Professional Engineering Group

LICENSE NO. 184.004773
 20-5080586

CONTRACT NO. 97531
 SEC. NO. 05-00209-00-PV

REV	DATE	DESCRIP
△		
△		
△		
△		
△		

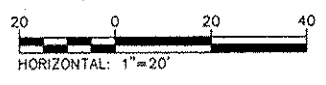
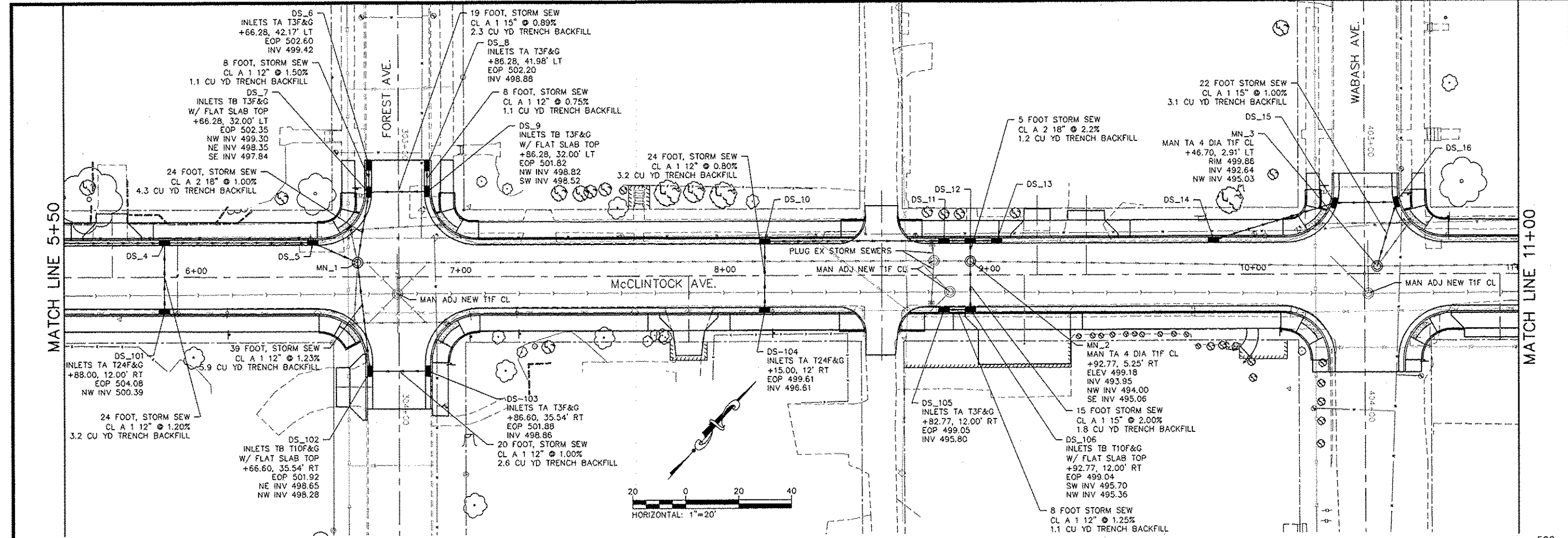


SHEET TITLE: STORM SEWER PLAN AND PROFILE

PROJECT TITLE: MCCLINTOCK AVE. STREET IMPROVEMENTS
 CITY OF BELLEVILLE
 ST. CLAIR COUNTY, IL

DESIGNED BY: TJR	SHEET
DRAWN BY: JLT	23
CHECKED BY: LDC	
DATE OF PRELIMINARY: 03/29/2013	
DATE OF FINAL: 05/24/2013	
SHEET NO. 23 OF 27 SHEETS	
PROJECT NUMBER 11-1041	

FILE: P:\11-1041\McClintock\10_CAD\CADD Sheets\11-1041_PWP-Storm.dwg



208 East Main Street, Suite 100
 Belleville, Illinois 62220
 618.333.5877 Phone
 618.333.5977 Fax
 www.kaskasia.com

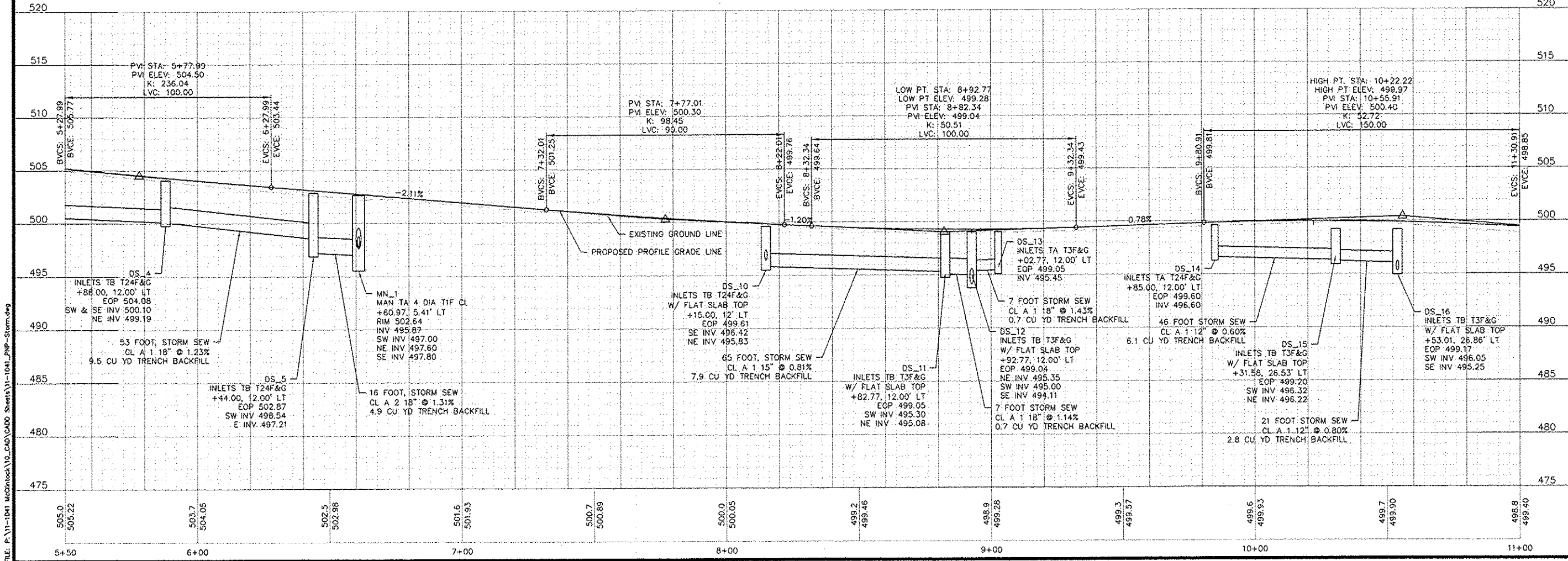
Kaskasia
 Engineering Group, LLC

PROFESSIONAL REGISTRATIONS
 Illinois Professional Design Firm
 Professional Engineering Group

LICENSE NO. 184-004773
 20-5080386

CONTRACT NO. 97531
 SEC. NO. 05-00209-00-PV

REV.	DATE	DESCRIP
△		
△		
△		
△		
△		



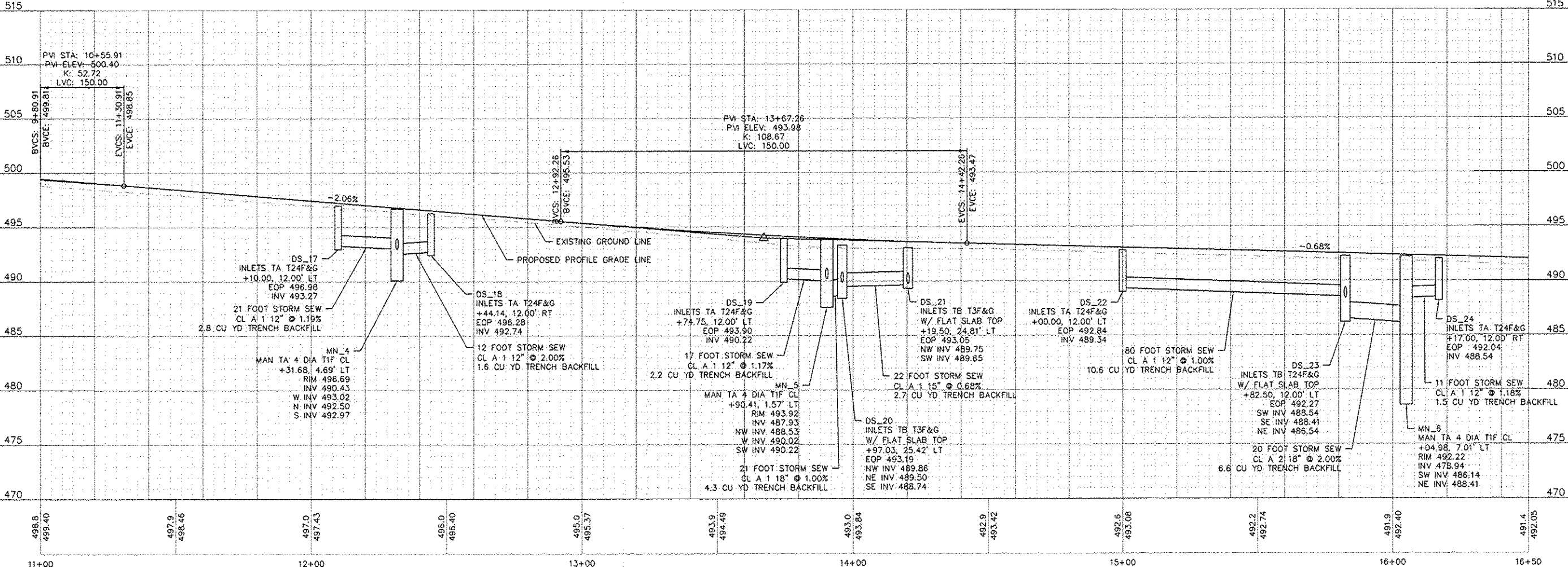
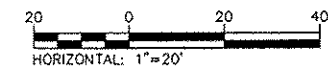
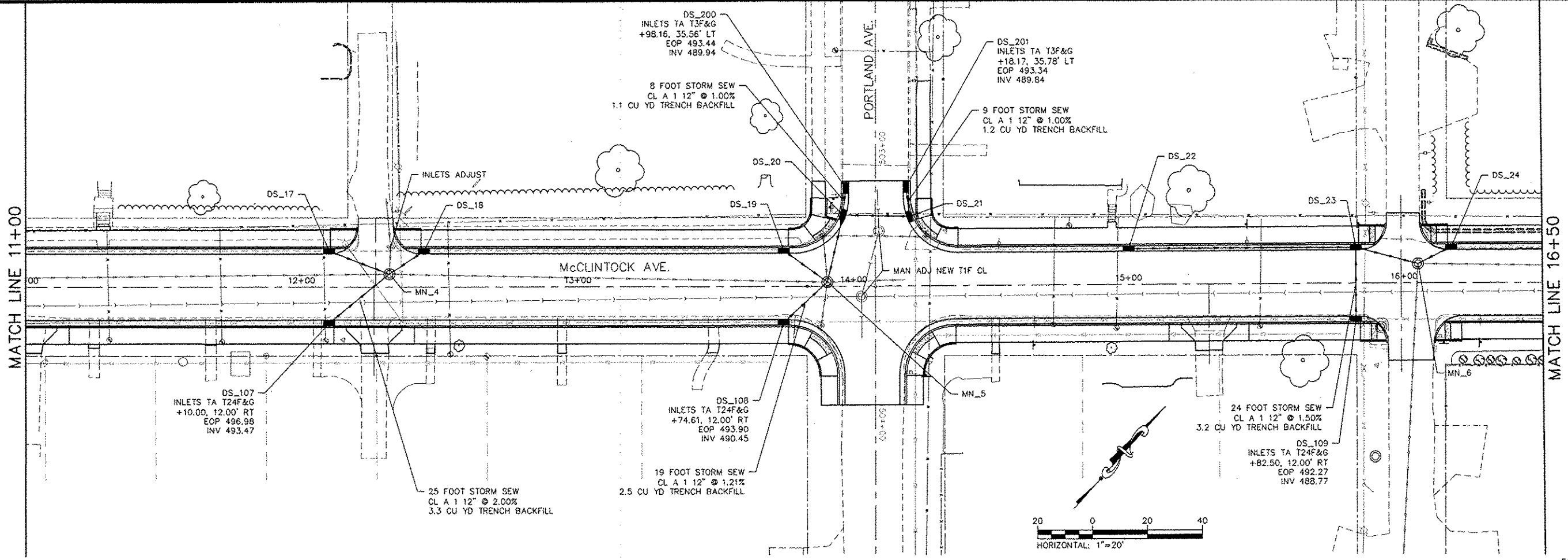
SHEET TITLE:
STORM SEWER PLAN AND PROFILE

PROJECT TITLE:
**MCCLINTOCK AVE. STREET IMPROVEMENTS
 CITY OF BELLEVILLE
 ST. CLAIR COUNTY, IL**

DESIGNED BY: TJR	SHEET 24
DRAWN BY: JLT	
CHECKED BY: LDC	
DATE OF PRELIMINARY: 03/29/2013	
DATE OF FINAL: 05/24/2013	
SHEET NO. 24 OF 22 SHEETS	
PROJECT NUMBER 11-1091	

MATCH LINE 11+00

MATCH LINE 16+50

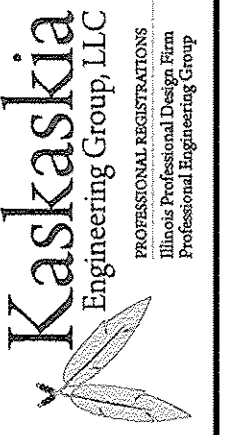


FILE: P:\11-1041_McClintock\10_CAD\CADD Sheets\11-1041_PWP-Storm.dwg

LAST PLOTTED: 5/24/2013 10:36 AM OPERATOR: JLT

208 East Main Street, Suite 100
 Belleville, Illinois 62220
 618.233.5877 phone
 618.233.5977 fax
 www.kaskaskiaeng.com

LICENSE NO. 184-004773
 20-5080586



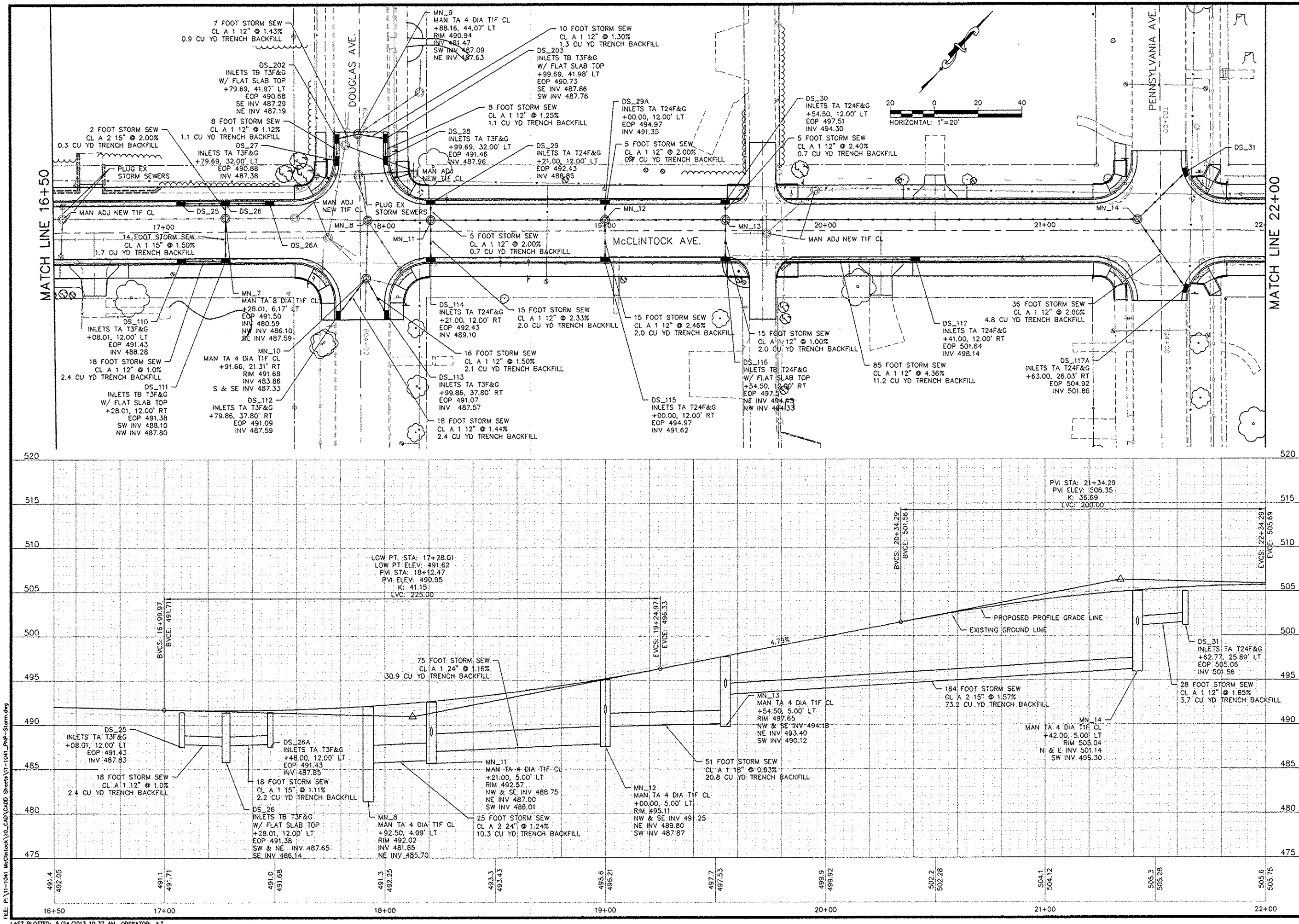
CONTRACT NO. 97531
 SEC. NO. 05-00209-00-PV

REV.	DATE	DESCRIP.
△		
△		
△		
△		

SHEET TITLE:
STORM SEWER PLAN AND PROFILE

PROJECT TITLE:
**MCCLINTOCK AVE. STREET IMPROVEMENTS
 CITY OF BELLEVILLE
 ST. CLAIR COUNTY, IL**

DESIGNED BY: TJR	SHEET 25
DRAWN BY: JLT	
CHECKED BY: LDC	
DATE OF PRELIMINARY: 03/29/2013	
DATE OF FINAL: 05/24/2013	
SHEET NO. 25 OF 22 SHEETS	
PROJECT NUMBER: 111041	



PREPARED BY: **Kaskaskia Engineering Group, LLC**

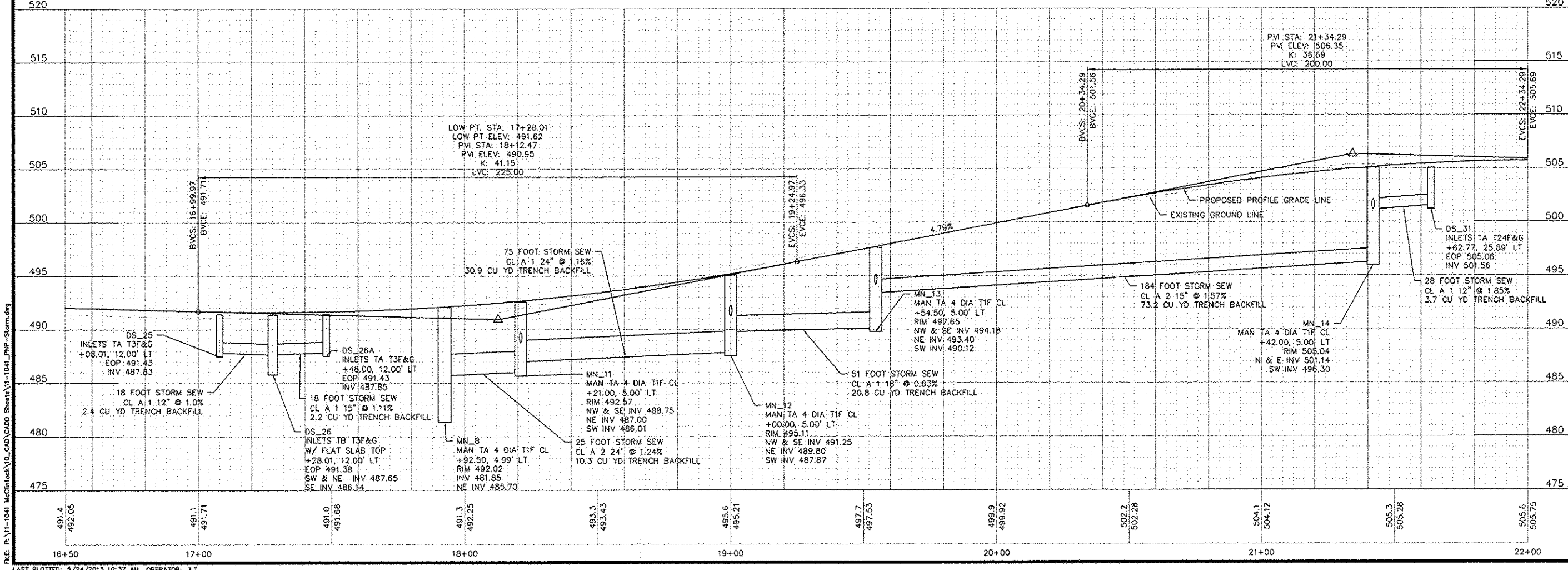
PROFESSIONAL REGISTRATIONS
 Illinois Professional Design Firm
 Professional Engineering Group

208 East Main Street, Suite 100
 Belleville, Illinois 62220
 618.333.5877 phone
 618.333.5977 fax
 www.kaskaskiaeng.com

LICENSE NO. 184-004773
 20-5080586

CONTRACT NO. 97531
 SEC. NO. 05-00209-00-PV

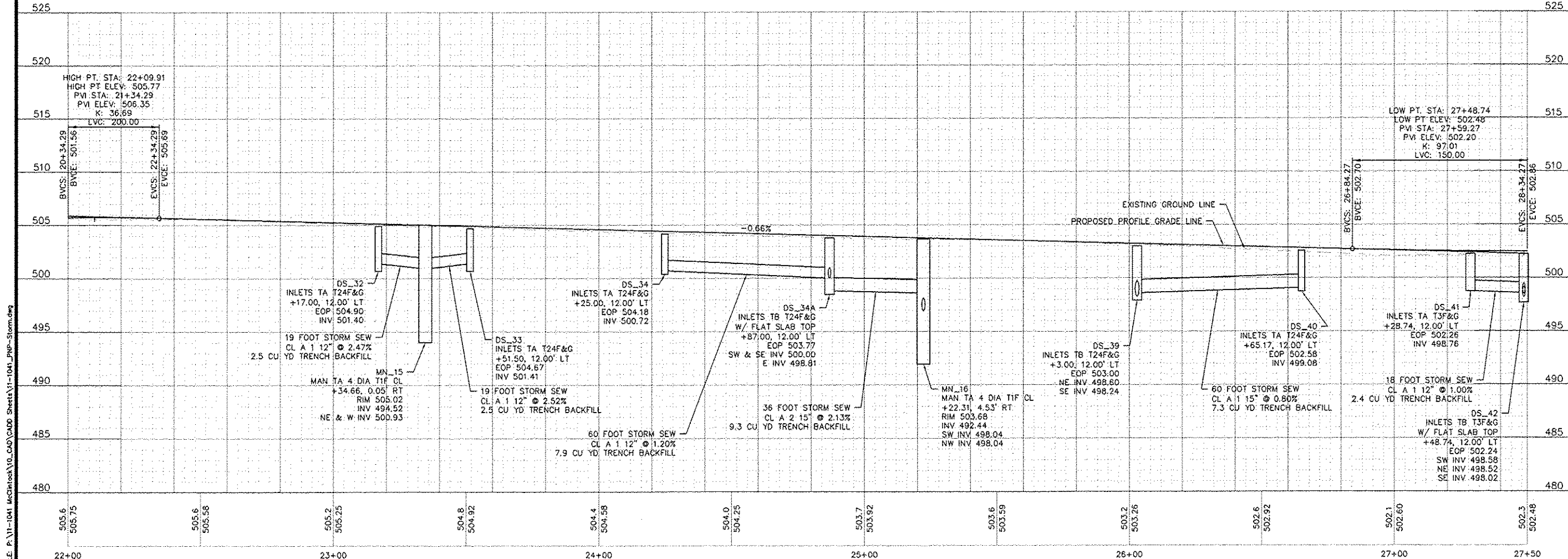
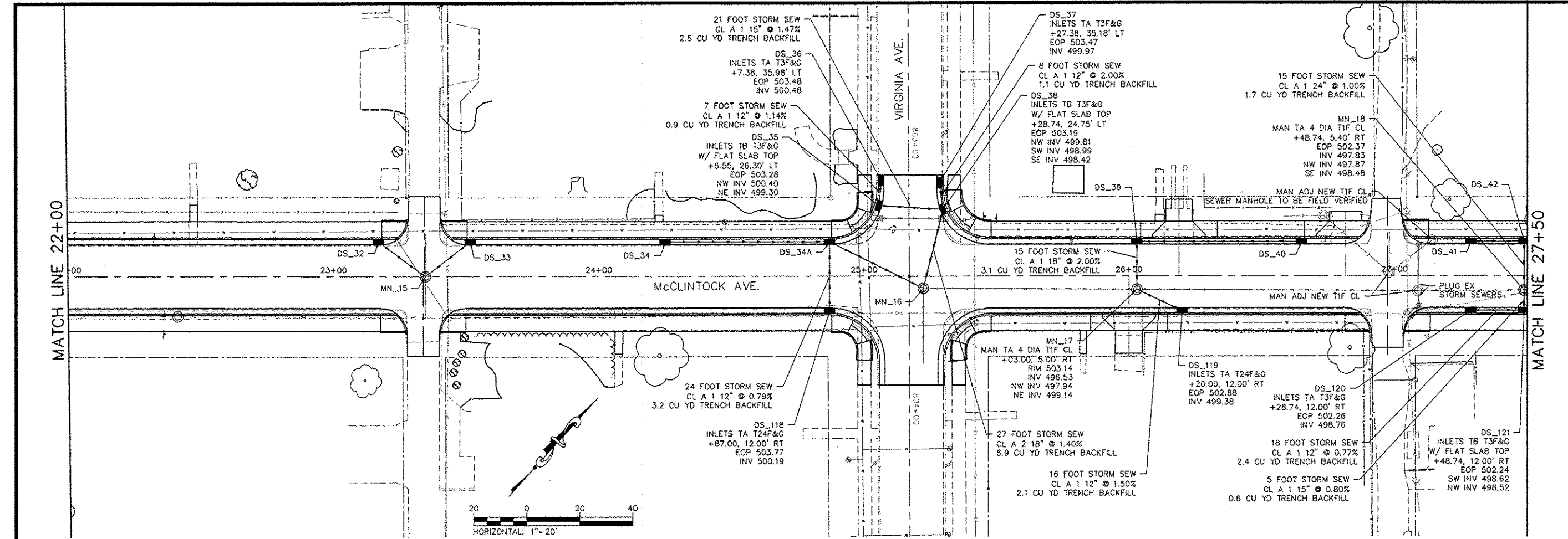
REV.	DATE	DESCRIP



SHEET TITLE: **STORM SEWER PLAN AND PROFILE**

PROJECT TITLE: **MCCLINTOCK AVE. STREET IMPROVEMENTS
 CITY OF BELLEVILLE
 ST. CLAIR COUNTY, IL**

DESIGNED BY: TJR	SHEET
DRAWN BY: JLT	26
CHECKED BY: LDC	
DATE OF PRELIMINARY: 03/29/2013	DATE OF FINAL: 05/24/2013
SHEET NO. 26 OF 22 SHEETS	
PROJECT NUMBER 11-1041	



PREPARED BY: **Kaskaskia Engineering Group, LLC**

208 East Main Street, Suite 100
Belleville, Illinois 62220
618.333.5877 phone
618.333.5977 fax
www.kaskaskiainc.com

LICENSE NO. 184-004773
20-S080586

PROFESSIONAL REGISTRATIONS
Illinois Professional Design Firm
Professional Engineering Group

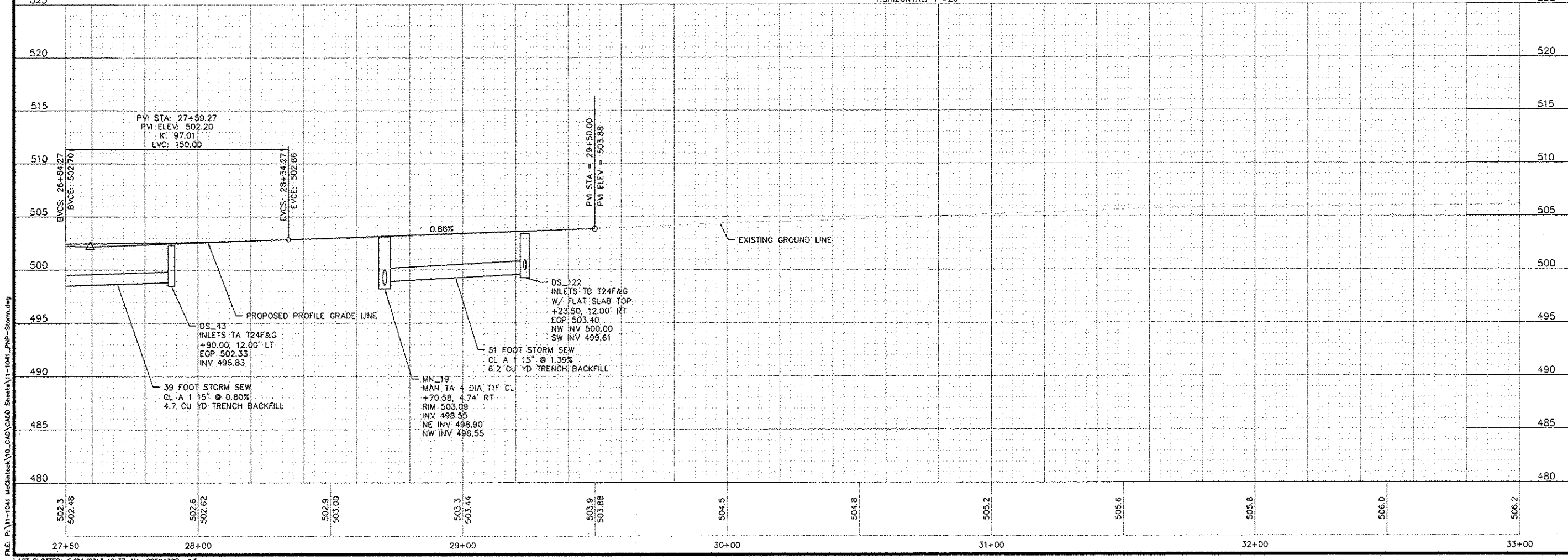
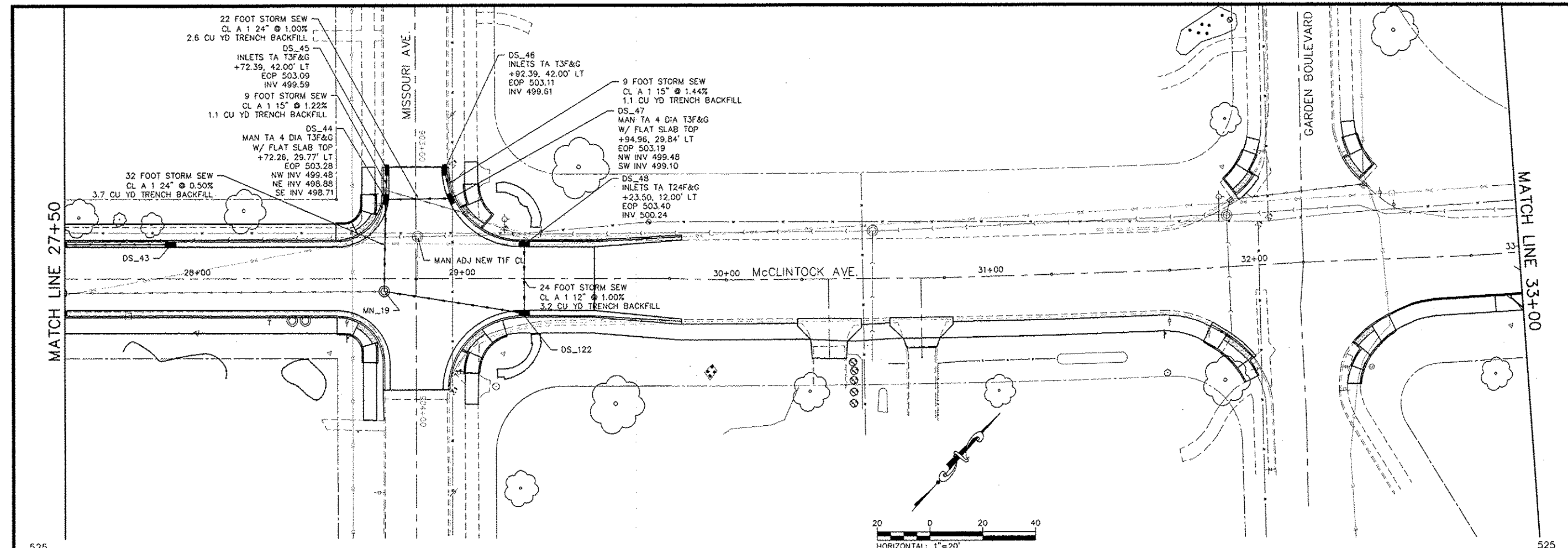
CONTRACT NO. 97531
SEC. NO. 05-00209-00-PV

REV.	DATE	DESCRIP
△		
△		
△		
△		
△		

SHEET TITLE: **STORM SEWER PLAN AND PROFILE**

PROJECT TITLE: **MCCLINTOCK AVE. STREET IMPROVEMENTS
CITY OF BELLEVILLE
ST. CLAIR COUNTY, IL**

DESIGNED BY: TJR	SHEET 27
DRAWN BY: JLT	
CHECKED BY: GEB	
DATE OF PRELIMINARY: 03-29-2013	
DATE OF FINAL: 05-24-2013	
SHEET NO. 27 OF 22 SHEETS	
PROJECT NUMBER 11-1041	



FILE: P:\11-1041 McClintock\10_CAD\CADD Sheets\11-1041_PWP-Storm.dwg

LAST PLOTTED: 5/24/2013 10:37 AM OPERATOR: J.T

PREPARED BY:

Kaskaskia
Engineering Group, LLC

208 East Main Street, Suite 100
Belleville, Illinois 62220
618.333.5877 phone
618.333.5977 fax
www.kaskaskiaeng.com

LICENSE NO.
184-004773
20-5080586

PROFESSIONAL REGISTRATIONS
Illinois Professional Design Firm
Professional Engineering Group

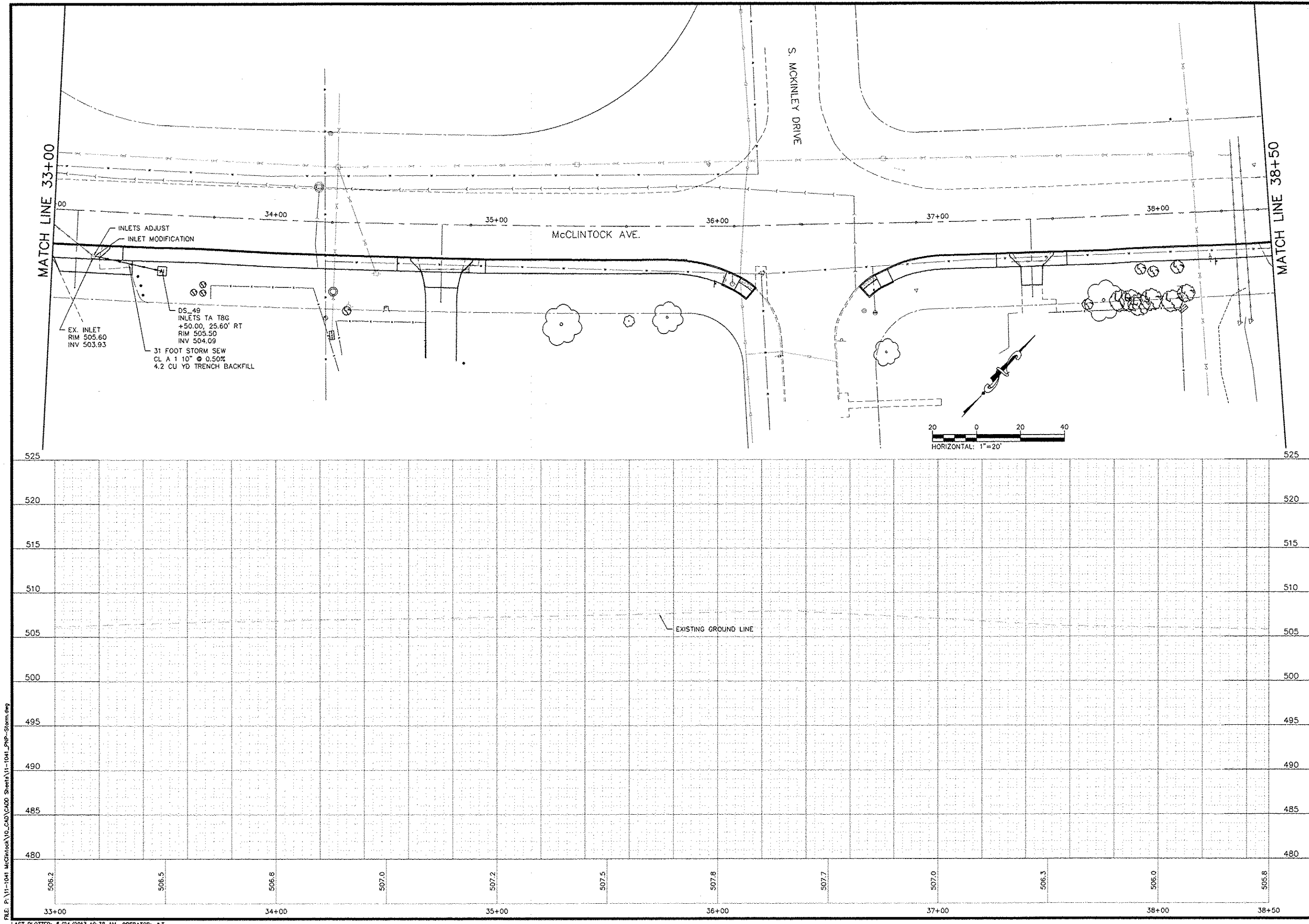
CONTRACT NO. 97531
SEC. NO. 05-00209-00-PV

REV	DATE	DESCRIP
△		
△		
△		
△		

SHEET TITLE:
STORM SEWER PLAN AND PROFILE

PROJECT TITLE:
**McCLINTOCK AVE. STREET IMPROVEMENTS
CITY OF BELLEVILLE
ST. CLAIR COUNTY, IL**

DESIGNED BY: TUR	SHEET 28
DRAWN BY: JLT	
CHECKED BY: LDC	
DATE OF PRELIMINARY: 03/29/2013	
DATE OF FINAL: 05/24/2013	
SHEET NO. 28 OF 72 SHEETS	
PROJECT NUMBER 11-1041	



PREPARED BY:

Kaskaskia
Engineering Group, LLC

PROFESSIONAL REGISTRATIONS
Illinois Professional Design Firm
Professional Engineering Group

LICENSE NO.
184-004773
20-5080586

208 East Main Street, Suite 100
Belleville, Illinois 62220
618.233.5877 Phone
618.233.5977 Fax
www.kaskaskiang.com

CONTRACT NO. 97531
SEC. NO. 05-00209-00-PV

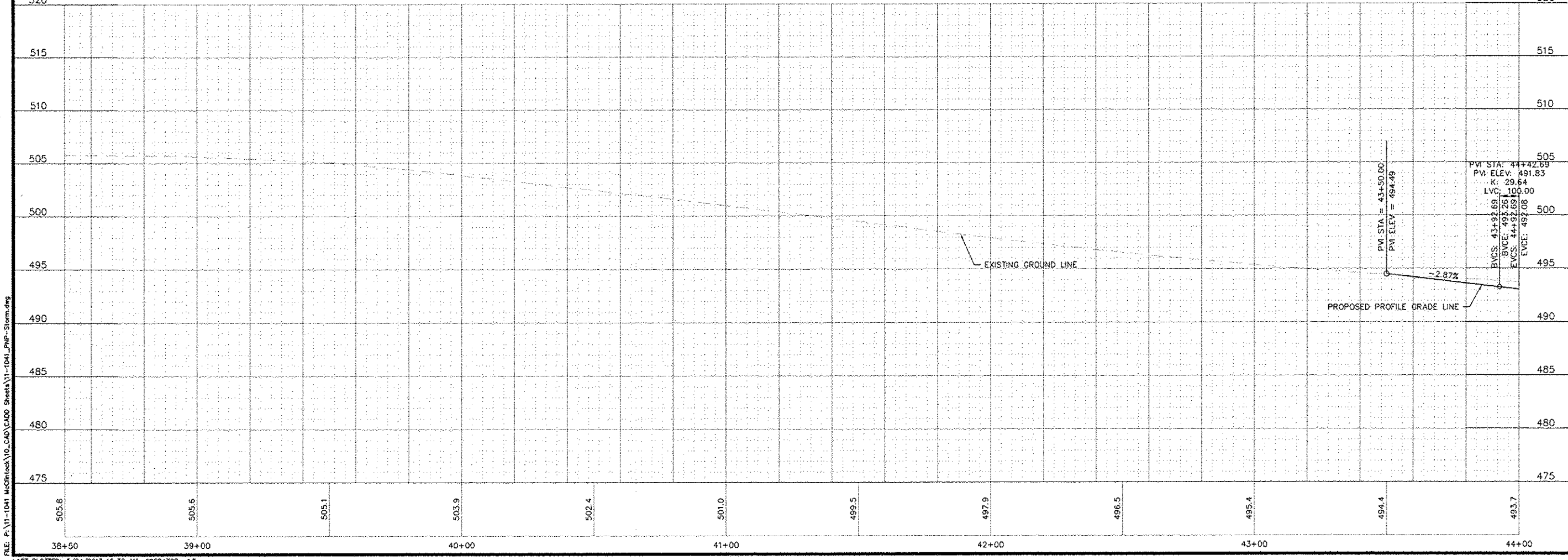
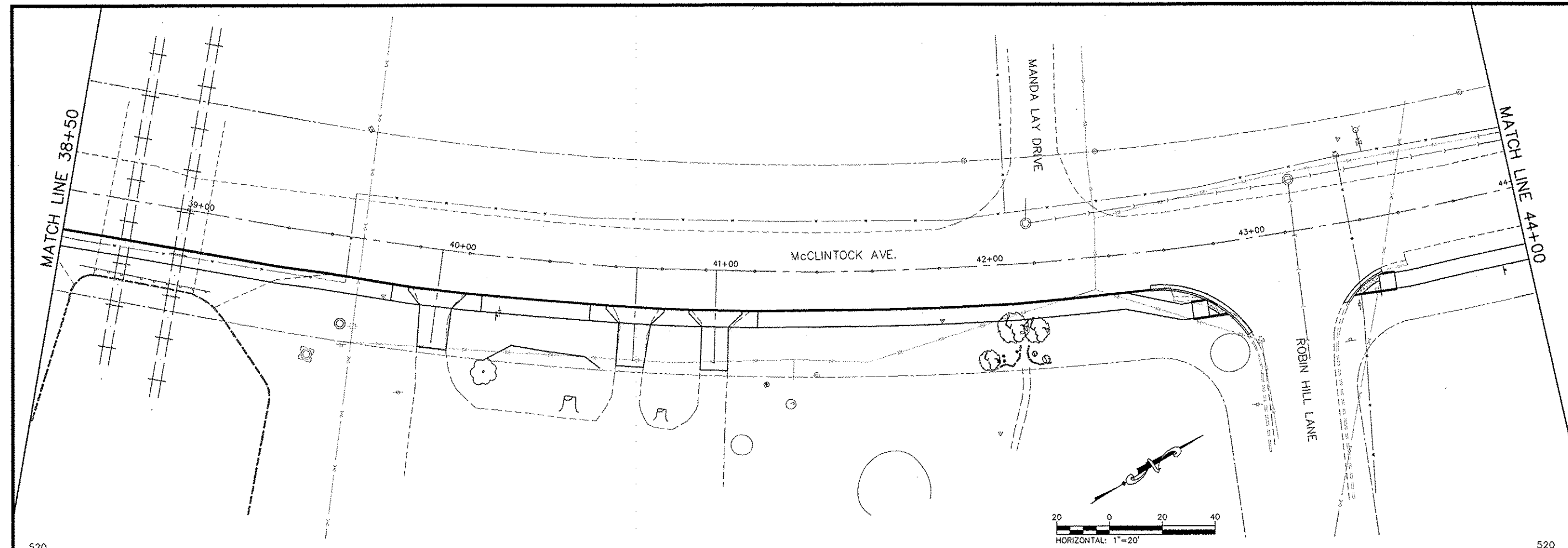
REV.	DATE	DESCRIP
△		
△		
△		
△		
△		

SHEET TITLE:
STORM SEWER PLAN AND PROFILE

PROJECT TITLE:
MCCLINTOCK AVE. STREET IMPROVEMENTS
CITY OF BELLEVILLE
ST. CLAIR COUNTY, IL

DESIGNED BY: TJR	SHEET
DRAWN BY: J.T.	29
CHECKED BY: GEB	
DATE OF PRELIMINARY: 03/29/2013	
DATE OF FINAL: 05/24/2013	
SHEET NO. 22 OF 22 SHEETS	
PROJECT NUMBER 111041	

FILE: P:\11-1041 McClintock\10_CAD\CADD Sheets\11-1041_PFP-S Storm.dwg



FILE: P:\11-1041_McClintock\10_CAD\CAD00_Sheets\11-1041_PWP-Storm.dwg

LAST PLOTTED: 5/24/2013 10:38 AM OPERATOR: J.T

PREPARED BY:

Kaskaskia
Engineering Group, LLC

208 East Main Street, Suite 100
Bellaire, Illinois 62220
618.333.5877 phone
618.333.5977 fax
www.kaskaskiang.com

LICENSE NO. 184-004773
20-S080586

PROFESSIONAL REGISTRATIONS
Illinois Professional Design Firm
Professional Engineering Group

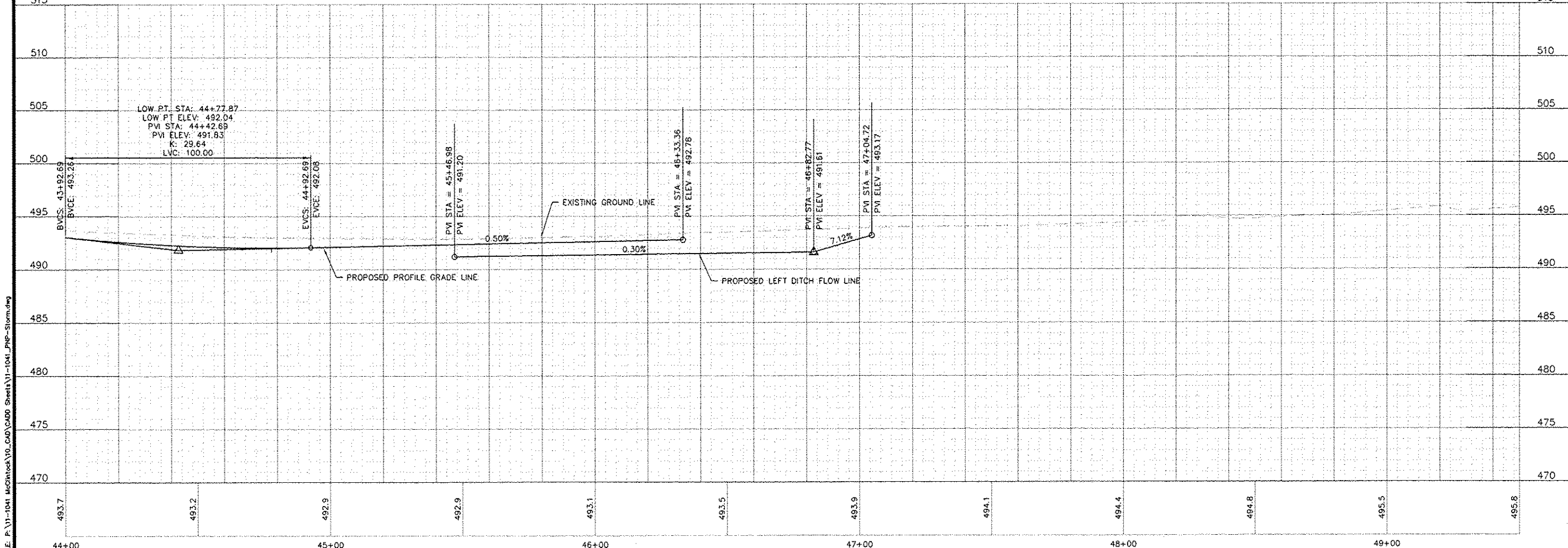
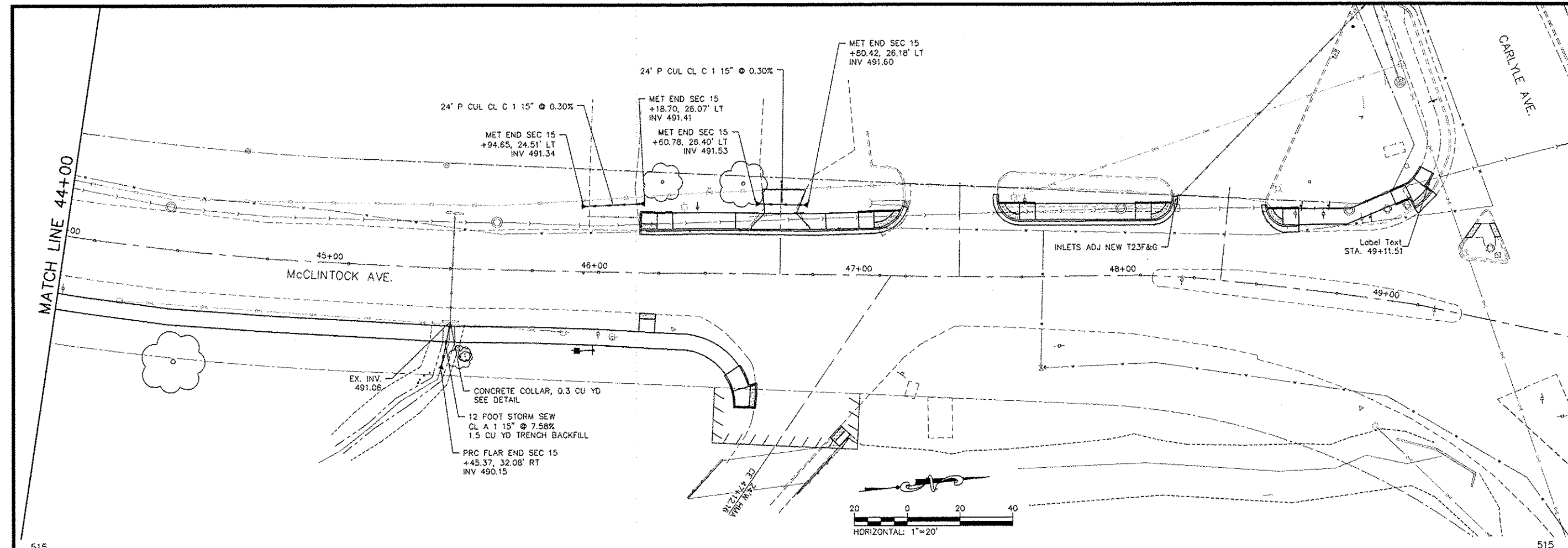
CONTRACT NO. 97531
SEC. NO. 05-00209-00-PV

REV.	DATE	DESCRIP.
△		
△		
△		
△		
△		

SHEET TITLE: STORM SEWER PLAN AND PROFILE

PROJECT TITLE: MCCLINTOCK AVE. STREET IMPROVEMENTS
CITY OF BELLEVILLE
ST. CLAIR COUNTY, IL

DESIGNED BY: TUR	SHEET 30
DRAWN BY: JLT	
CHECKED BY: GEH	
DATE OF PRELIMINARY: 03/29/2013	
DATE OF FINAL: 05/24/2013	
SHEET NO. 30 OF 32 SHEETS	
PROJECT NUMBER 11-1041	



PREPARED BY: **Kaskaskia Engineering Group, LLC**

208 East Main Street, Suite 100
Belleville, Illinois 62220
618.233.5877 phone
618.233.5977 fax
www.kaskaskiaeng.com

PROFESSIONAL REGISTRATIONS
ILLINOIS PROFESSIONAL DESIGN FIRM
PROFESSIONAL ENGINEERING GROUP

LICENSE NO. 184-004773
20-5086586

CONTRACT NO. 97531
SEC. NO. 05-00209-00-PV

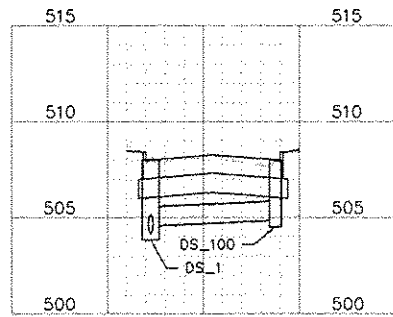
REV.	DATE	DESCRIP
△		
△		
△		
△		
△		

SHEET TITLE: **STORM SEWER PLAN AND PROFILE**

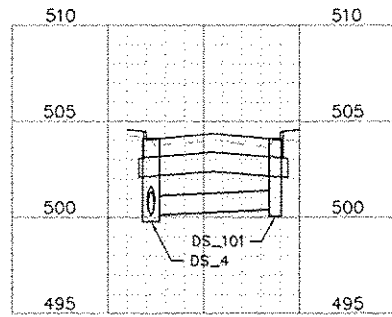
PROJECT TITLE: **MCCLINTOCK AVE. STREET IMPROVEMENTS
CITY OF BELLEVILLE
ST. CLAIR COUNTY, IL**

DESIGNED BY: TJR	SHEET 31
DRAWN BY: JLT	
CHECKED BY: GEH	
DATE OF PRELIMINARY: 03/29/13	
DATE OF FINAL: 05/24/13	
SHEET NO. 31 OF 22 SHEETS	
PROJECT NUMBER 111041	

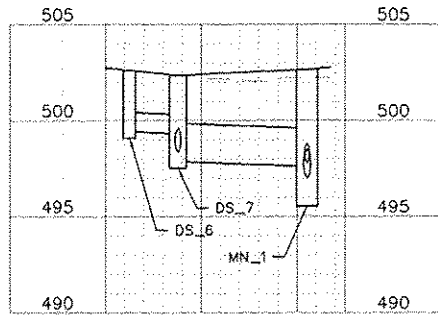
FILE: P:\11-1041_McClintock\10_CADD\Sheet\11-1041_PWP-Storm.dwg



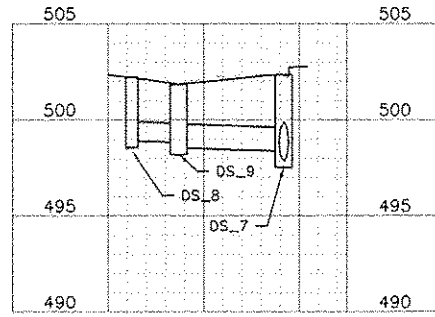
DS_1 TO DS_100
STA. 4+30



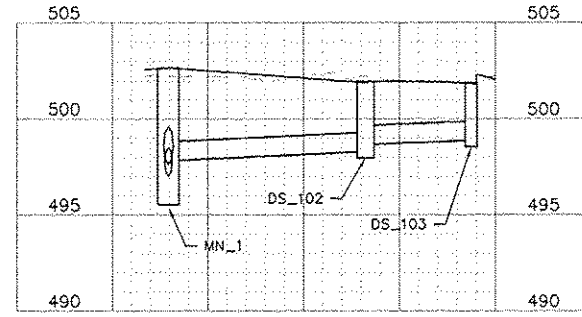
DS_4 TO DS_101
STA. 5+88



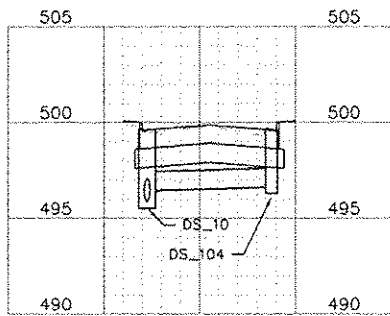
MN_1 TO DS_6



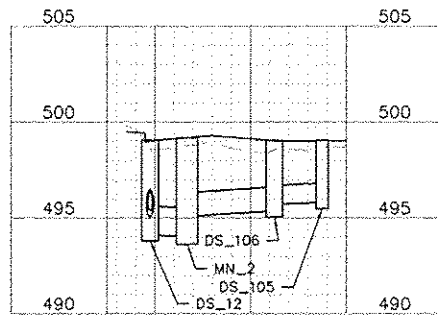
DS_7 TO DS_8



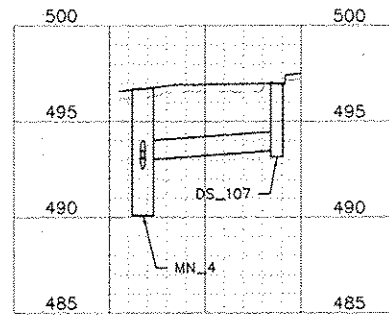
MN_1 TO DS_103



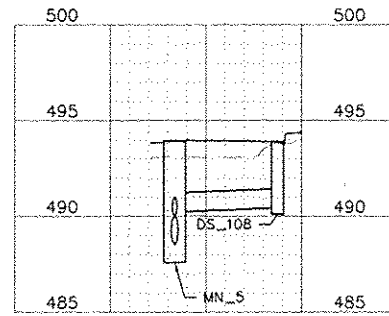
DS_10 TO DS_104
STA. 8+15



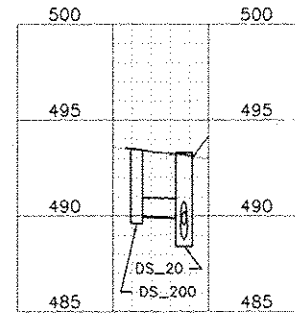
MN_2 TO DS_12
& MN_2 TO DS_105



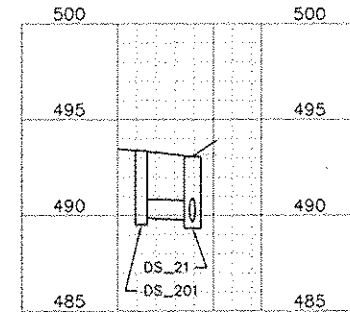
MN_4 TO DS_107



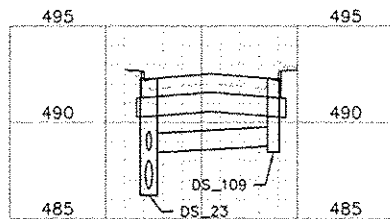
MN_5 TO DS_108



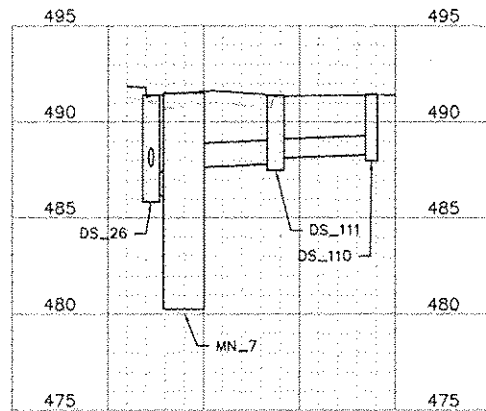
DS_20 TO DS_200



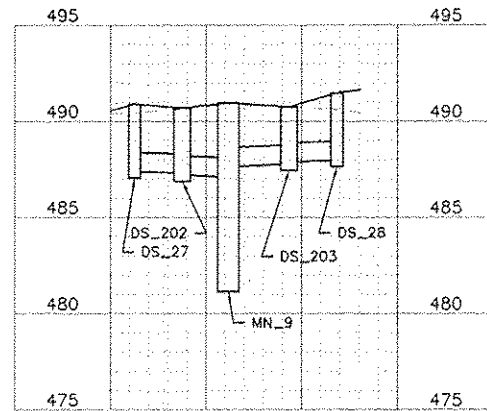
DS_21 TO DS_201



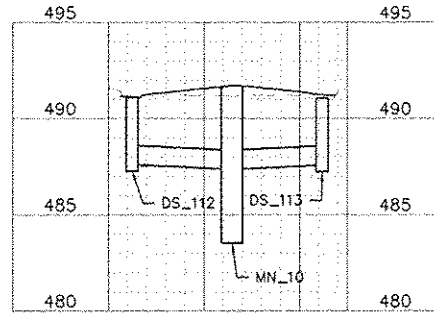
DS_23 TO DS_109
STA. 15+85



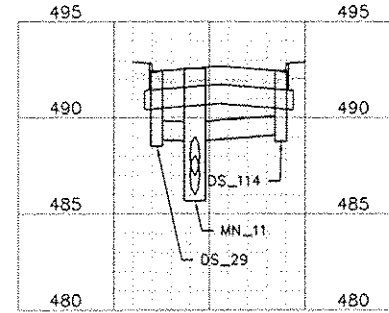
MN_7 TO DS_26 & MN_7 TO DS_110
STA. 17+28



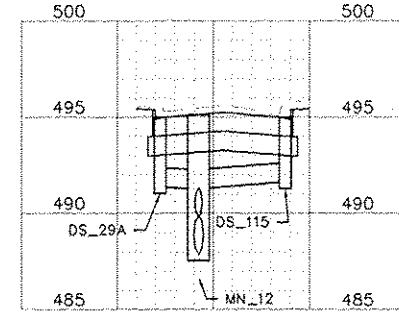
MN_9 TO DS_27
& MN_9 TO DS_28



MN_10 TO DS_112
& MN_10 TO DS_113



MN_11 TO DS_29 & MN_11 TO DS_114
STA. 18+21



MN_12 TO DS_29A & MN_12 TO DS_115
STA. 19+00

208 East Main Street, Suite 100
Belleville, Illinois 62220
618.333.5877 phone
618.333.5977 fax
www.kaskasiaeng.com



PROFESSIONAL REGISTRATIONS
Illinois Professional Design Firm
Professional Engineering Group

PREPARED BY:

CONTRACT NO. 97531
SEC. NO. 05-00209-00-PV

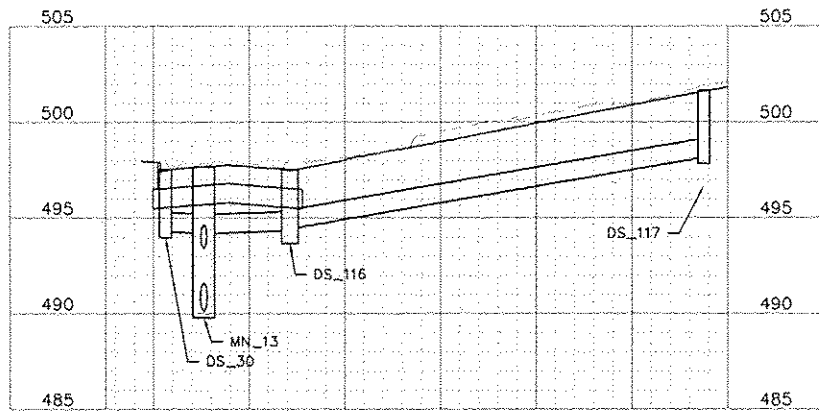
REV.	DATE	DESCRIP
△		
△		
△		
△		
△		

SHEET TITLE:
STORM SEWER PLAN AND PROFILE

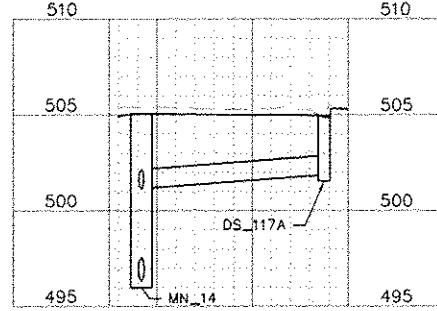
PROJECT TITLE:
MCCLINTOCK AVE. STREET IMPROVEMENTS
CITY OF BELLEVILLE
ST. CLAIR COUNTY, IL

DESIGNED BY: TJR	SHEET
DRAWN BY: JLT	32
CHECKED BY: LDC	
DATE OF PRELIMINARY: 03/29/2013	
DATE OF FINAL: 05/24/2013	
SHEET NO. 32 OF 32 SHEETS	
PROJECT NUMBER 11-1041	

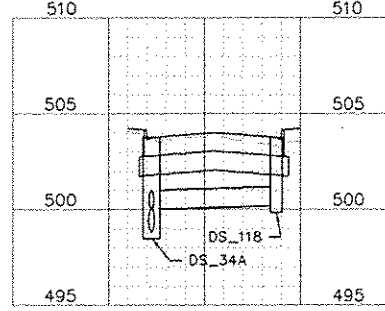
FILE: F:\11-1041_McClintock\10_CADD_Sheets\11-1041_PWP-Storm.dwg



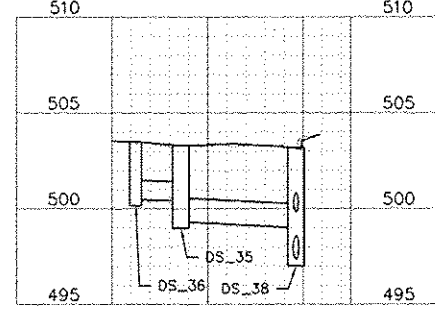
MN_13 TO DS_30 & MN_13 TO DS_117
STA. 19+55



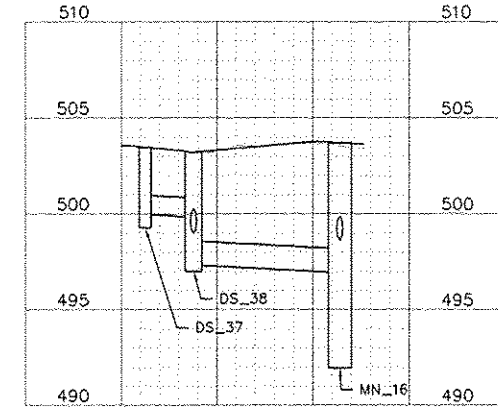
MN_14 TO DS_117A
STA. 24+87



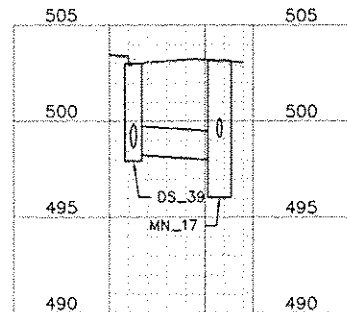
DS_34A TO DS_118
STA. 24+87



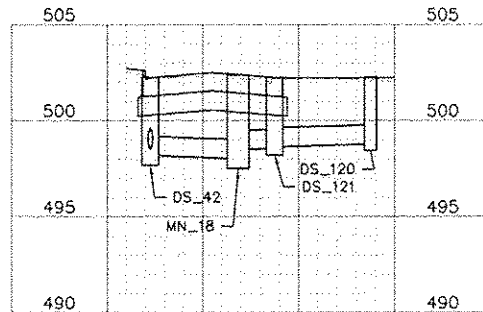
DS_38 TO DS_36
STA. 25+30



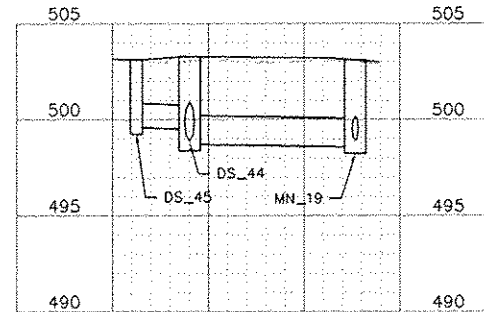
MN_16 TO DS_37
STA. 25+30



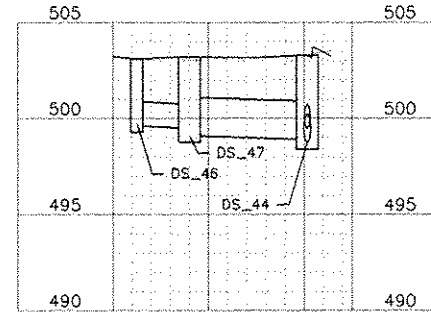
MN_17 TO DS_39
STA. 26+03



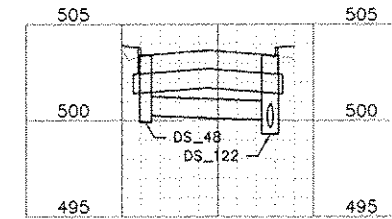
MN_18 TO DS_42 & MN_18 TO DS_120
STA. 27+50



MN_19 TO DS_45
STA. 28+70



DS_44 TO DS_46
STA. 29+24



DS_122 TO DS_48
STA. 29+24

208 East Main Street, Suite 100
Belleville, Illinois 62220
618.233.5877 phone
618.233.5977 fax
www.kaskaskiaeng.com



PROFESSIONAL REGISTRATIONS
Illinois Professional Design Firm
Professional Engineering Group

PREPARED BY:

CONTRACT NO. 97531
SEC. NO. 05-00208-00-PV

REV.	DATE	DESCRIP.
△		
△		
△		
△		
△		

SHEET TITLE:
STORM SEWER PLAN AND PROFILE

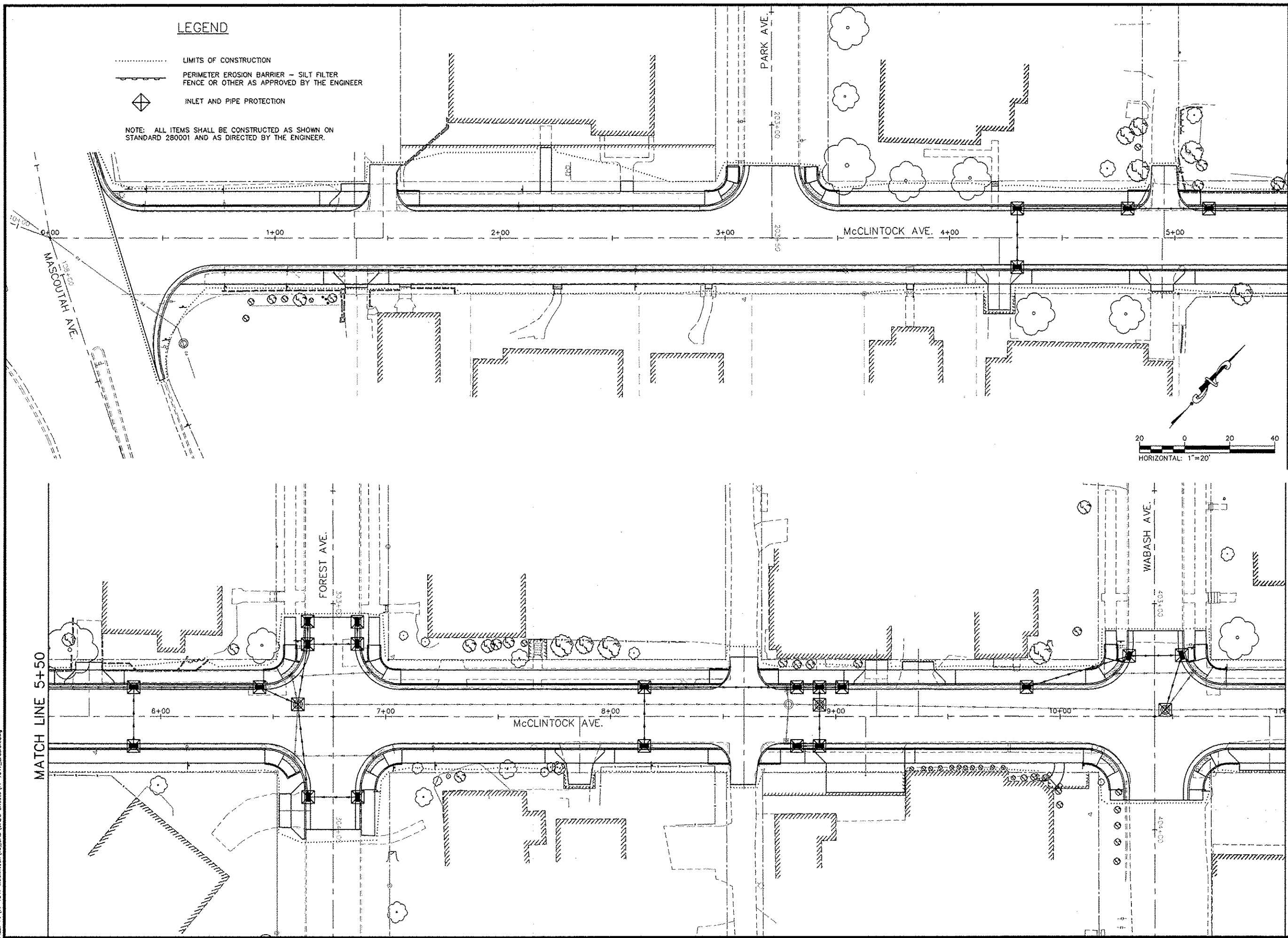
PROJECT TITLE:
MCCLINTOCK AVE. STREET IMPROVEMENTS
CITY OF BELLEVILLE
ST. CLAIR COUNTY, IL

DESIGNED BY: TJR	SHEET 33
DRAWN BY: JLT	
CHECKED BY: LDC	
DATE OF PRELIMINARY: 03/29/2013	
DATE OF FINAL: 05/24/2013	
SHEET NO. 33 OF 72 SHEETS	
PROJECT NUMBER 11-1041	

LEGEND

- LIMITS OF CONSTRUCTION
- ===== PERIMETER EROSION BARRIER - SILT FILTER FENCE OR OTHER AS APPROVED BY THE ENGINEER
- ◆ INLET AND PIPE PROTECTION

NOTE: ALL ITEMS SHALL BE CONSTRUCTED AS SHOWN ON STANDARD 280001 AND AS DIRECTED BY THE ENGINEER.



MATCH LINE 5+50

MATCH LINE 11+00

208 East Main Street, Suite 100
 Belleville, Illinois 62220
 618.233.5877 phone
 618.233.5977 fax
 www.kaskasiaeng.com

LICENSE NO. 184-004773
 20-5080586

Kaskasia
 Engineering Group, LLC

PROFESSIONAL REGISTRATIONS
 Illinois Professional Design Firm
 Professional Engineering Group

CONTRACT NO. 97631
 SEC. NO. 05-00209-00-PV

REV	DATE	DESCRIP
△		
△		
△		
△		
△		




SHEET TITLE: EROSION CONTROL PLAN

PROJECT TITLE: MCCLINTOCK AVE. STREET IMPROVEMENTS
 CITY OF BELLEVILLE
 ST. CLAIR COUNTY, IL

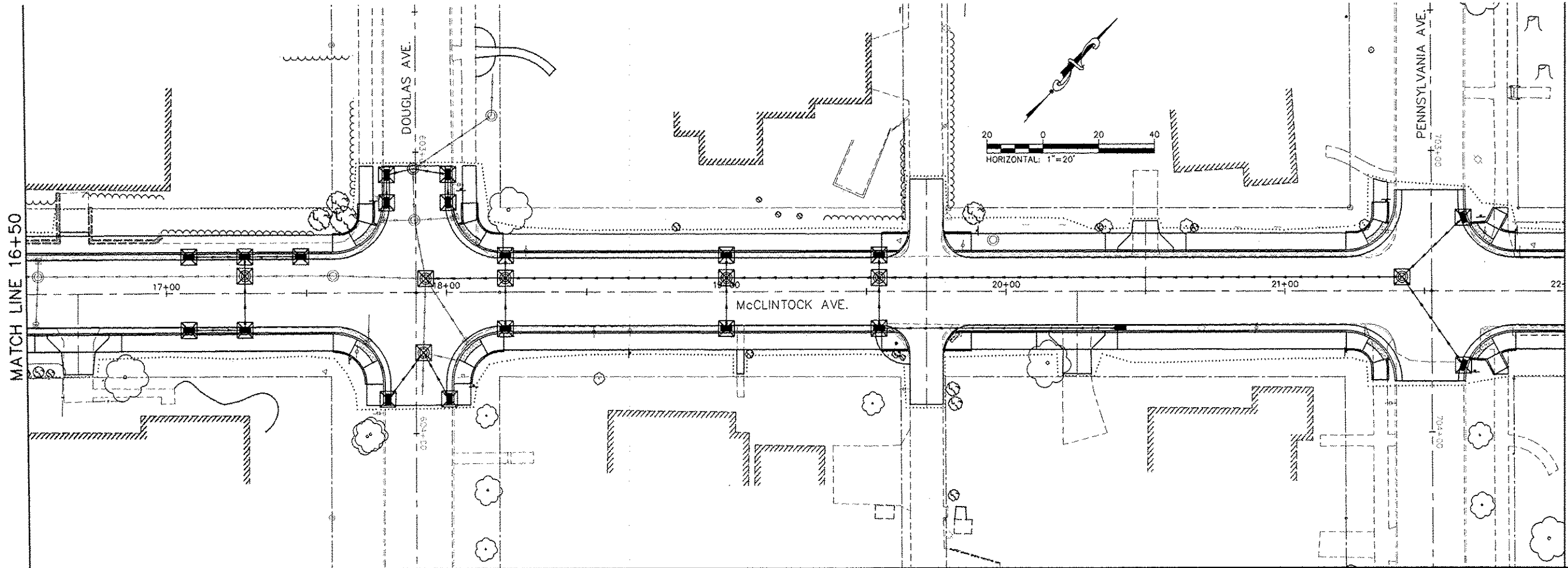
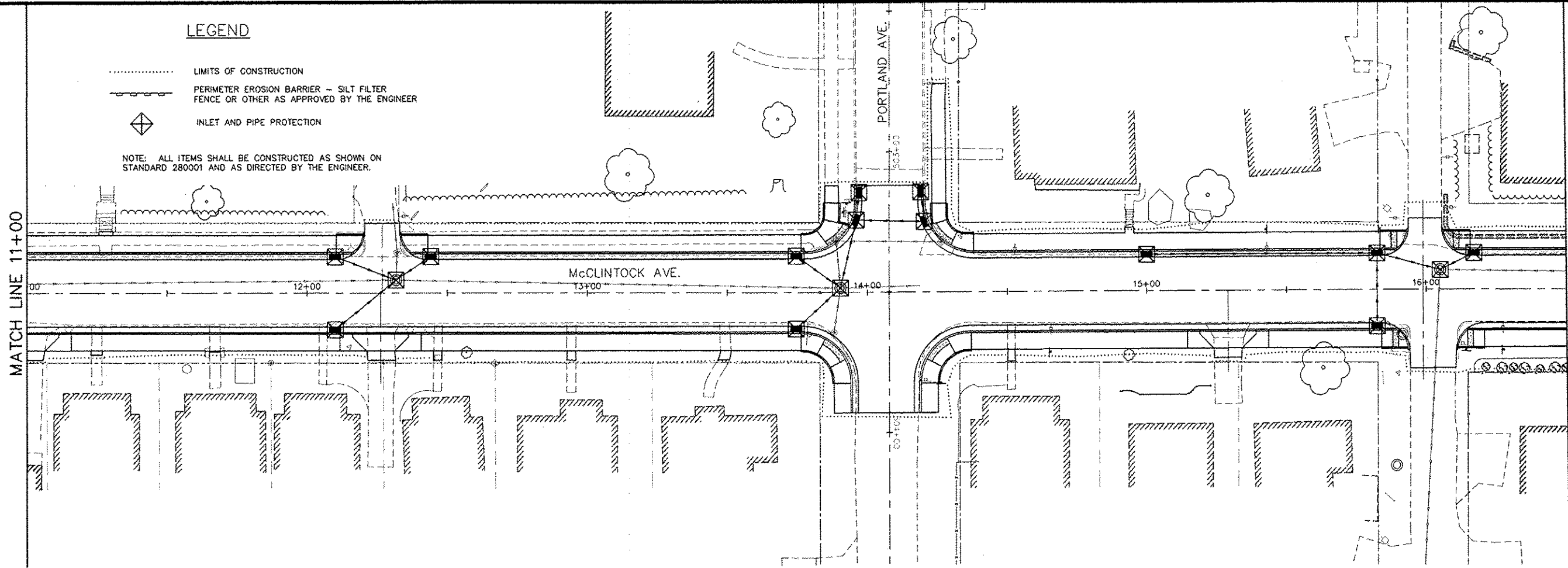
DESIGNED BY: TJR	SHEET
DRAWN BY: J.T	34
CHECKED BY: LDC	
DATE OF PRELIMINARY: 03/29/2013	
DATE OF FINAL: 05/24/2013	
SHEET NO. 34 OF 22 SHEETS	
PROJECT NUMBER 11-1041	

FILE: P:\11-1041_McClintock\10_CAD\CAD00_Sheets\11-1041_Erosion.dwg

LEGEND

-  LIMITS OF CONSTRUCTION
-  PERIMETER EROSION BARRIER - SILT FILTER FENCE OR OTHER AS APPROVED BY THE ENGINEER
-  INLET AND PIPE PROTECTION

NOTE: ALL ITEMS SHALL BE CONSTRUCTED AS SHOWN ON STANDARD 280001 AND AS DIRECTED BY THE ENGINEER.



208 East Main Street, Suite 100
 Belleville, Illinois 62220
 618.233.5877 phone
 618.233.5977 fax
 www.kaskaskiaeng.com



Kaskaskia
 Engineering Group, LLC

PREPARED BY:

CONTRACT NO. 87531
 SEC. NO. 05-00209-00-PV




REV.	DATE	DESCRIP
△		
△		
△		
△		
△		

SHEET TITLE:
EROSION CONTROL PLAN

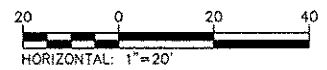
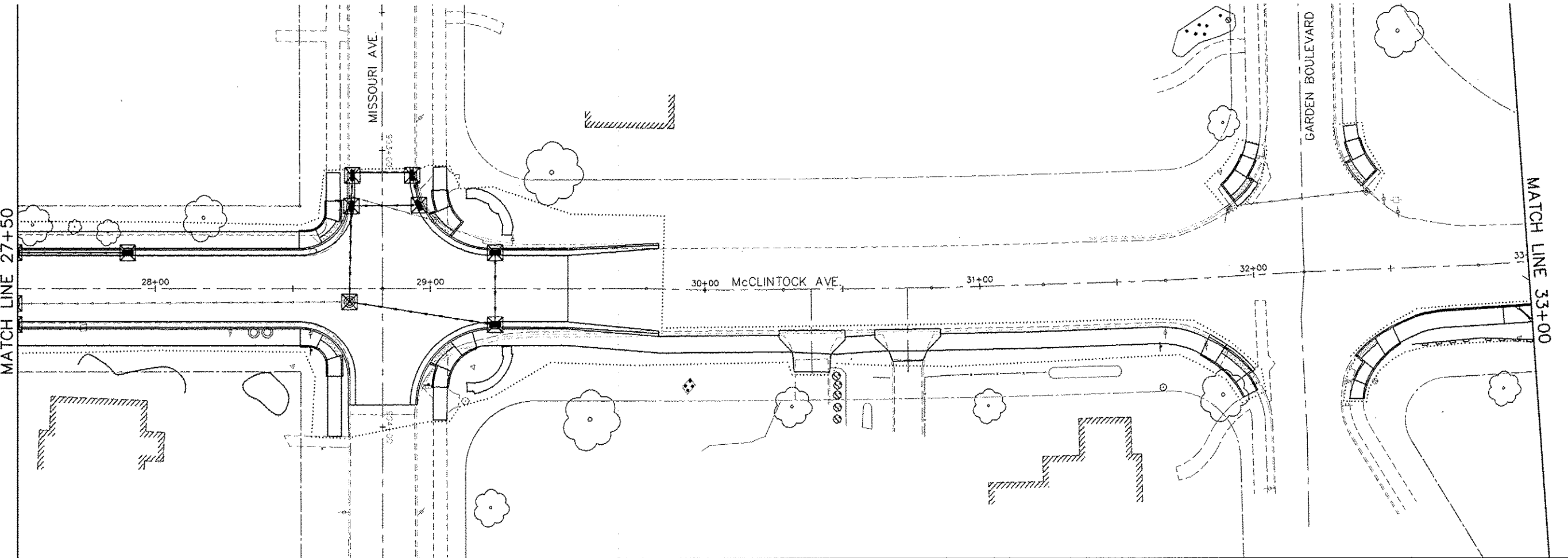
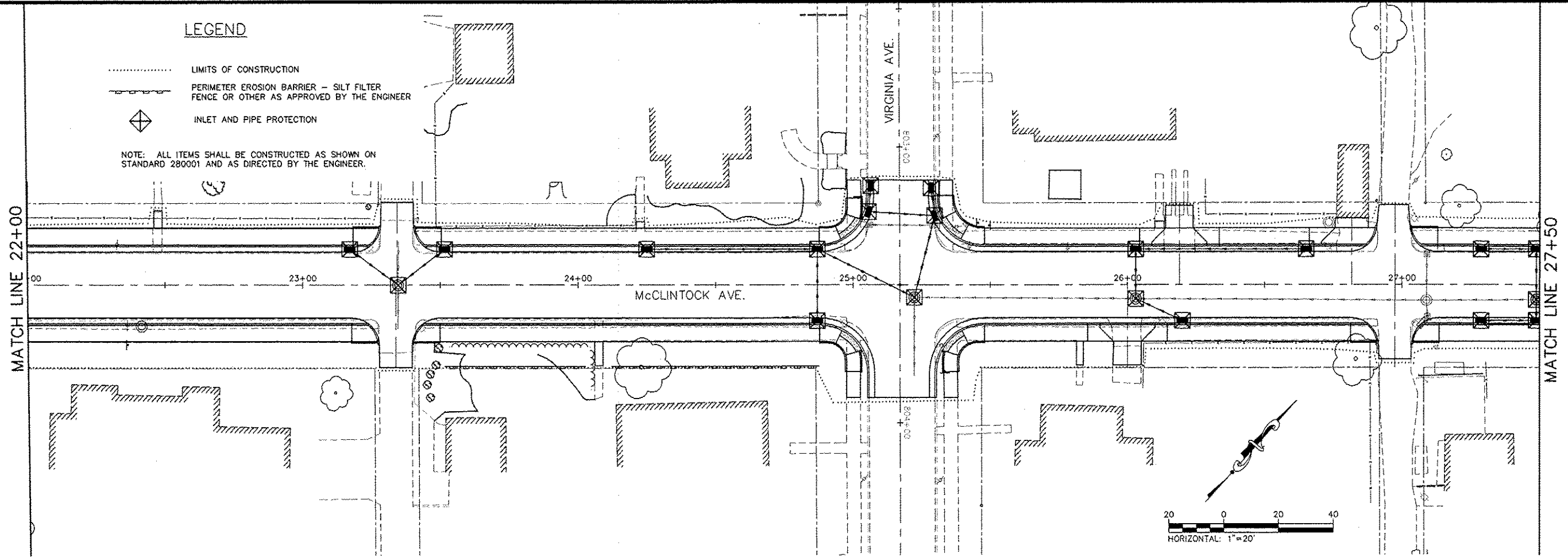
PROJECT TITLE:
**MCCLINTOCK AVE. STREET IMPROVEMENTS
 CITY OF BELLEVILLE
 ST. CLAIR COUNTY, IL**

DESIGNED BY: TJR	35
DRAWN BY: JLT	
CHECKED BY: LDC	
DATE OF PRELIMINARY: 03/29/2013	
DATE OF FINAL: 05/24/2015	
SHEET NO. 15 OF 22 SHEETS	
PROJECT NUMBER: 111041	

LEGEND

-  LIMITS OF CONSTRUCTION
-  PERIMETER EROSION BARRIER - SILT FILTER FENCE OR OTHER AS APPROVED BY THE ENGINEER
-  INLET AND PIPE PROTECTION

NOTE: ALL ITEMS SHALL BE CONSTRUCTED AS SHOWN ON STANDARD 280001 AND AS DIRECTED BY THE ENGINEER.



208 East Main Street, Suite 100
 Belleville, Illinois 62220
 618.233.5977 phone
 618.233.5977 fax
 www.kaskadieng.com

Kaskadia
 Engineering Group, LLC

PROFESSIONAL REGISTRATIONS
 Illinois Professional Design Firm
 Professional Engineering Group

LICENSE NO.
 184-004773
 20-5080586

CONTRACT NO. 97531
 SEC. NO. 05-00209-00-PV

REV.	DATE	DESCRIP
△		
△		
△		
△		
△		

SHEET TITLE: EROSION CONTROL PLAN

PROJECT TITLE: MCCLINTOCK AVE. STREET IMPROVEMENTS
 CITY OF BELLEVILLE
 ST. CLAIR COUNTY, IL

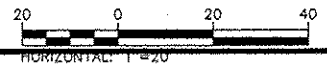
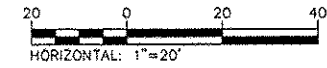
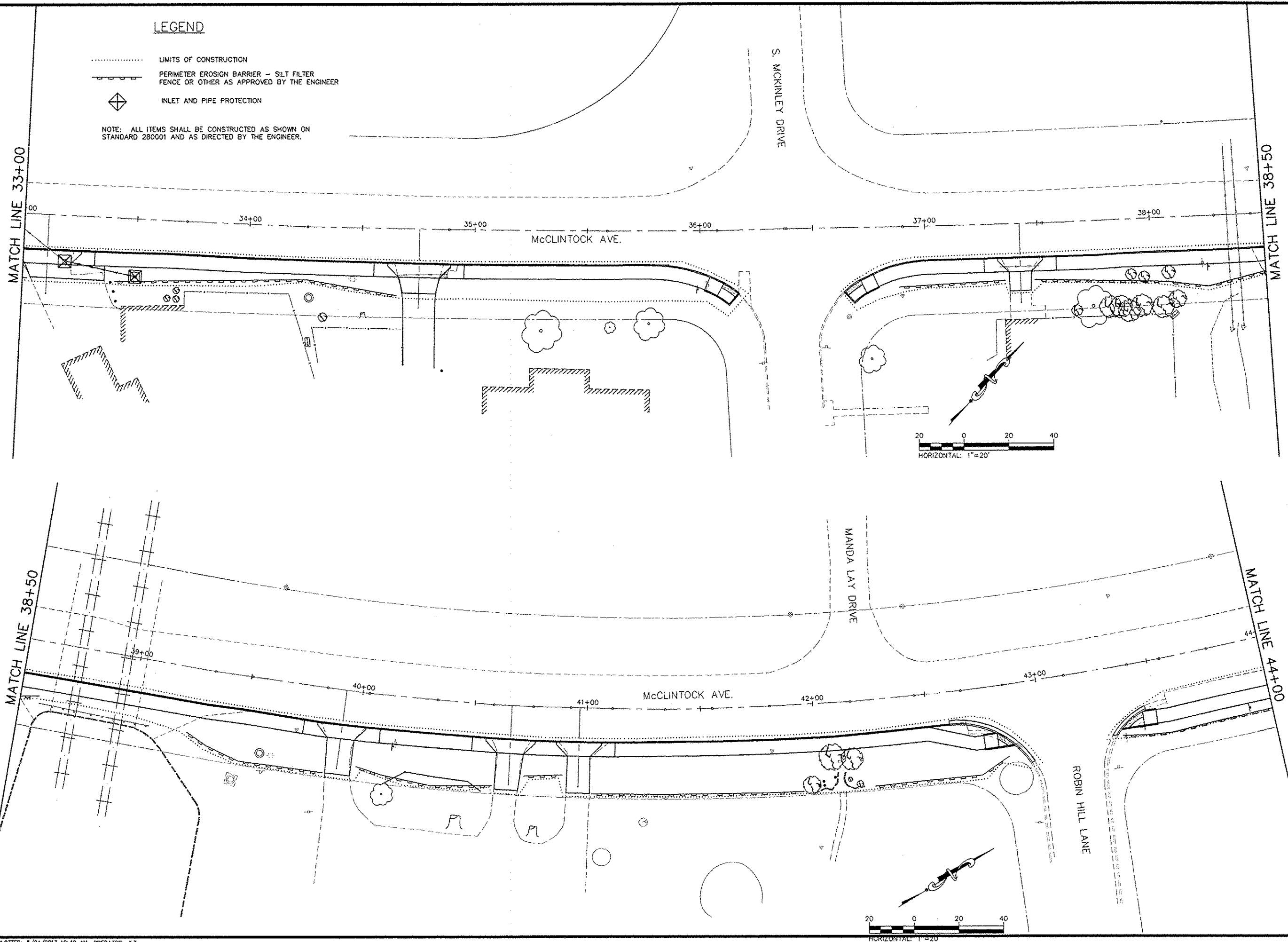
DESIGNED BY: TJR	SHEET 36
DRAWN BY: JLT	
CHECKED BY: LDC	
DATE OF PRELIMINARY: 03/29/2013	
DATE OF FINAL: 05/24/2013	
SHEET NO. 36 OF 27 SHEETS	
PROJECT NUMBER 11-1041	

FILE: F:\11-1041_McClintock\10_CAD\CAD Sheets\11-1041_Erosion.dwg

LEGEND

- LIMITS OF CONSTRUCTION
- ===== PERIMETER EROSION BARRIER - SILT FILTER FENCE OR OTHER AS APPROVED BY THE ENGINEER
- ◆ INLET AND PIPE PROTECTION

NOTE: ALL ITEMS SHALL BE CONSTRUCTED AS SHOWN ON STANDARD 280001 AND AS DIRECTED BY THE ENGINEER.



PREPARED BY: **Kaskaskia Engineering Group, LLC**
 PROFESSIONAL REGISTRATIONS
 Illinois Professional Design Firm
 Professional Engineering Group

208 East Main Street, Suite 100
 Belleville, Illinois 62220
 618.233.5877 phone
 618.233.5977 fax
 www.kaskaskiang.com

LICENSE NO. 184-004773
 20-5080586

CONTRACT NO. 97531
 SEC. NO. 05-00209-00-PV

REV.	DATE	DESCRIP
△		
△		
△		
△		
△		

SHEET TITLE: **EROSION CONTROL PLAN**

PROJECT TITLE: **MCCLINTOCK AVE. STREET IMPROVEMENTS
 CITY OF BELLEVILLE
 ST. CLAIR COUNTY, IL**

DESIGNED BY: TJR	SHEET
DRAWN BY: JLT	37
CHECKED BY: LDC	
DATE OF PRELIMINARY: 03/29/2013	
DATE OF FINAL: 05/24/2013	
SHEET NO. 17 OF 22 SHEETS	
PROJECT NUMBER 11-1041	

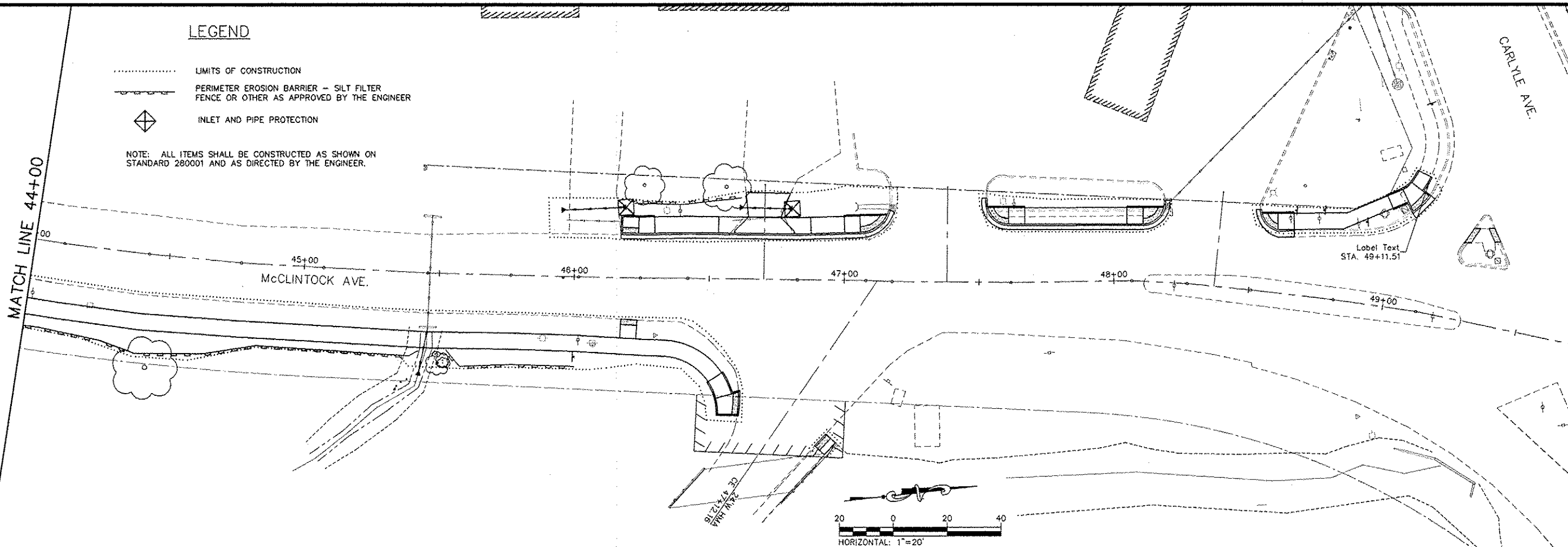
FILE: P:\11-1041 McClintock\10_CADD\Sheet\11-1041_Erosion.dwg

LEGEND

- LIMITS OF CONSTRUCTION
- PERIMETER EROSION BARRIER - SILT FILTER FENCE OR OTHER AS APPROVED BY THE ENGINEER
- ◆ INLET AND PIPE PROTECTION

NOTE: ALL ITEMS SHALL BE CONSTRUCTED AS SHOWN ON STANDARD 280001 AND AS DIRECTED BY THE ENGINEER.

MATCH LINE 44+00



CARLYE AVE.

208 East Main Street, Suite 100
 Belleville, Illinois 62220
 618.233.3877 phone
 618.233.5977 fax
 www.kaskasiaeng.com

LICENSE NO. 184-004773
 20-5080586

Kaskasia
 Engineering Group, LLC

PROFESSIONAL REGISTRATIONS
 Illinois Professional Design Firm
 Professional Engineering Group

CONTRACT NO. 97631
 SEC. NO. 05-00209-00-PV

REV.	DATE	DESCRIP
△		
△		
△		
△		
△		

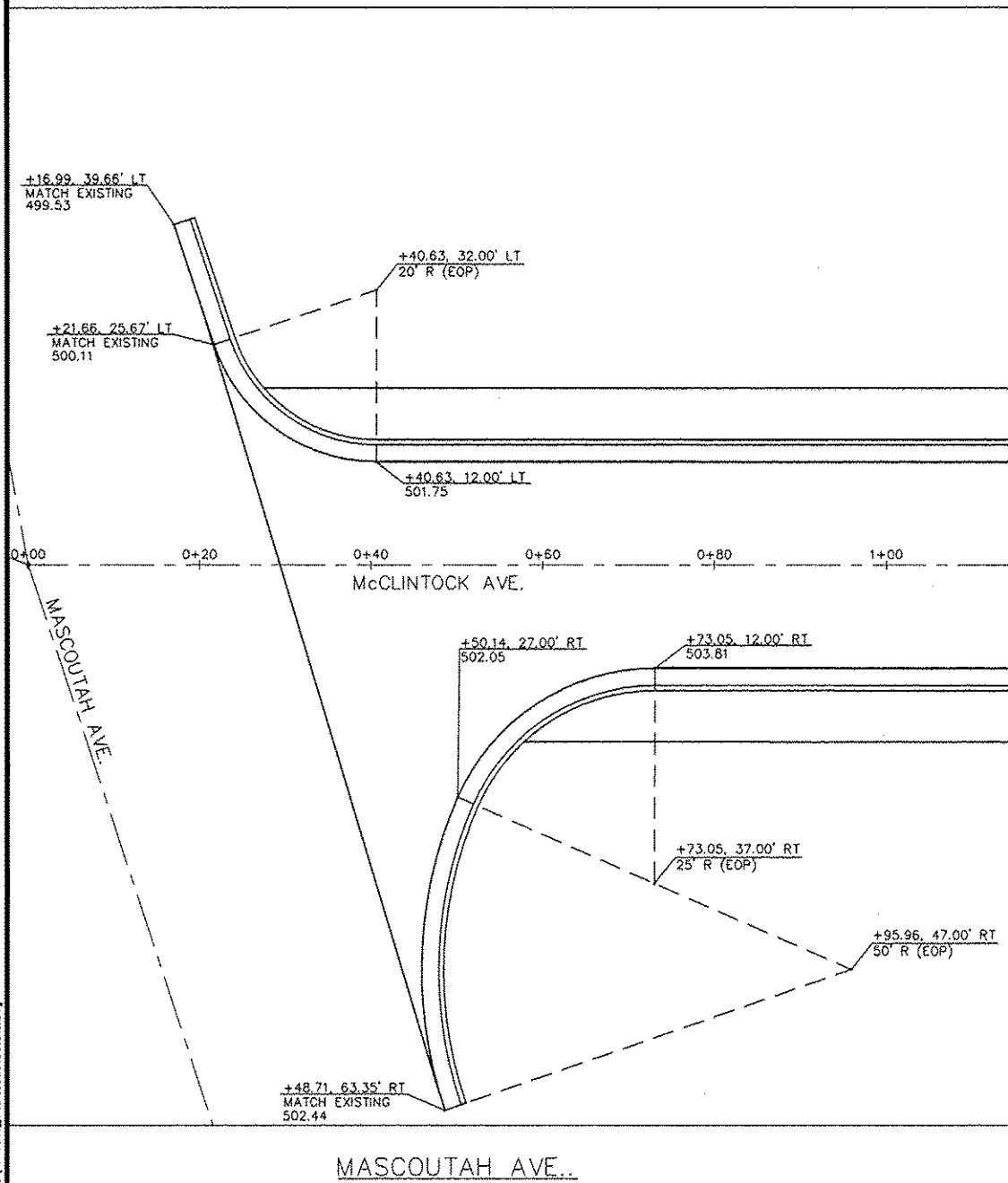
SHEET TITLE:
EROSION CONTROL PLAN

PROJECT TITLE:
**MCCLINTOCK AVE. STREET IMPROVEMENTS
 CITY OF BELLEVILLE
 ST. CLAIR COUNTY, IL**

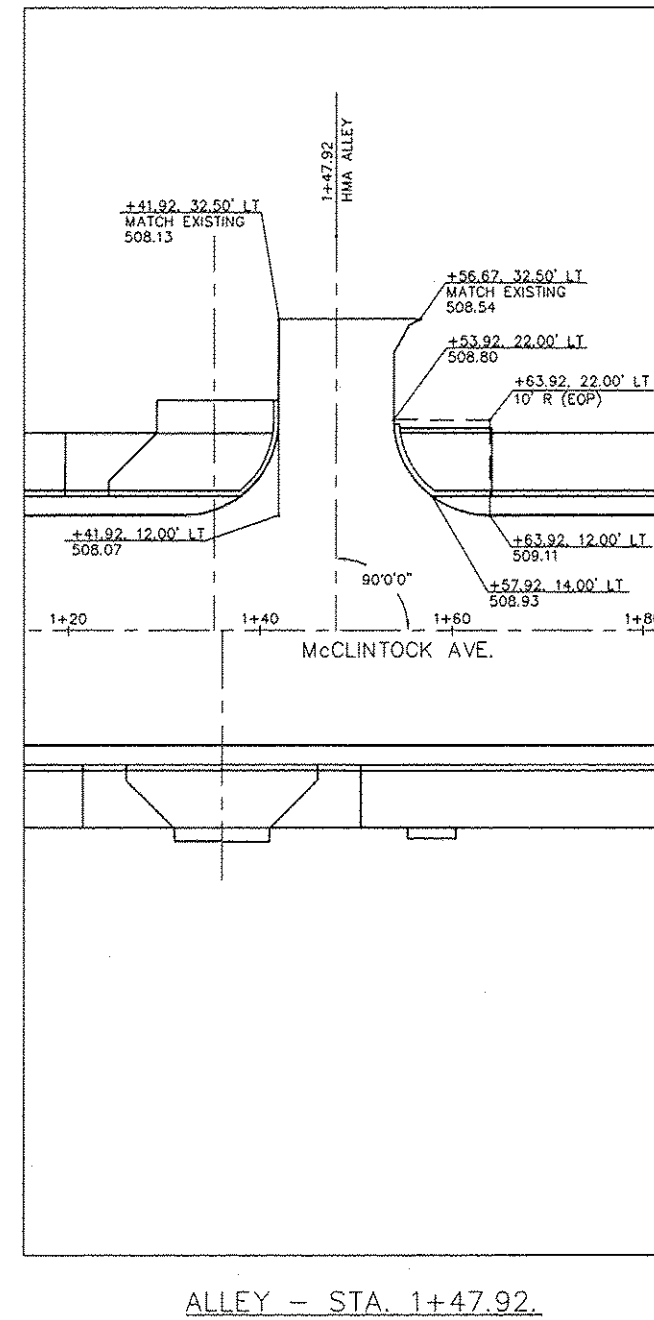
DESIGNED BY: TJR	38
DRAWN BY: JLT	
CHECKED BY: LDC	
DATE OF PRELIMINARY: 03/29/2013	
DATE OF FINAL: 05/24/2013	
SHEET NO. 38 OF 72 SHEETS	
PROJECT NUMBER 11-1041	

FILE: P:\11-1041_McClintock\10_CAD\CADD Sheets\11-1041_Erosion.dwg

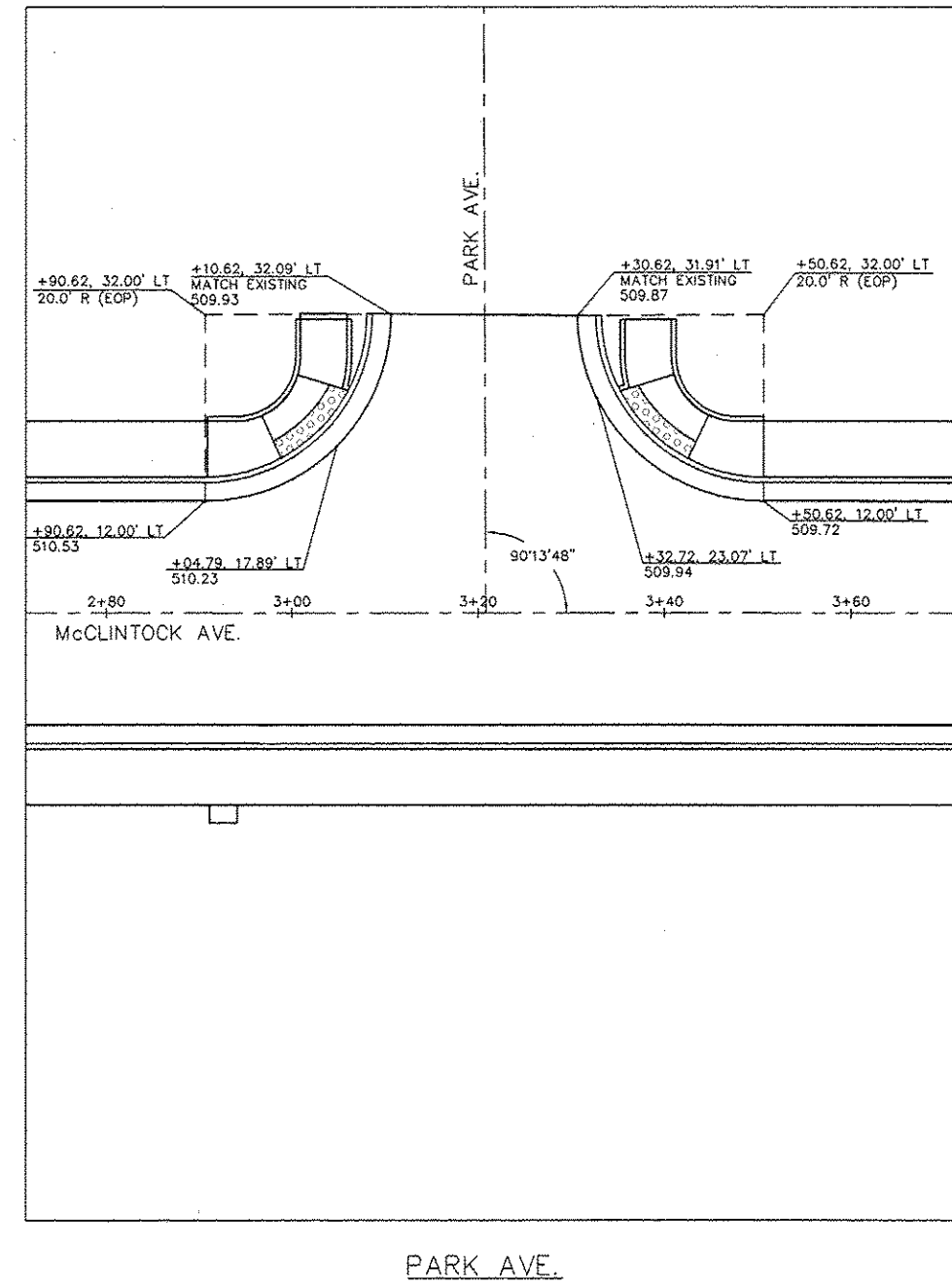
FILE: P:\11-1041_McClintock_Vo_CAD\CADD Sheets\11-1041_IntersectionDetails.dwg



MASCOUTAH AVE..



ALLEY - STA. 1+47.92.



PARK AVE.

208 East Main Street, Suite 100
 Belleville, Illinois 62220
 618.233.5877 Phone
 618.233.5977 Fax
 www.kaskaskiaeng.com

Kaskaskia
 Engineering Group, LLC

PROFESSIONAL REGISTRATIONS
 Illinois Professional Design Firm
 Professional Engineering Group

LICENSE NO. 184.004773
 20-5080586

CONTRACT NO. 97631
 SEC. NO. 05-00209-00-PV

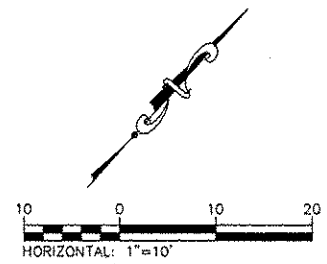
REV	DATE	DESCRIP
△		
△		
△		
△		
△		

INTERSECTION DETAILS

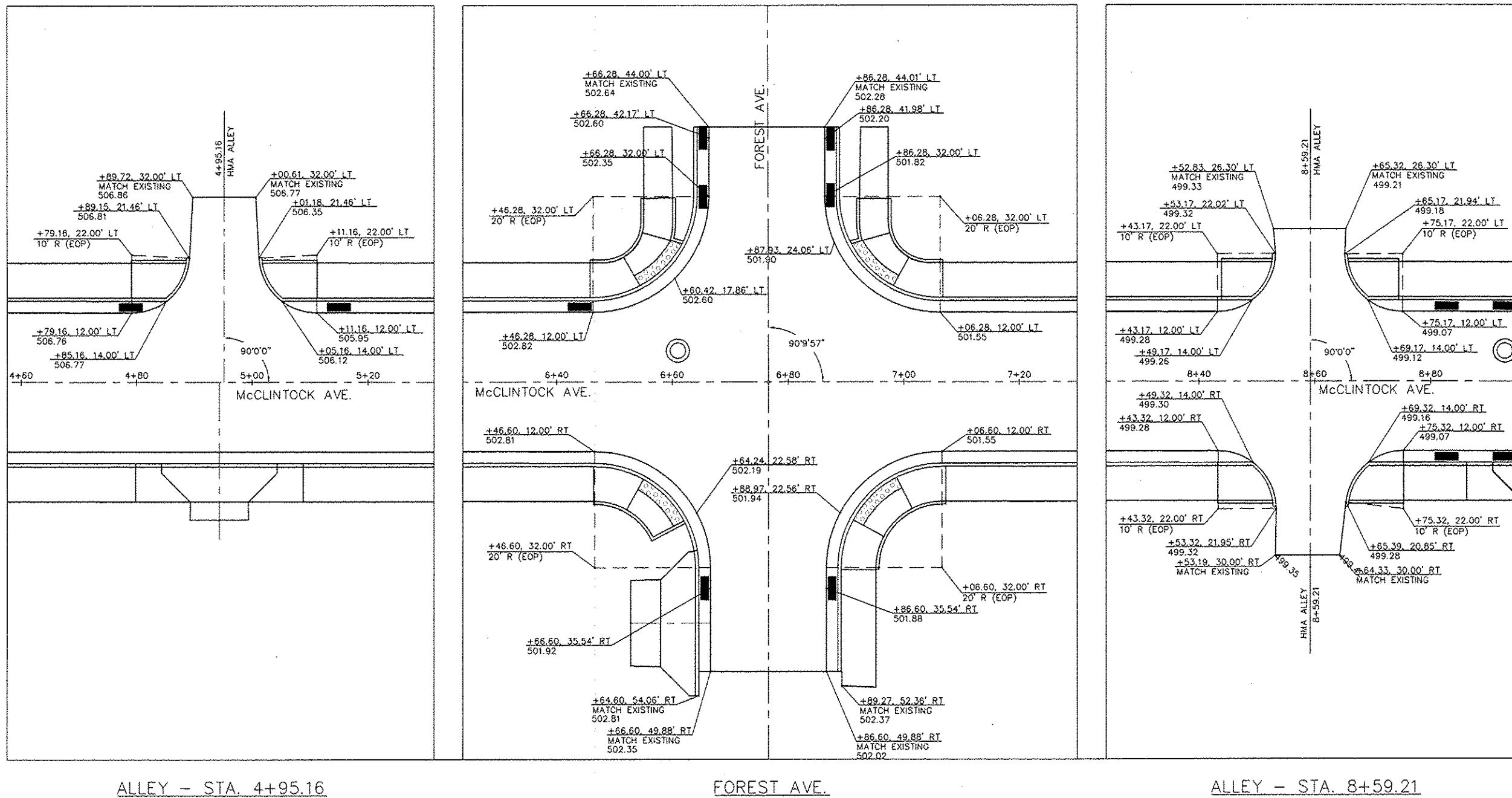
PROJECT TITLE:
 MCCLINTOCK AVE. STREET IMPROVEMENTS
 CITY OF BELLEVILLE
 ST. CLAIR COUNTY, IL

SHEET TITLE:

DESIGNED BY: TJR	SHEET
DRAWN BY: JLT	39
CHECKED BY: LDC	
DATE OF PRELIMINARY: 03/29/2013	
DATE OF FINAL: 05/24/2013	
SHEET NO. 32 OF 22 SHEETS	
PROJECT NUMBER 11-1041	



FILE: P:\11-1041_McClintock\10_CAD\CAD Sheets\11-1041_IntersectionDetails.dwg

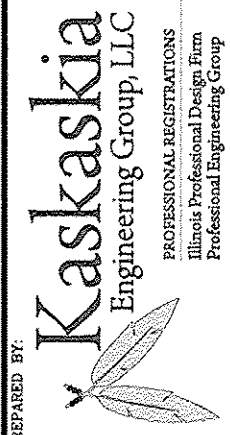


ALLEY - STA. 4+95.16

FOREST AVE.

ALLEY - STA. 8+59.21

208 East Main Street, Suite 100
 Belleville, Illinois 62220
 618.233.5577 Phone
 618.233.5777 fax
 www.kaskaskiaeng.com

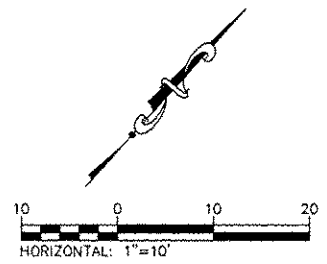


CONTRACT NO. 97531
 SEC. NO. 05-00209-00-PV

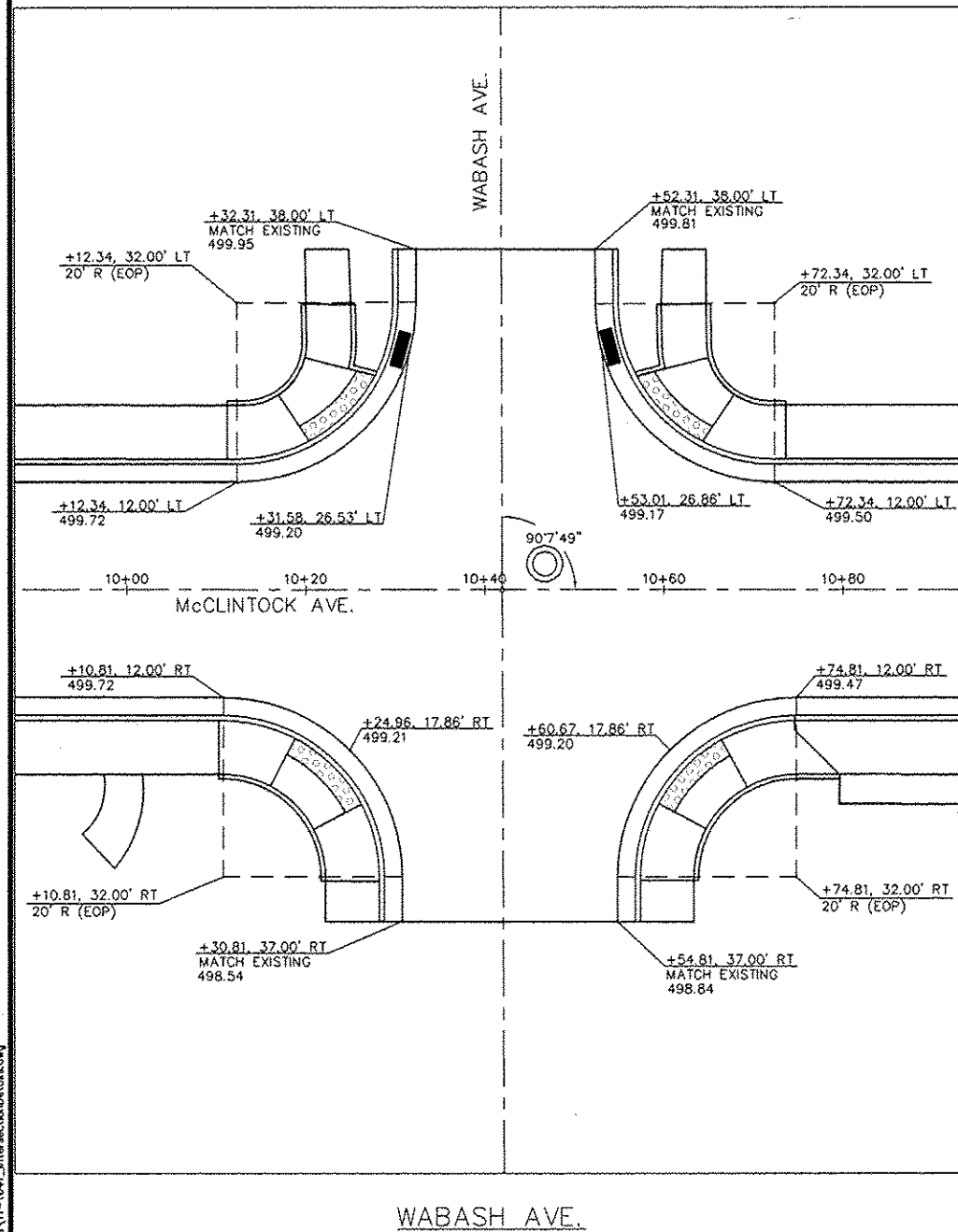
REV.	DATE	DESCRIP
△		
△		
△		
△		
△		

INTERSECTION DETAILS
 PROJECT TITLE:
 MCCLINTOCK AVE. STREET IMPROVEMENTS
 CITY OF BELLEVILLE
 ST. CLAIR COUNTY, IL

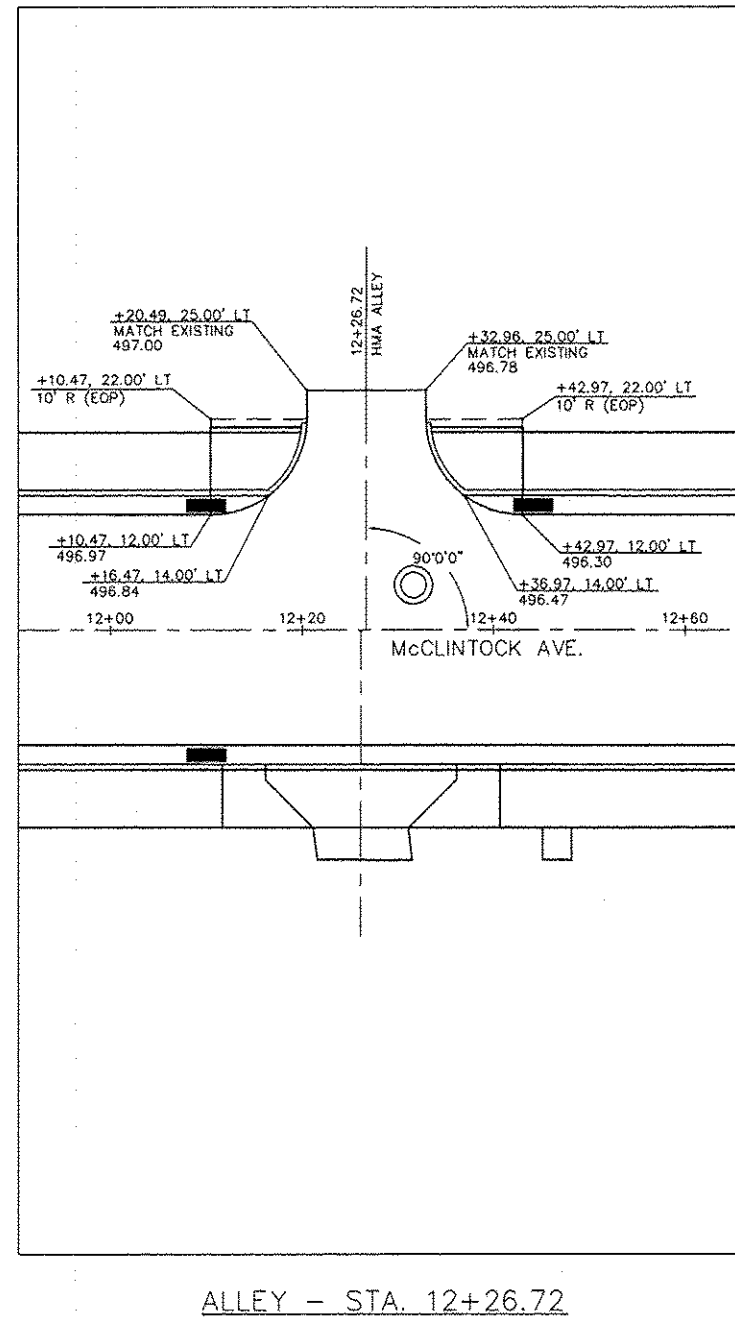
DESIGNED BY:	TJR	SHEET
DRAWN BY:	JLT	
CHECKED BY:	GEB	40
DATE OF PRELIMINARY:	03/29/2013	
DATE OF FINAL:	05/24/2013	
SHEET NO. 40	OF 72 SHEETS	
PROJECT NUMBER	11-1041	



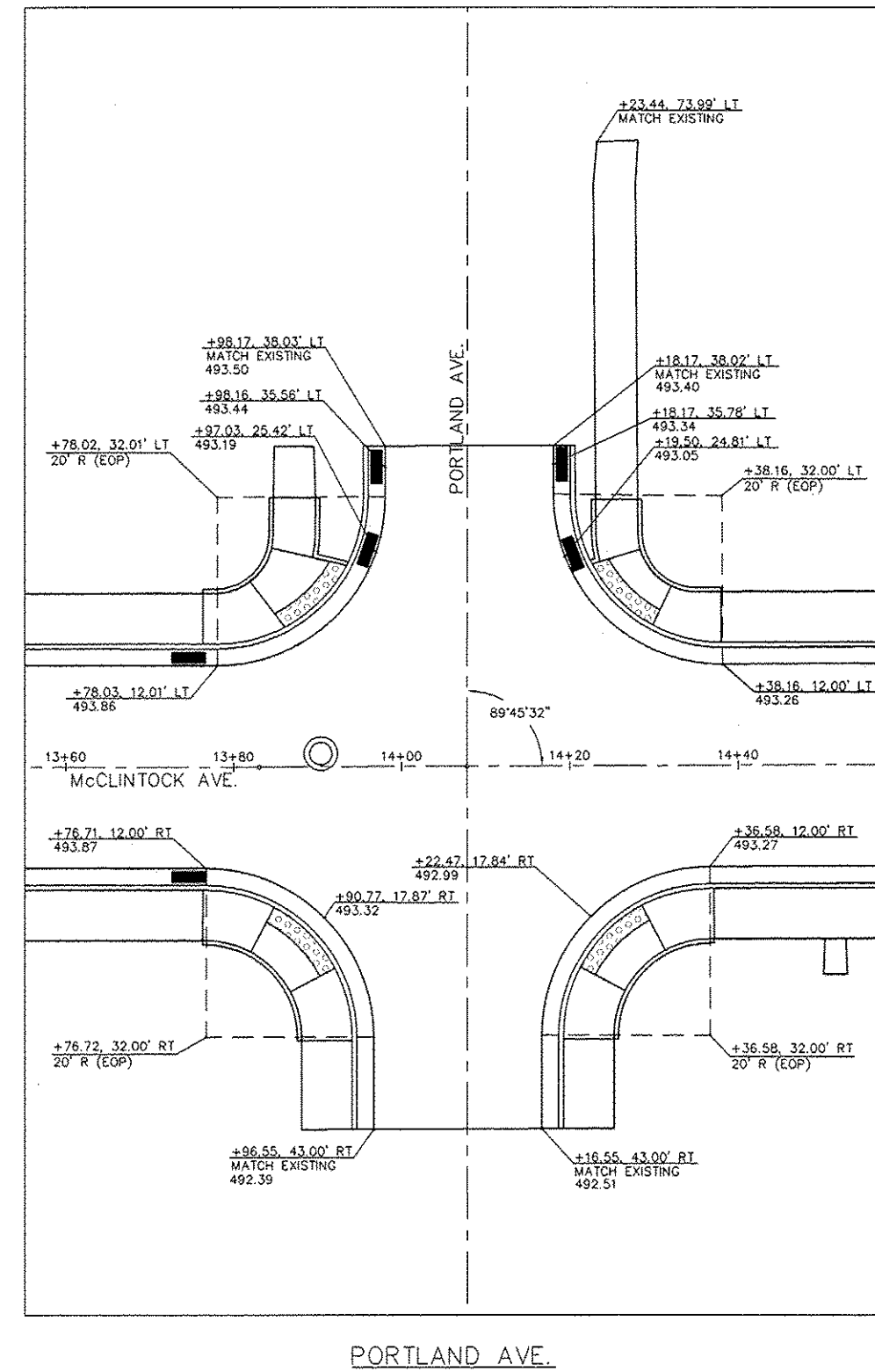
FILE: P:\11-1041_McClintock\10_CADD\CADD_Sheets\11-1041_IntersectionDetails.dwg



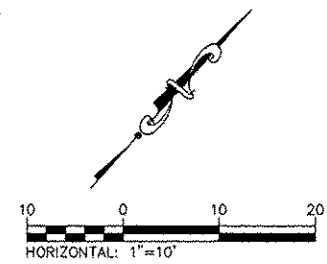
WABASH AVE.



ALLEY - STA. 12+26.72



PORTLAND AVE.



CONTRACT NO. 97531
SEC. NO. 05-00209-00-PV

REV.	DATE	DESCRIP
△		
△		
△		
△		
△		

INTERSECTION DETAILS

SHEET TITLE:
PROJECT TITLE:
MCCLINTOCK AVE. STREET IMPROVEMENTS
CITY OF BELLEVILLE
ST. CLAIR COUNTY, IL

DESIGNED BY: TJR	SHEET
DRAWN BY: JLT	41
CHECKED BY: GEB	
DATE OF PRELIMINARY: 03/29/2013	
DATE OF FINAL: 05/24/2013	
SHEET NO. 41 OF 72 SHEETS	
PROJECT NUMBER: 11-1041	

PREPARED BY:

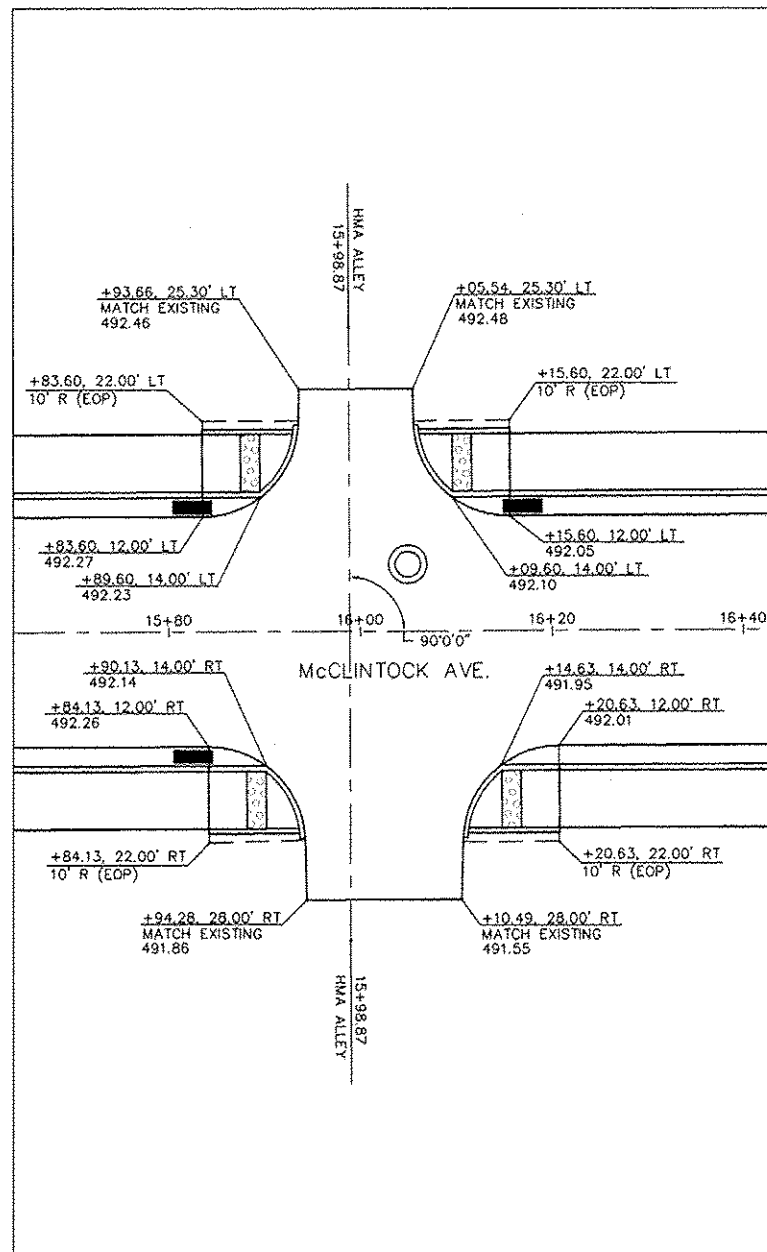
Kaskaskia
Engineering Group, LLC

PROFESSIONAL REGISTRATIONS
Illinois Professional Design Firm
Professional Engineering Group

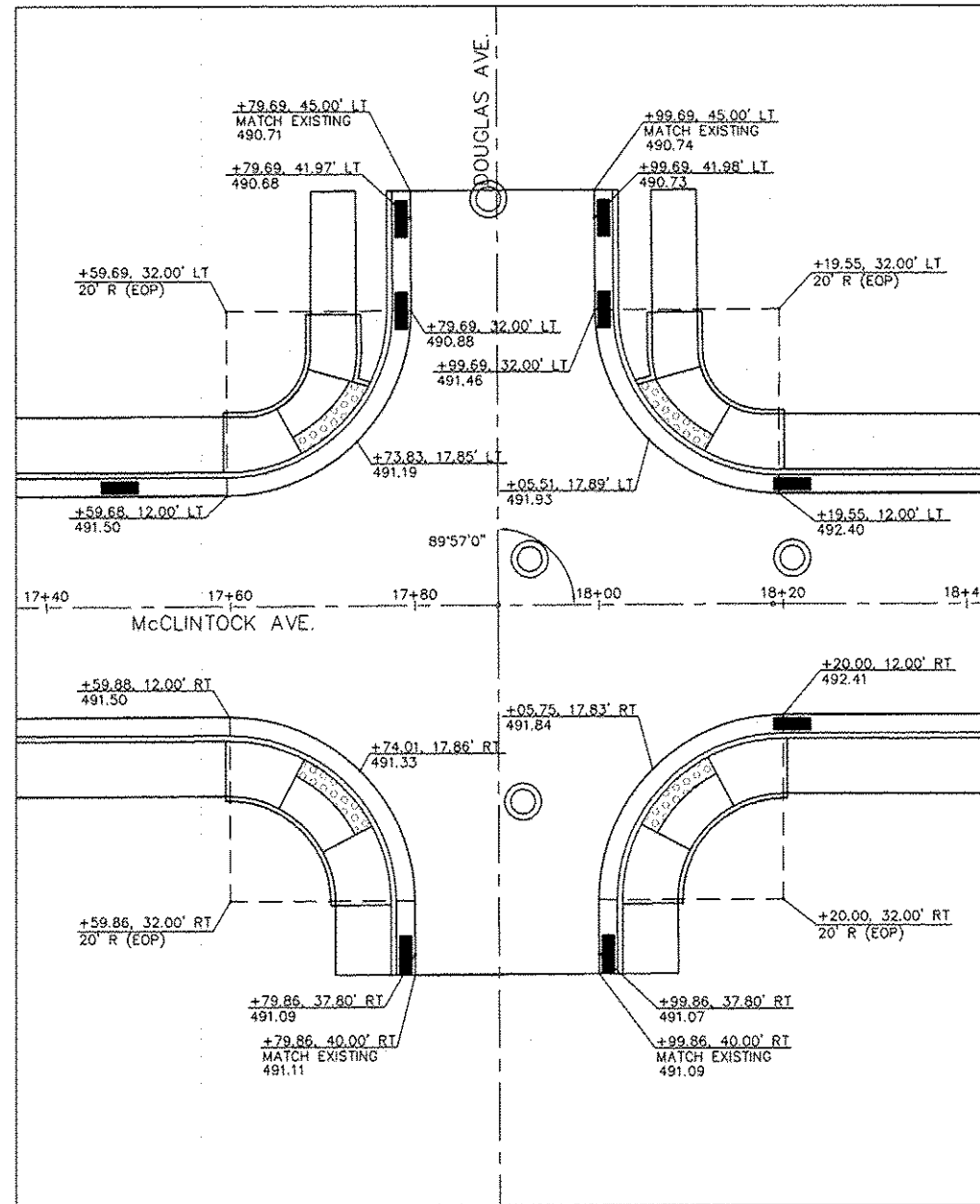
208 East Main Street, Suite 100
Belleville, Illinois 62220
618.233.5877 phone
618.233.5977 fax
www.kaskaskiaeng.com

LICENSE NO. 184.004773
20-5080586

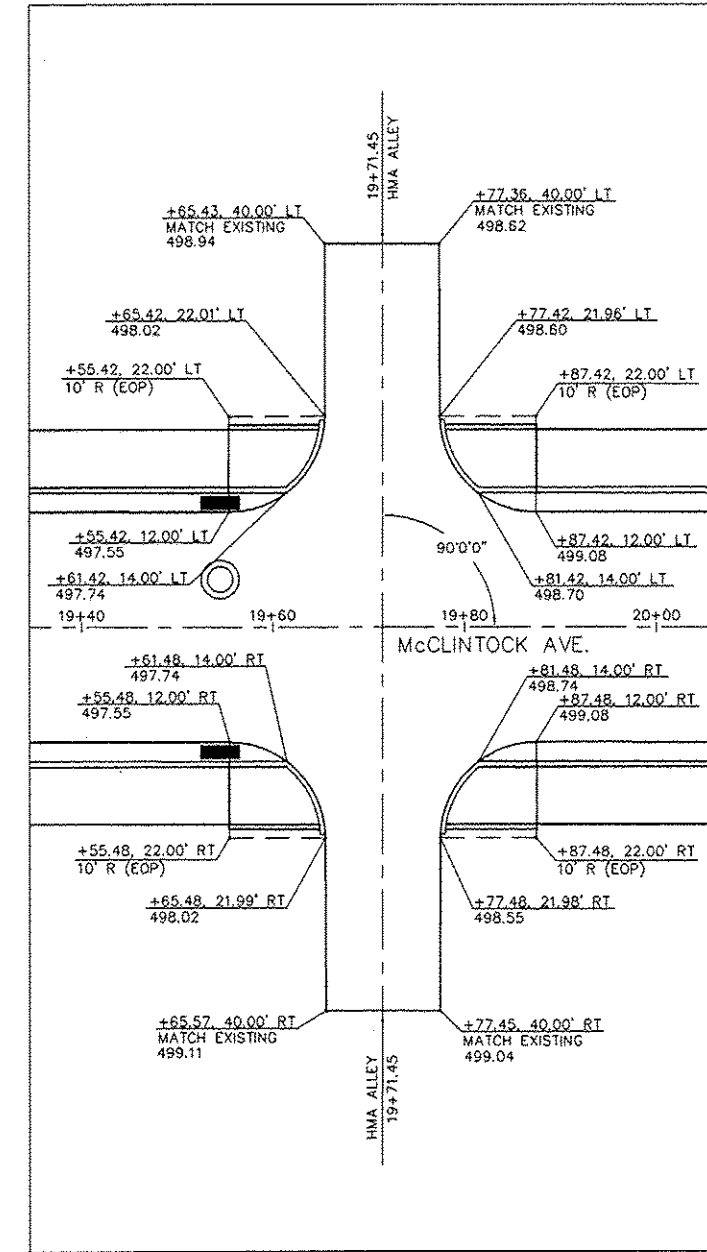
FILE: P:\11-1041_McClintock\10_CAD\CAD00_Sheets\11-1041_IntersectionDetails.dwg



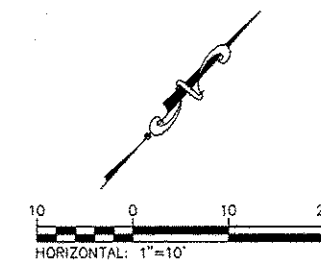
ALLEY - STA. 15+98.87



DOUGLAS AVE.



ALLEY - STA. 19+71.45



PREPARED BY:

CONTRACT NO. 97531
SEC. NO. 05-00209-00-PV

REV.	DATE	DESCRIP
△		
△		
△		
△		

INTERSECTION DETAILS

PROJECT TITLE:
MCCLINTOCK AVE. STREET IMPROVEMENTS
CITY OF BELLEVILLE
ST. CLAIR COUNTY, IL

SHEET TITLE:

DESIGNED BY: TJR	SHEET
DRAWN BY: J.L.T	42
CHECKED BY: LDC	
DATE OF PRELIMINARY: 03/29/2013	
DATE OF FINAL: 05/24/2013	
SHEET NO. 42 OF 22 SHEETS	
PROJECT NUMBER 11-1041	

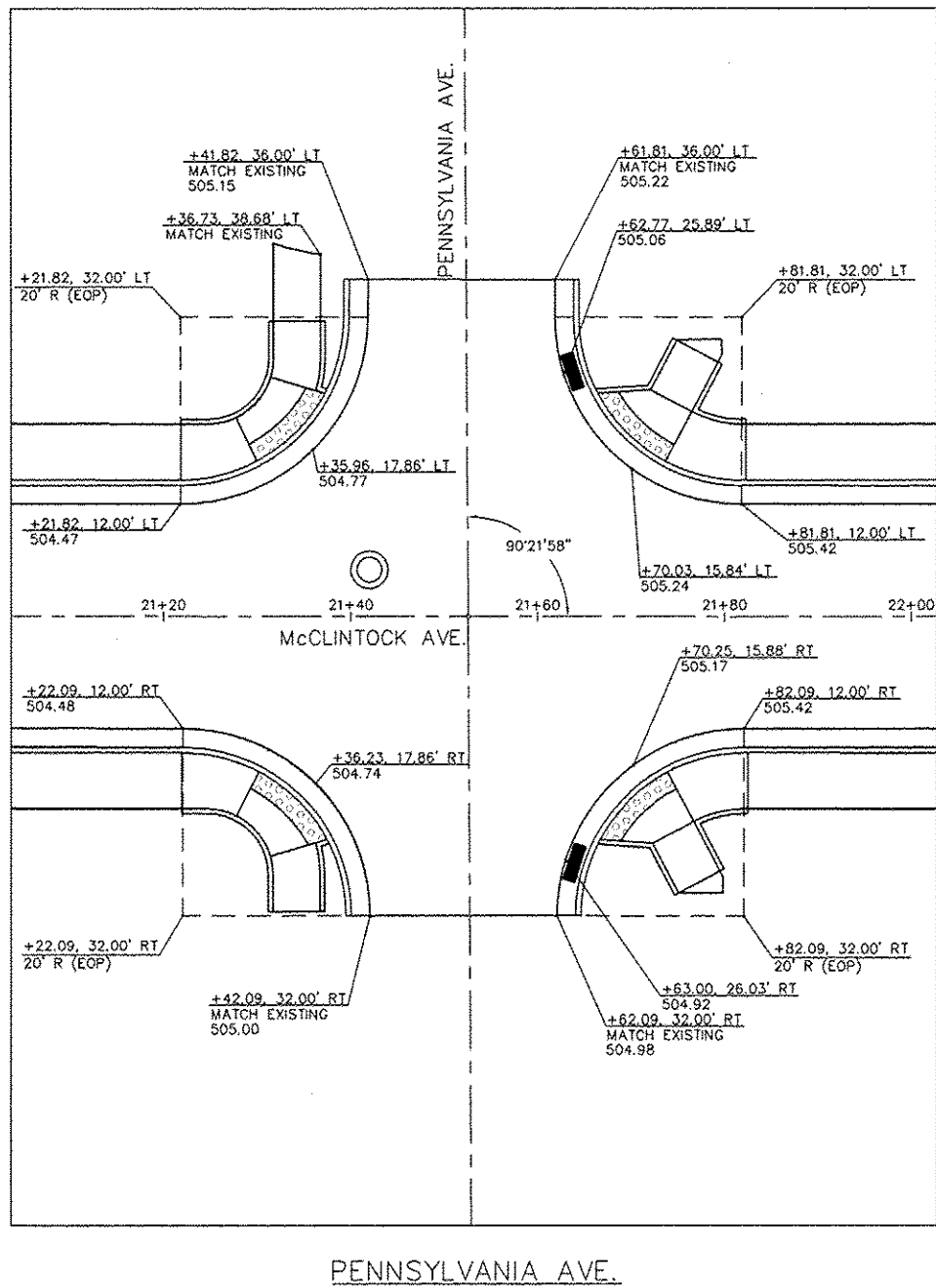
Kaskaskia
Engineering Group, LLC

PROFESSIONAL REGISTRATIONS
Illinois Professional Design Firm
Professional Engineering Group

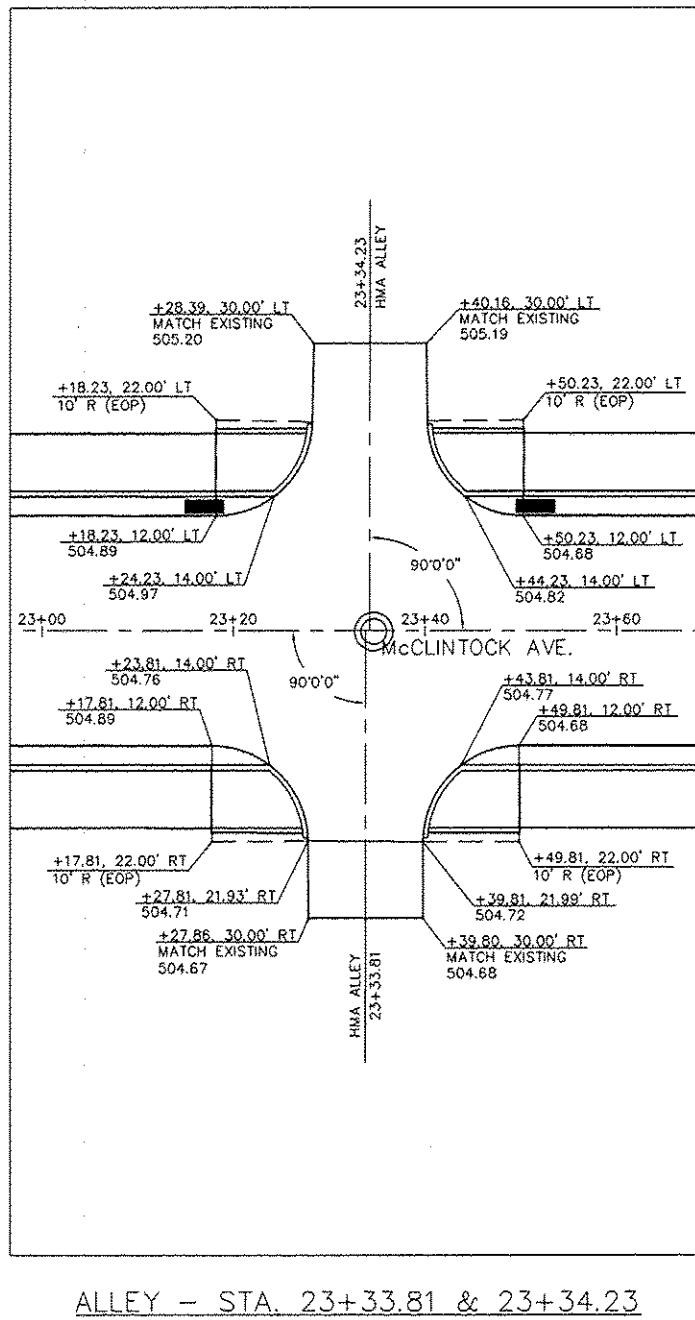
LICENSE NO.
184-004773
20-5080586

208 East Main Street, Suite 100
Belleville, Illinois 62220
618.233.5877 phone
618.233.5977 fax
www.kaskaskiaeng.com

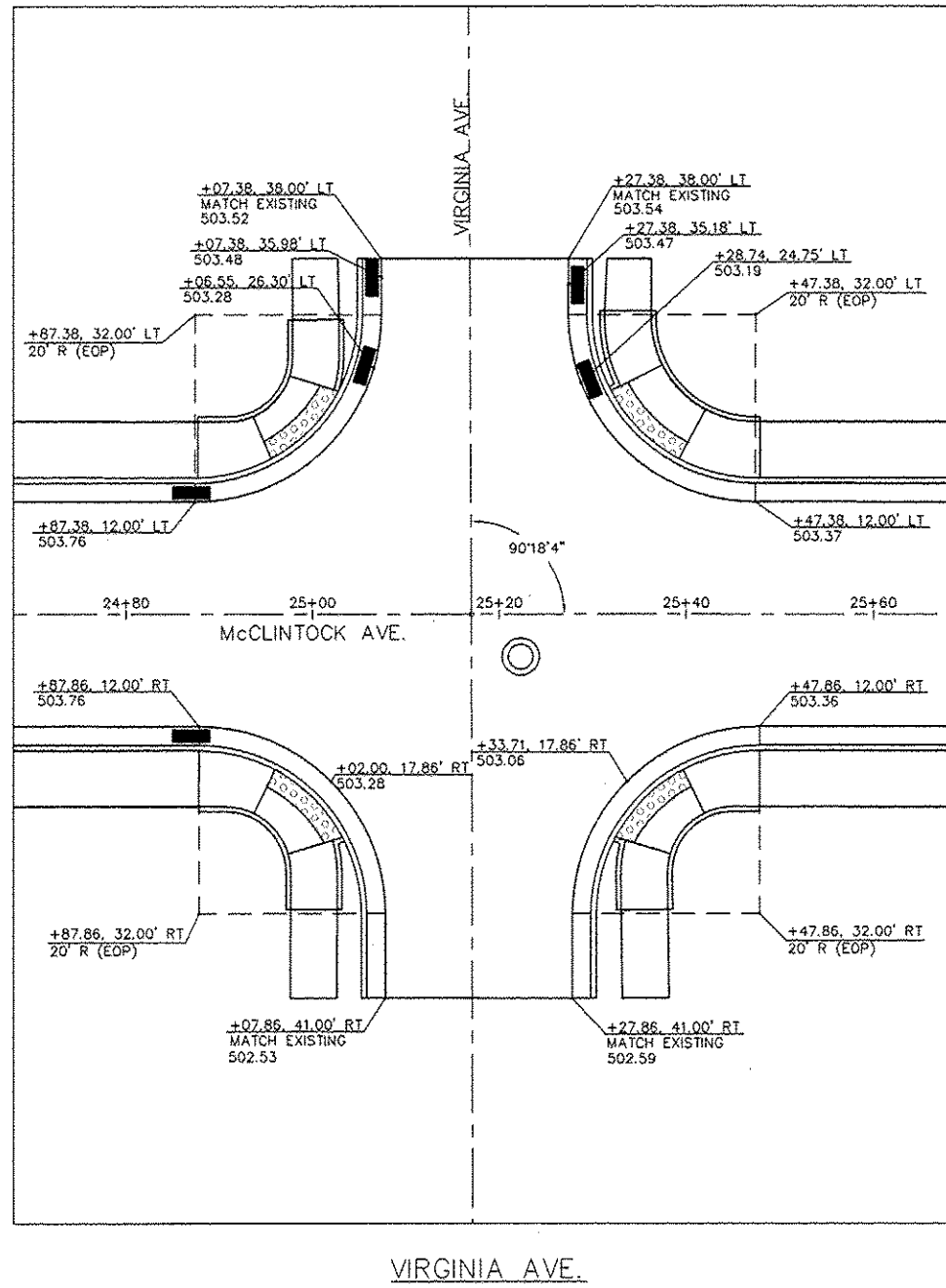
FILE: P:\11-1041_McClintock\10_CAD\CADD_Sheets\11-1041_IntersectionDetails.dwg



PENNSYLVANIA AVE.



ALLEY - STA. 23+33.81 & 23+34.23



VIRGINIA AVE.

708 East Main Street, Suite 100
 Bellville, Illinois 62220
 618.233.5877 phone
 618.233.5977 fax
 www.kaskaskiaeng.com

Kaskaskia
 Engineering Group, LLC

PROFESSIONAL REGISTRATIONS
 Illinois Professional Design Firm
 Professional Engineering Group

LICENSE NO. 184-004773
 20-5080586

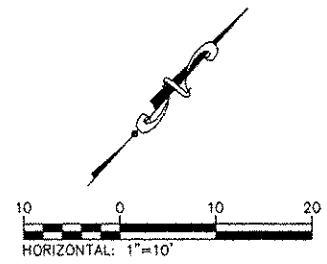
CONTRACT NO. 97531
 SEC. NO. 05-00209-00-PV

REV.	DATE	DESCRIP.
△		
△		
△		
△		
△		

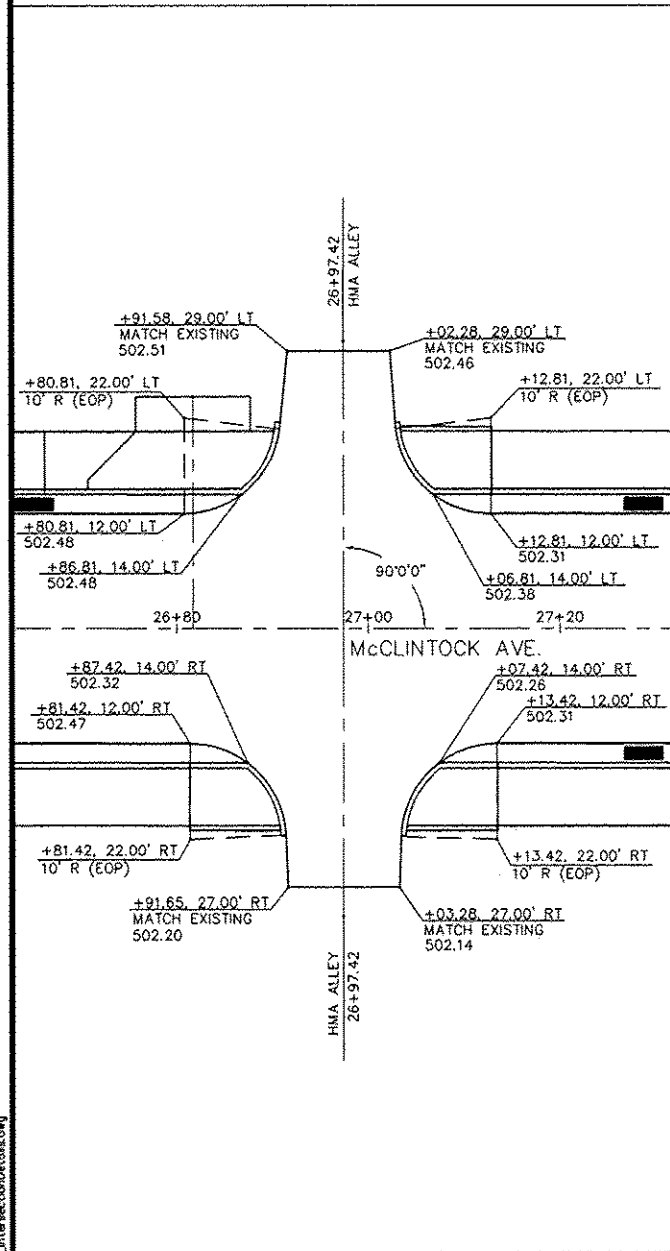
INTERSECTION DETAILS

PROJECT TITLE:
 MCCLINTOCK AVE. STREET IMPROVEMENTS
 CITY OF BELLEVILLE
 ST. CLAIR COUNTY, IL

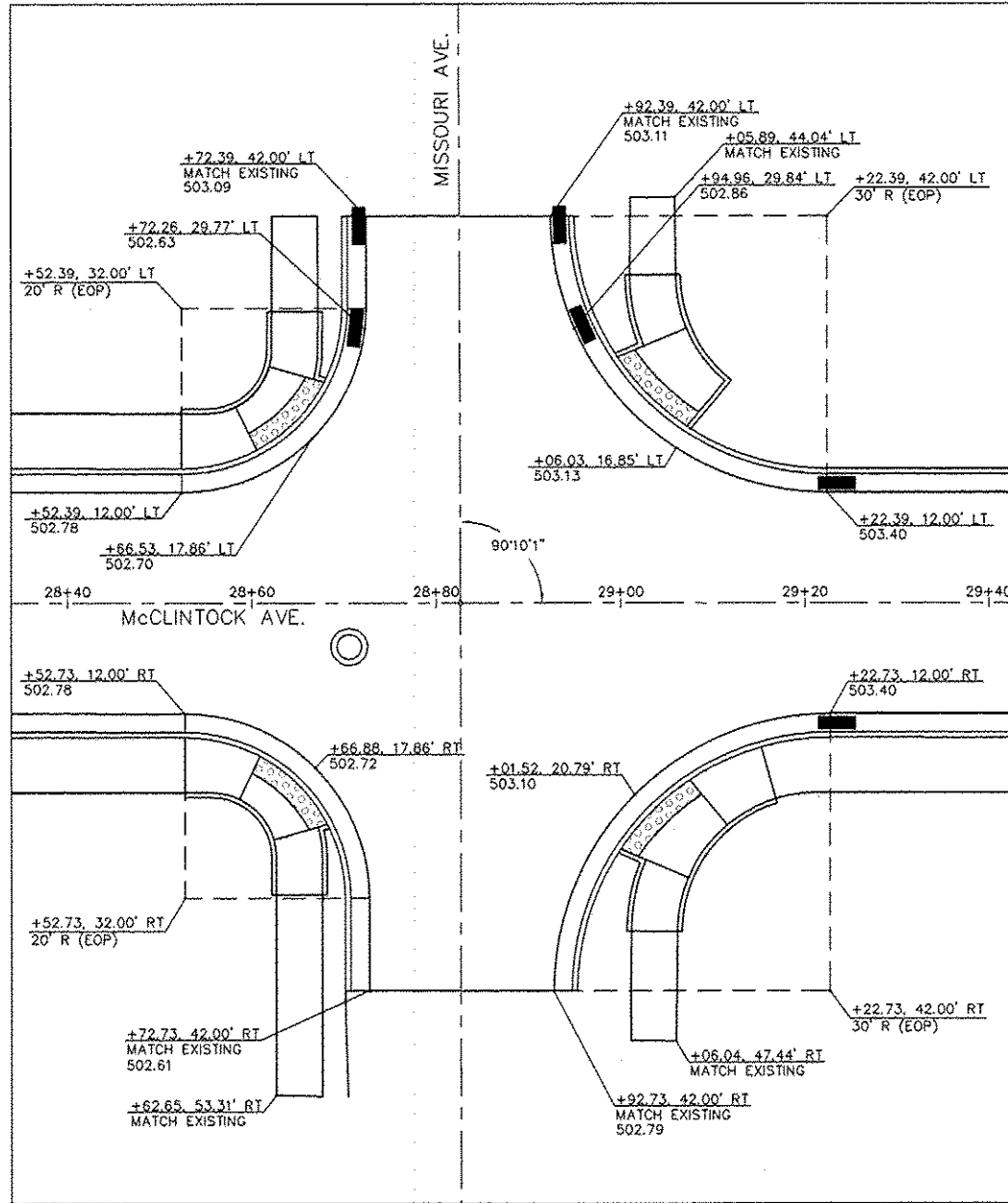
DESIGNED BY: TJR	SHEET
DRAWN BY: JLT	43
CHECKED BY: LDC	
DATE OF PRELIMINARY: 01/29/2013	
DATE OF FINAL: 05/24/2013	
SHEET NO. 43 OF 22 SHEETS	
PROJECT NUMBER 11-1041	



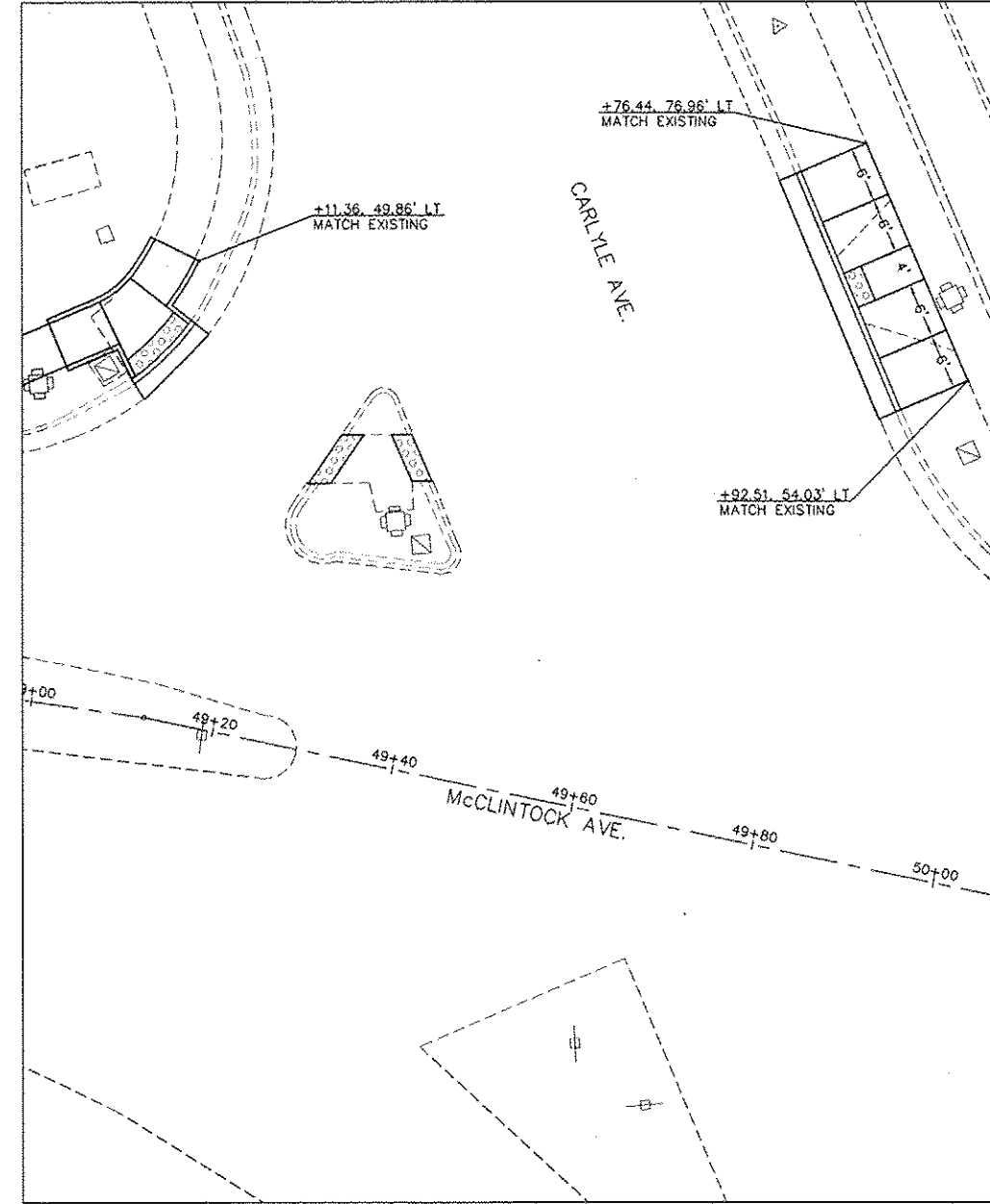
FILE: P:\11-1041 McClintock\10_CADD\Sheet\11-1041_IntersectionDetails.dwg



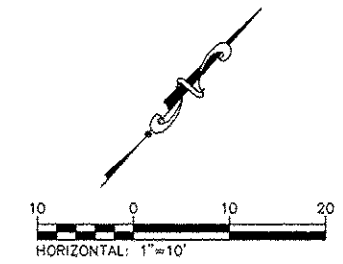
ALLEY - STA. 26+97.42



MISSOURI AVE.



CARLYLE AVE.



208 East Main Street, Suite 100
 Belleville, Illinois 62220
 618.233.5877 Phone
 618.233.5977 Fax
 www.kaskasiaeng.com

Kaskasia
 Engineering Group, LLC

CONTRACT NO. 97531
 SEC. NO. 05-00209-00-PV

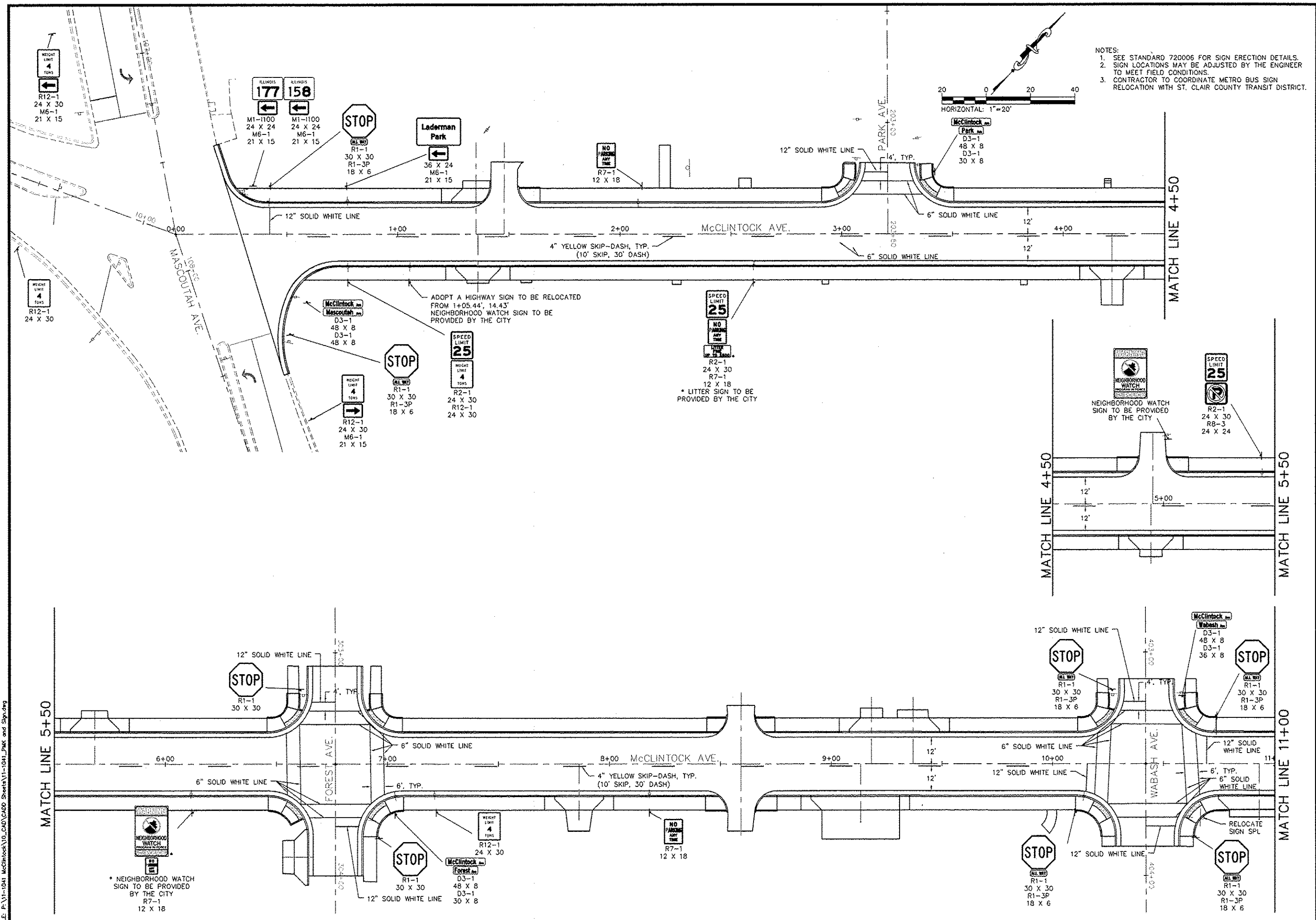
REV.	DATE	DESCRIP
△		
△		
△		
△		
△		

INTERSECTION DETAILS
 MCCLINTOCK AVE. STREET IMPROVEMENTS
 CITY OF BELLEVILLE
 ST. CLAIR COUNTY, IL

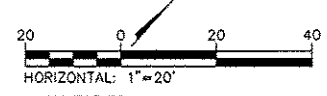
DESIGNED BY: TJR	SHEET
DRAWN BY: JLT	44
CHECKED BY: LDC	
DATE OF PRELIMINARY: 03/29/2013	
DATE OF FINAL: 05/24/2013	
SHEET NO. 44 OF 72 SHEETS	
PROJECT NUMBER 11-1041	

FILE: P:\11-1041_McClintock\110_040_0400_Sheets\11-1041_Pk and Signing

LAST PLOTTED: 5/24/2013 10:43 AM OPERATOR: JLT



- NOTES:
- SEE STANDARD 720006 FOR SIGN ERECTION DETAILS.
 - SIGN LOCATIONS MAY BE ADJUSTED BY THE ENGINEER TO MEET FIELD CONDITIONS.
 - CONTRACTOR TO COORDINATE METRO BUS SIGN RELOCATION WITH ST. CLAIR COUNTY TRANSIT DISTRICT.



PREPARED BY:

Kaskaskia
Engineering Group LLC

PROFESSIONAL REGISTRATIONS
Illinois Professional Design Firm
Professional Engineering Group

208 East Main Street, Suite 100
Belleville, Illinois 62220
618.233.5877 phone
618.233.5877 fax
www.kaskaskiaeng.com

LICENSE NO.
184.004773
29-3080386

CONTRACT NO. 07531
SEC. NO. 05-00209-00-PV

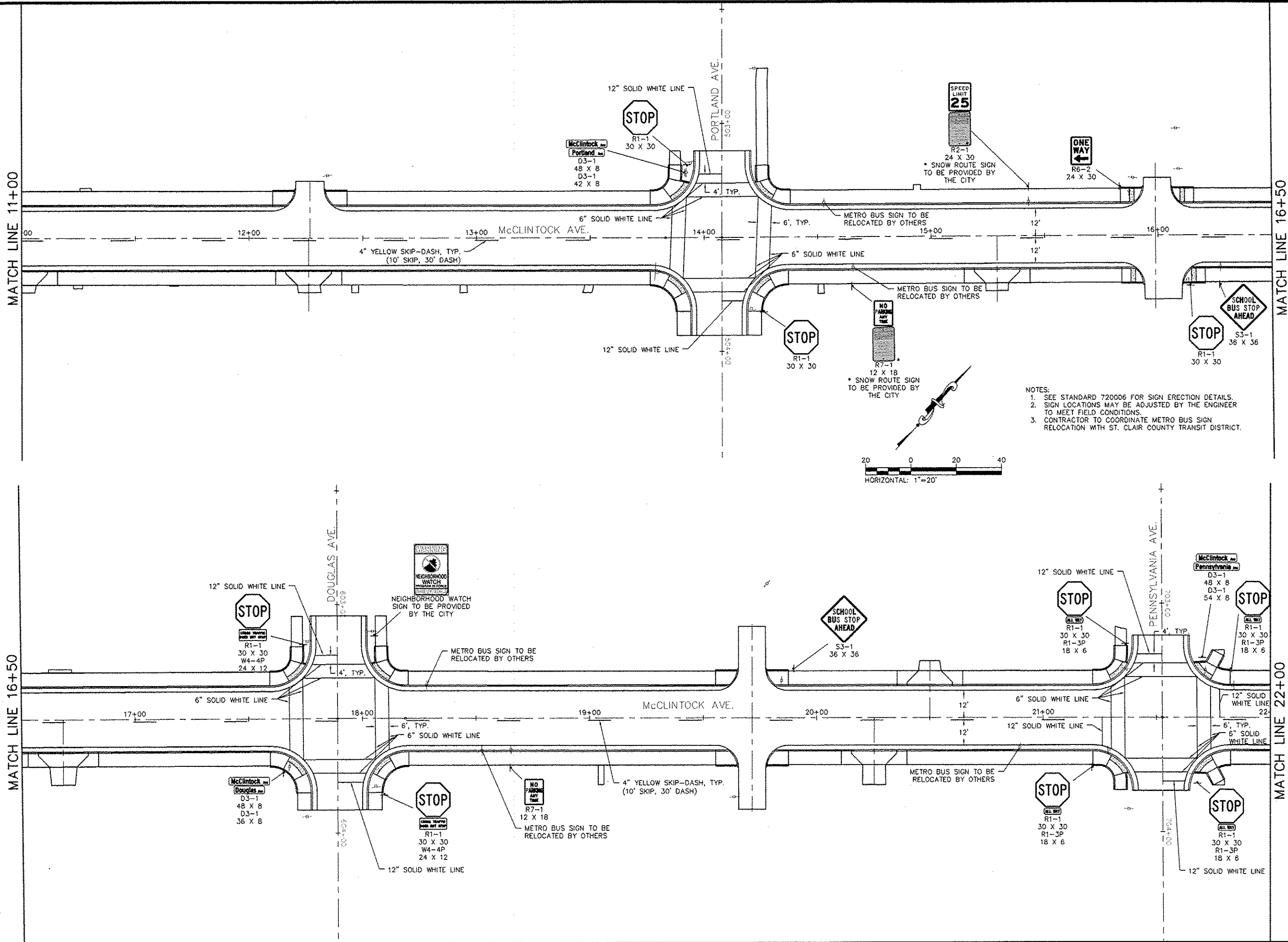
REV.	DATE	DESCRIP
△		
△		
△		
△		
△		

SHEET TITLE:
PAVEMENT MARKING AND SIGNING PLANS

PROJECT TITLE:
**MCCLINTOCK AVE. STREET IMPROVEMENTS
CITY OF BELLEVILLE
ST. CLAIR COUNTY, IL**

DESIGNED BY: TJR	SHEET
DRAWN BY: JLT	45
CHECKED BY: LDC	
DATE OF PRELIMINARY: 03/29/2011	
DATE OF FINAL: 05/24/2013	
SHEET NO. 45 OF 72 SHEETS	
PROJECT NUMBER 11-1041	

FILE: P:\11-1041 McClintock\10_CADD\Drawings\11-1041_Plan and Sign.dwg



- NOTES:
- SEE STANDARD 720006 FOR SIGN ERECTION DETAILS.
 - SIGN LOCATIONS MAY BE ADJUSTED BY THE ENGINEER TO MEET FIELD CONDITIONS.
 - CONTRACTOR TO COORDINATE METRO BUS SIGN RELOCATION WITH ST. CLAIR COUNTY TRANSIT DISTRICT.

208 East Main Street, Suite 100
 Belleville, Illinois 62220
 618.233.5877 phone
 618.233.5977 fax
 www.kaskasiaeng.com

Kaskasia
 Engineering Group, LLC

PROFESSIONAL REGISTRATIONS
 Illinois Professional Design Firm
 Professional Engineering Group

LICENSE NO. 184-004773
 20-5080586

CONTRACT NO. 97531
 SEC. NO. 05-00209-00-PV

REV.	DATE	DESCRIP.
△		
△		
△		
△		
△		

SHEET TITLE:
PAVEMENT MARKING AND SIGNING PLANS

PROJECT TITLE:
**MCCLINTOCK AVE. STREET IMPROVEMENTS
 CITY OF BELLEVILLE
 ST. CLAIR COUNTY, IL**

DESIGNED BY: TJK	SHEET 46
DRAWN BY: JLT	
CHECKED BY: GEB	
DATE OF PRELIMINARY: 03/29/2013	
DATE OF FINAL: 05/24/2013	
SHEET NO. 46 OF 22 SHEETS	
PROJECT NUMBER 11-1041	

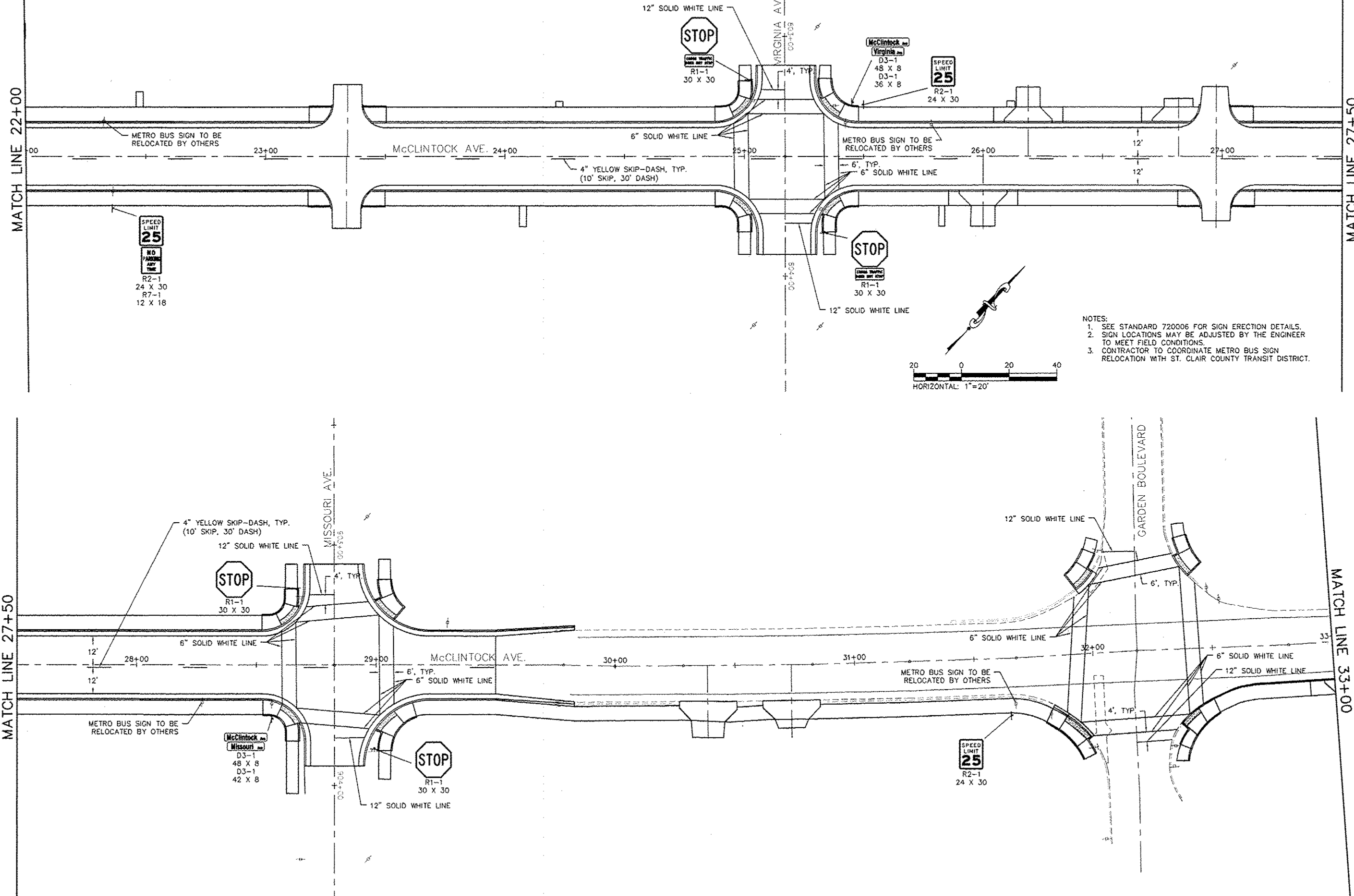
FILE: P:\11-1041 McClintock\10_CAD\CAD Sheets\11-1041_PMK and Sign.dwg

MATCH LINE 22+00

MATCH LINE 27+50

MATCH LINE 27+50

MATCH LINE 33+00



- NOTES:
1. SEE STANDARD 720006 FOR SIGN ERECTION DETAILS.
 2. SIGN LOCATIONS MAY BE ADJUSTED BY THE ENGINEER TO MEET FIELD CONDITIONS.
 3. CONTRACTOR TO COORDINATE METRO BUS SIGN RELOCATION WITH ST. CLAIR COUNTY TRANSIT DISTRICT.

208 East Main Street, Suite 100
 Belleville, Illinois 62220
 618.233.5877 phone
 618.233.9777 fax
 www.kaskasiaeng.com



Kaskasia
 Engineering Group, LLC

PROFESSIONAL REGISTRATIONS
 Illinois Professional Design Firm
 Professional Engineering Group

LICENSE NO. 184-004773
 20-5080586

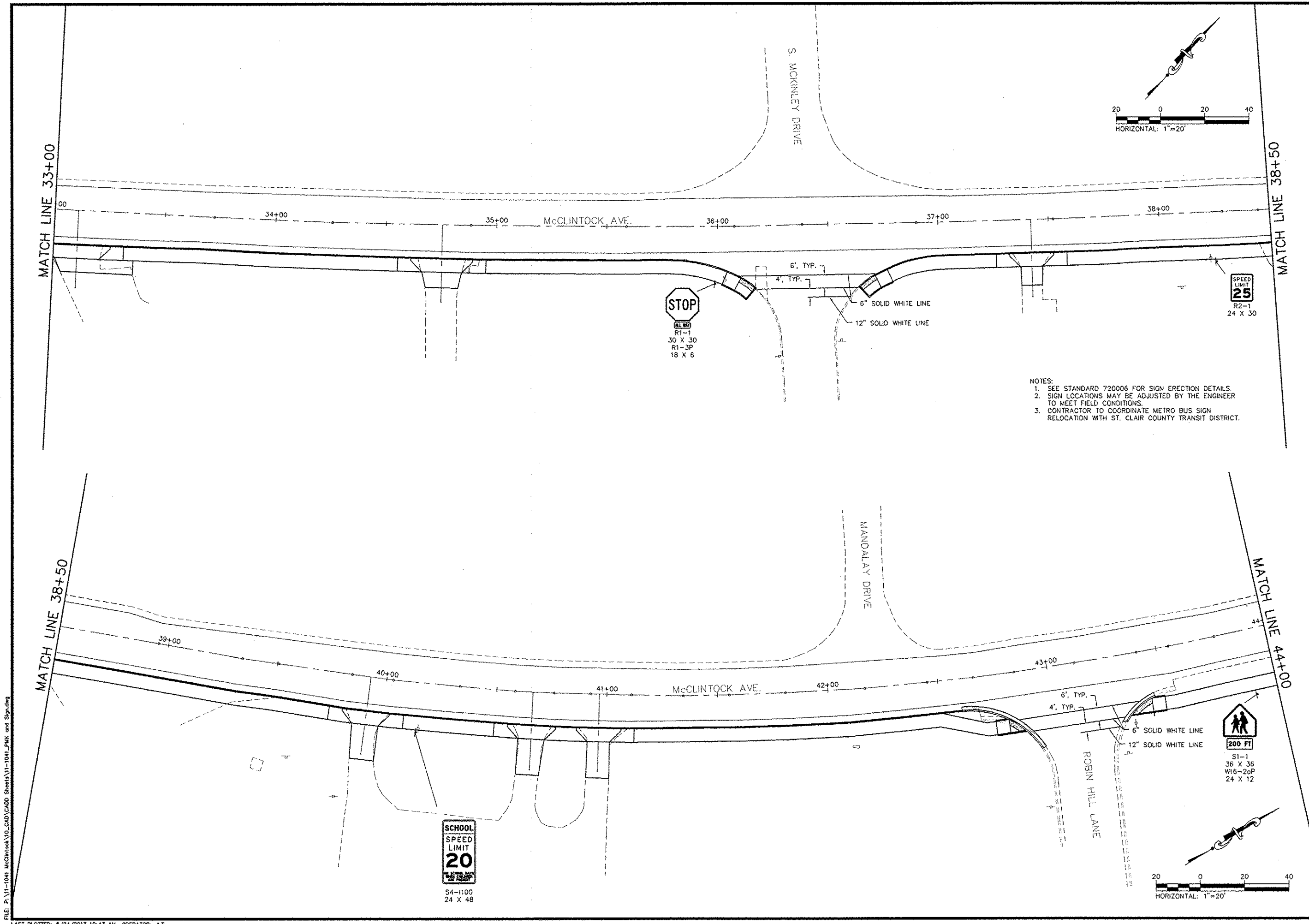
CONTRACT NO. 97531
 SEC. NO. 05-00209-00-PV

REV.	DATE	DESCRIP
△		
△		
△		
△		
△		

SHEET TITLE:
PAVEMENT MARKING AND SIGNING PLANS

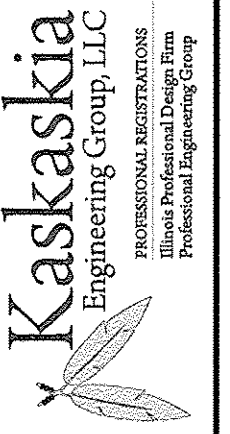
PROJECT TITLE:
**MCCLINTOCK AVE. STREET IMPROVEMENTS
 CITY OF BELLEVILLE
 ST. CLAIR COUNTY, IL**

DESIGNED BY: TJR	SHEET
DRAWN BY: JLT	47
CHECKED BY: LDC	
DATE OF PRELIMINARY: 03/29/2013	
DATE OF FINAL: 05/24/2013	
SHEET NO. 47 OF 22 SHEETS	
PROJECT NUMBER 11-1041	



- NOTES:
1. SEE STANDARD 720006 FOR SIGN ERECTION DETAILS.
 2. SIGN LOCATIONS MAY BE ADJUSTED BY THE ENGINEER TO MEET FIELD CONDITIONS.
 3. CONTRACTOR TO COORDINATE METRO BUS SIGN RELOCATION WITH ST. CLAIR COUNTY TRANSIT DISTRICT.

208 East Main Street, Suite 100
 Belleville, Illinois 62220
 618.233.5877 phone
 618.233.5977 fax
 www.kaskaskiaeng.com



CONTRACT NO. 97531
 SEC. NO. 05-00209-00-PV

REV.	DATE	DESCRIP
△		
△		
△		
△		
△		

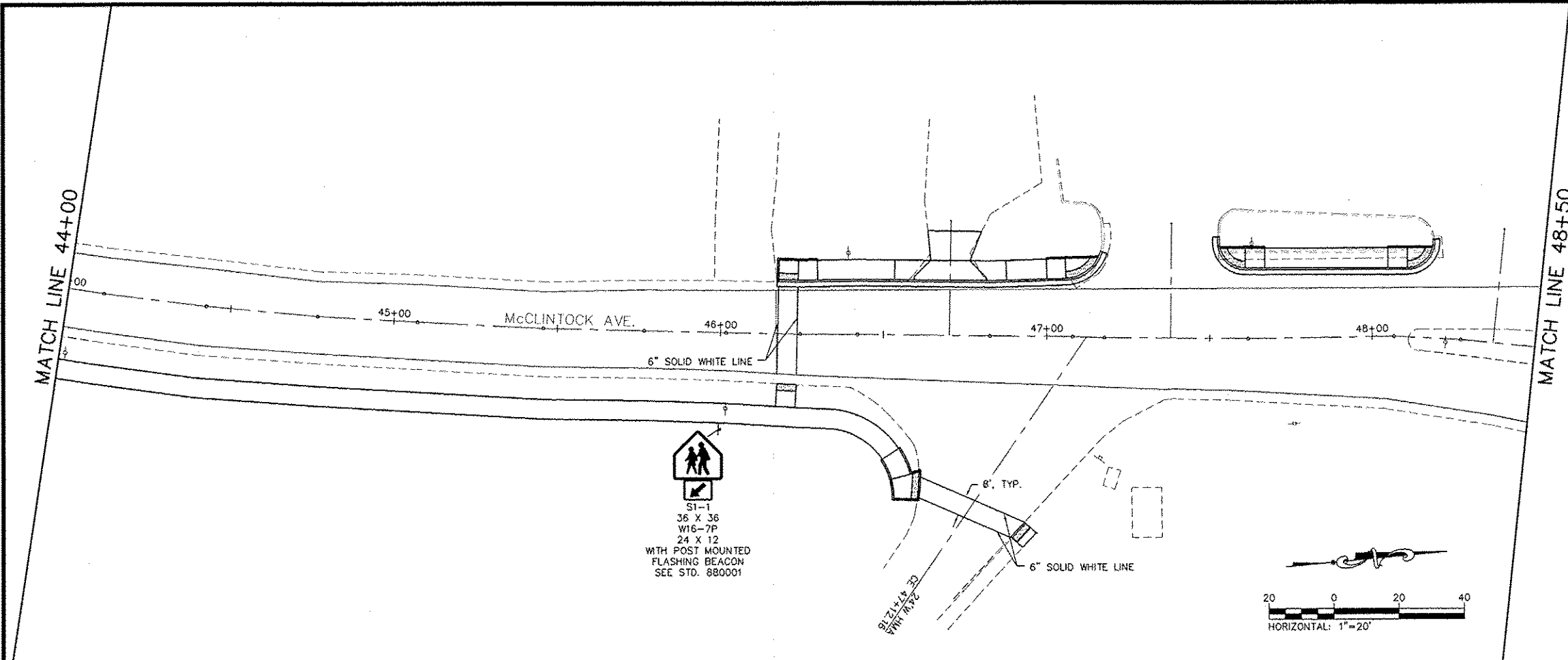
SHEET TITLE:
PAVEMENT MARKING AND SIGNING PLANS

PROJECT TITLE:
**MCCLINTOCK AVE. STREET IMPROVEMENTS
 CITY OF BELLEVILLE
 ST. CLAIR COUNTY, IL**

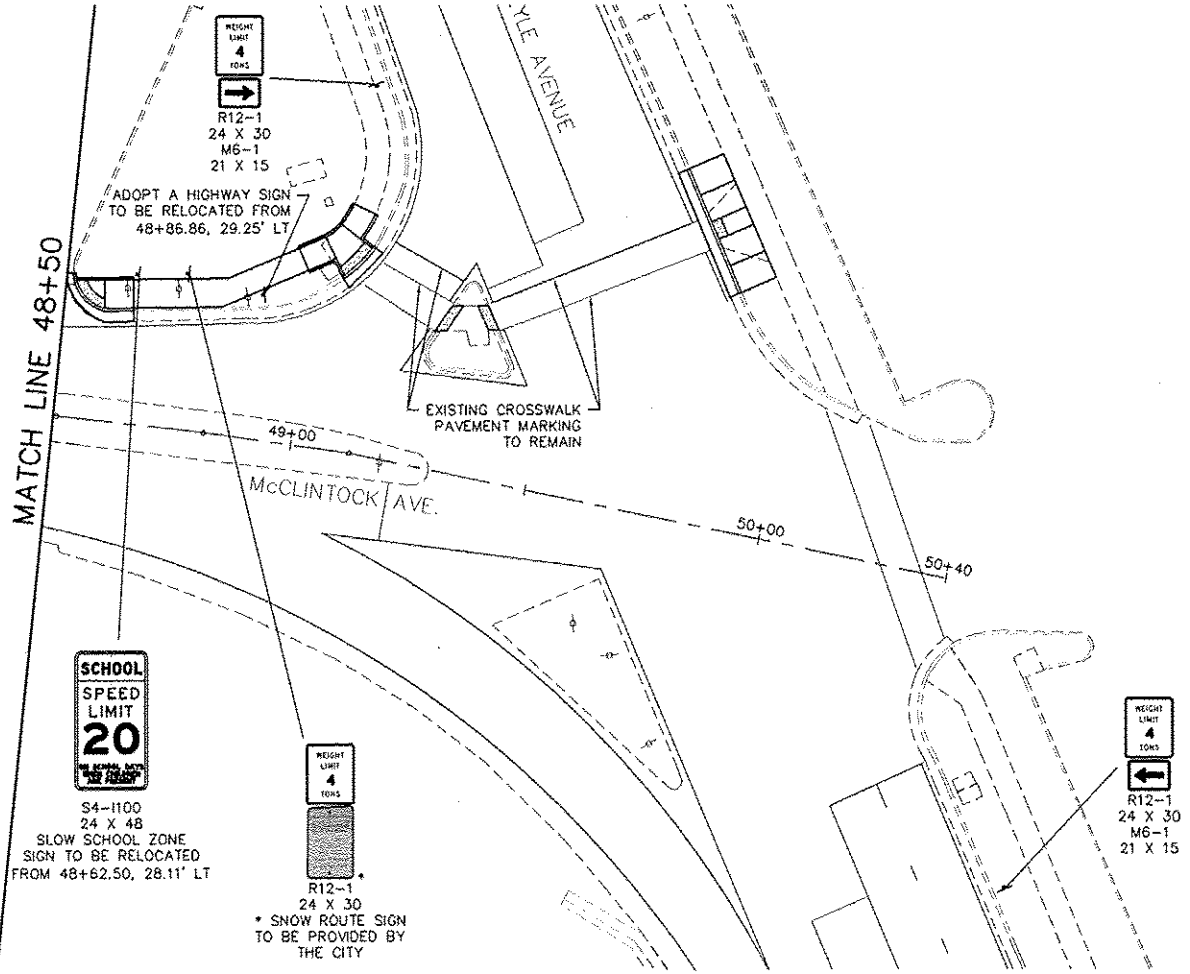
DESIGNED BY: TJR	SHEET 48
DRAWN BY: JLT	
CHECKED BY: GEB	
DATE OF PRELIMINARY: 03/29/2013	
DATE OF FINAL: 05/24/2013	
SHEET NO. 48 OF 22 SHEETS	
PROJECT NUMBER 11-1041	

FILE: P:\11-1041 McClintock\10-CAD\CADD Sheets\11-1041_Pk and Signing

FILE: F:\11-1041_McClintock\10_CAD\CADD Sheets\11-1041_Pk and Sign.dwg



- NOTES:
1. SEE STANDARD 720006 FOR SIGN ERECTION DETAILS.
 2. SIGN LOCATIONS MAY BE ADJUSTED BY THE ENGINEER TO MEET FIELD CONDITIONS.
 3. CONTRACTOR TO COORDINATE METRO BUS SIGN RELOCATION WITH ST. CLAIR COUNTY TRANSIT DISTRICT.



PREPARED BY:

208 East Main Street, Suite 100
 Belleville, Illinois 62220
 618.333.5877 phone
 618.333.5977 fax
 www.kaskaskiaeng.com

LICENSE NO. 184-004773
 PROFESSIONAL REGISTRATIONS
 Illinois Professional Design Firm
 Professional Engineering Group

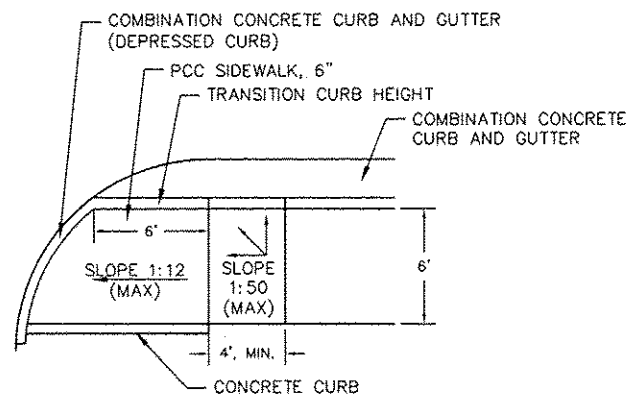
CONTRACT NO. 97531
 SEC. NO. 05-00209-00-PV

REV.	DATE	DESCRIP
△		
△		
△		
△		
△		

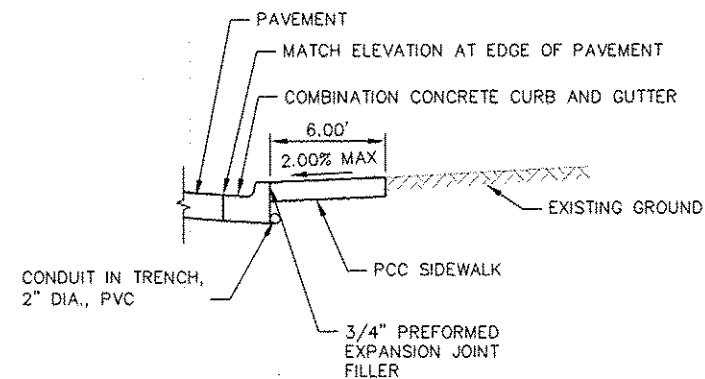
SHEET TITLE:
PAVEMENT MARKING AND SIGNING PLANS

PROJECT TITLE:
**MCCLINTOCK AVE. STREET IMPROVEMENTS
 CITY OF BELLEVILLE
 ST. CLAIR COUNTY, IL**

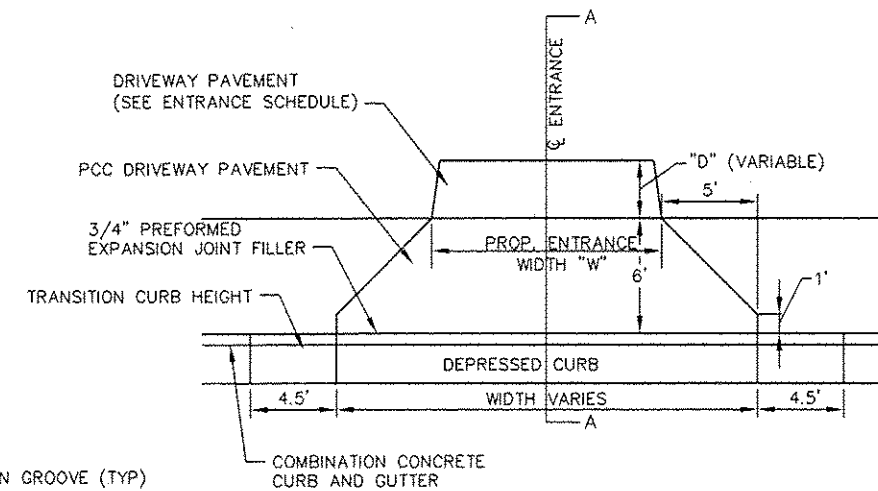
DESIGNED BY: TJR	SHEET
DRAWN BY: JLT	49
CHECKED BY: LDC	
DATE OF PRELIMINARY: 03/29/2013	
DATE OF FINAL: 05/24/2013	
SHEET NO. 49 OF 72 SHEETS	
PROJECT NUMBER 11-1041	



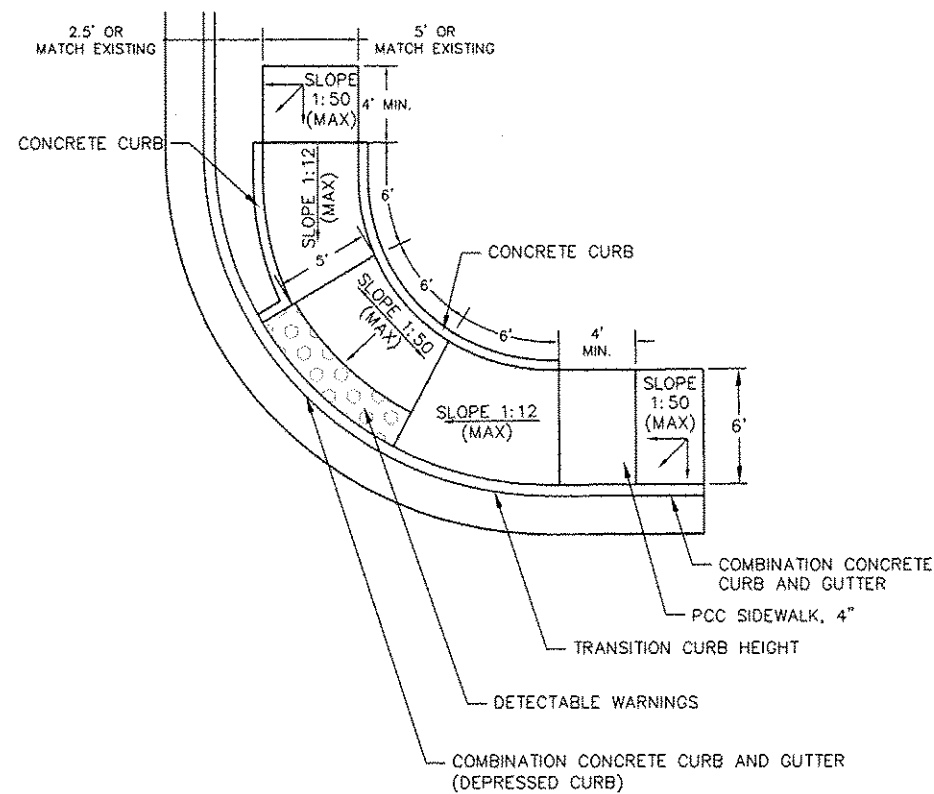
TYPICAL RAMP DETAILS AT ALLEYS
N.T.S.



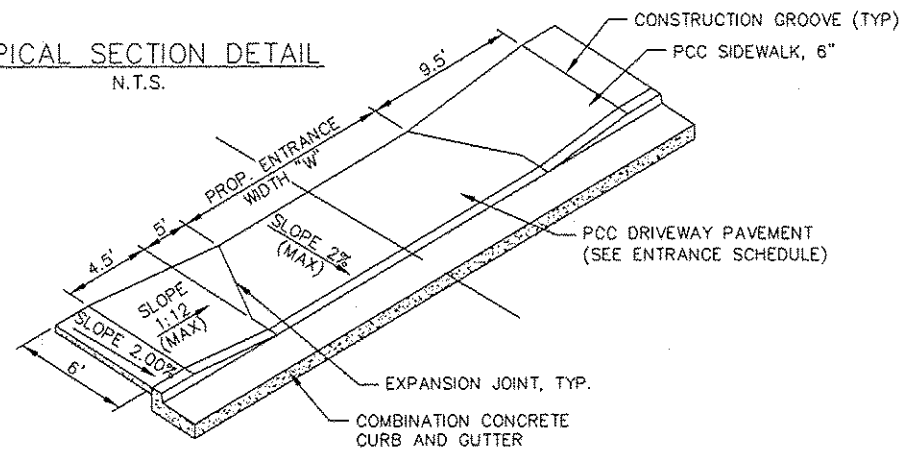
TYPICAL SECTION DETAIL
N.T.S.



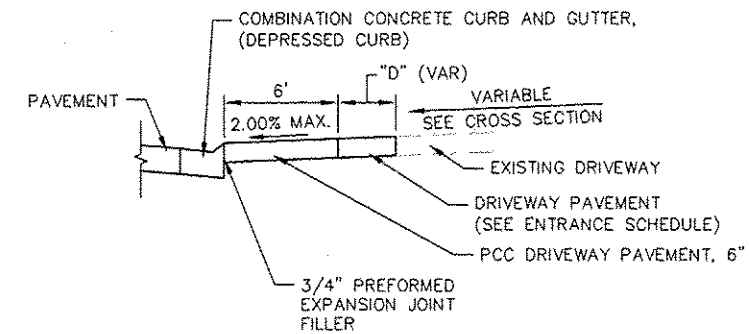
PLAN



TYPICAL RAMP DETAILS AT SIDE
STREETS
N.T.S.



TYPICAL ENTRANCE DETAIL
N.T.S.



SECTION A-A

ENTRANCE SCHEDULE

STATION	OFFSET	ENTRANCE TYPE	W (FOOT)	D (FOOT)	AGG BASE CSE A 4 (SQ YD)	AGG SURF CSE A 6 (SQ YD)	INCIDENTAL HMA SURF (TON)	PCC DRIVEWAY PAVT 6 (SQ YD)	PCC DRIVEWAY PAVT 8 (SQ YD)	DRIVE PAVEMENT REM (SQ YD)	
McCLINTOCK AVENUE											
01+35.14	LT	CE	12.8	3.4					16	16	
01+36.01	RT	PE	10.0	1.4				13		10	
04+21.98	RT	PE	10.0	11.4				24		24	
04+94.34	RT	PE	10.0	3.2				15		15	
05+68.24	LT	PE	12.0	3.4				17		18	
07+86.32	RT	PE	12.0	9.4				24		28	
09+13.24	RT	CE	35.0	13.0				76		98	
09+18.09	LT	PE	10.0	4.4				17		15	
09+38.79	LT	PE	14.0	3.6				19		21	
10+82.98	RT	CE	26.7	3.3					32		
12+26.15	RT	PE	10.0	3.4				15			
15+29.11	RT	PE	10.0	3.4				15		16	
16+68.38	RT	PE	12.0	8.0				22		21	
20+25.35	RT	PE	10.0	8.7	10		1.2	11		21	
20+50.00	LT	PE	10.0	4.4				16		13	
26+00.00	RT	PE	10.0	8.6				21		21	
26+18.85	LT	PE	10.0	8.2				20		18	
26+81.71	LT	PE	12.0	3.8				16		19	
30+38.46	RT	PE	14.0	6.8				30		25	
30+73.50	RT	PE	14.0	3.6				24		20	
33+10.78	RT	PE	20.0	6.2				41		36	
34+75.39	RT	PE	18.0	7.0				29		27	
37+42.24	RT	PE	10.0	8.5				20		19	
39+92.73	RT	PE	12.0	15.8	21		2.4	12		31	
40+66.51	RT	PE	12.0	16.2	21		2.4	12		30	
40+96.62	RT	PE	10.0	18.4	19		2.2	11		31	
46+70.17	LT	PE	12.4	9.0		15		12			
FOREST AVENUE											
303+91.55	RT	PE	15.0	5.2				23		20	
TOTAL						71	15	8.2	555	48	613

208 East Main Street, Suite 100
Belleville, Illinois 62220
618.233.5877 phone
618.233.5977 fax
www.kaskaskiaeng.com

Kaskaskia Engineering Group, LLC

PROFESSIONAL REGISTRATIONS
Illinois Professional Design Firm
Professional Engineering Group

LICENSE NO. 184-004773
20-5080586

CONTRACT NO. 97531
SEC. NO. 05-00208-00-PV

REV.	DATE	DESCRIP.
△		
△		
△		
△		
△		

DETAILS

PROJECT TITLE:
MCCLINTOCK AVE. STREET IMPROVEMENTS
CITY OF BELLEVILLE
ST. CLAIR COUNTY, IL

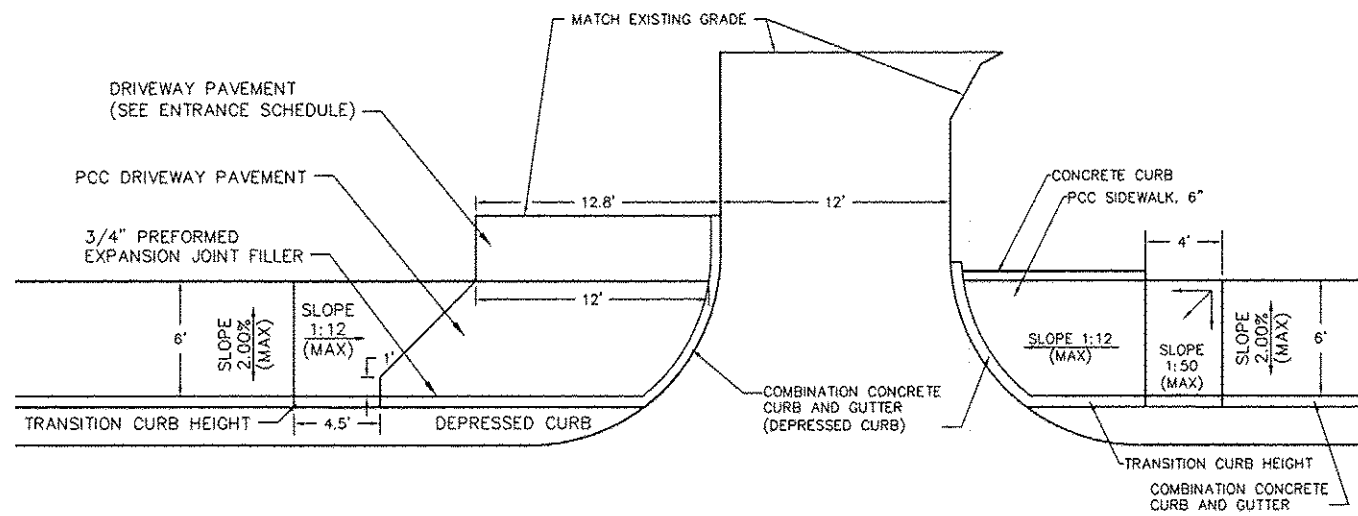
DESIGNED BY: TJR
DRAWN BY: JLT
CHECKED BY: LDC
DATE OF PRELIMINARY: 03/29/2013
DATE OF FINAL: 05/24/2013

SHEET NO. 50 OF 72 SHEETS

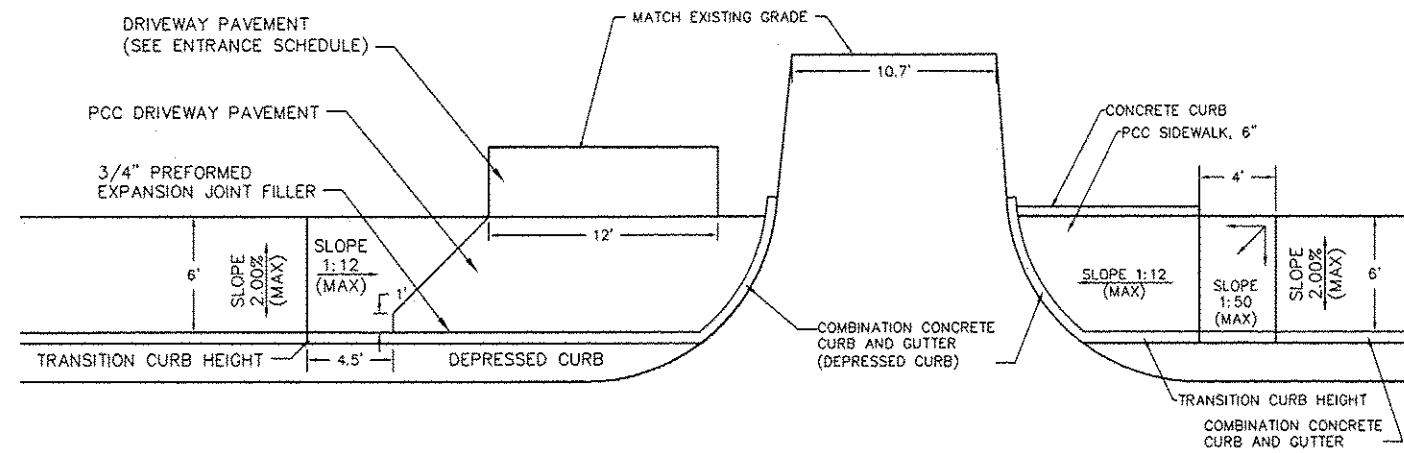
PROJECT NUMBER 111041

50

FILE: P:\11-1041_McClintock\10_CADD\CADD Sheets\11-1041_Details.dwg



DETAIL FOR ENTRANCE AT STA. 1+35.14
AND ALLEY AT STA. 1+47.92
N.T.S.



DETAIL FOR ENTRANCE AT STA. 26+81.71
AND ALLEY AT STA. 26+97.42
N.T.S.

208 East Main Street, Suite 100
Beverly, Illinois 62220
618.333.5877 Phone
618.333.5977 Fax
www.kaskasiaeng.com

Kaskasia
Engineering Group, LLC

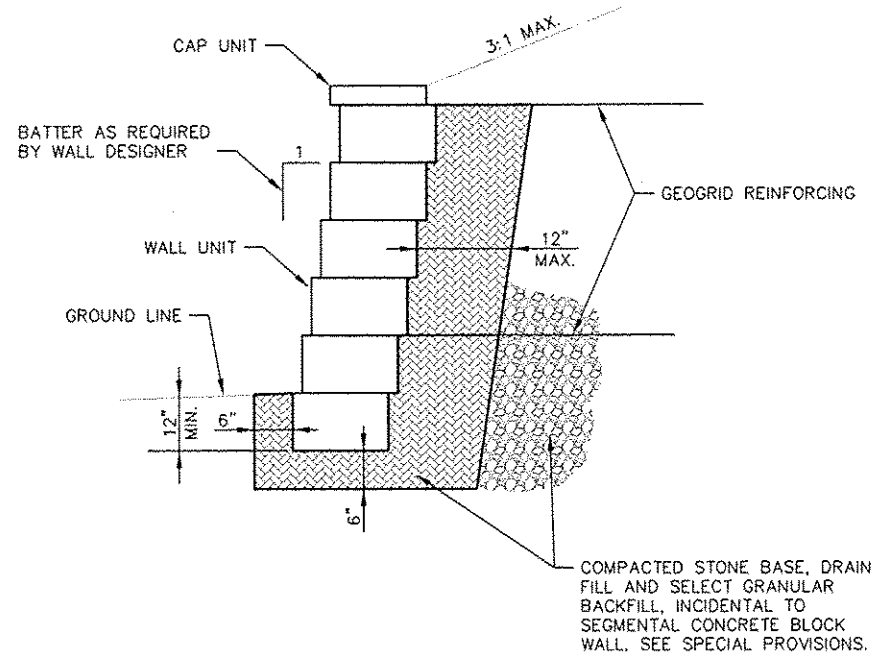
CONTRACT NO. 07531
SEC. NO. 06-00209-00-PV

REV	DATE	DESCRIP
△		
△		
△		
△		
△		

SHEET TITLE:
DETAILS

PROJECT TITLE:
**MCCLINTOCK AVE. STREET IMPROVEMENTS
CITY OF BELLEVILLE
ST. CLAIR COUNTY, IL**

DESIGNED BY:	TJR	SHEET
DRAWN BY:	JLT	51
CHECKED BY:	LDC	
DATE OF PRELIMINARY:	03/29/2013	
DATE OF FINAL:	05/24/2013	
SHEET NO. 51 OF 72 SHEETS		
PROJECT NUMBER	11-1041	

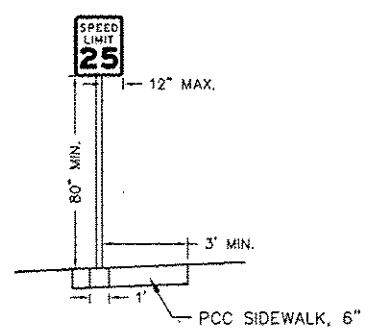


CONTRACTOR TO REMOVE EXISTING EARTH BANK AS NECESSARY TO INSTALL REINFORCING GEOGRID. CONTRACTOR TO COMPACT SOILS OVER THE GEOGRID PER MANUFACTURER'S RECOMMENDATIONS. THIS WORK SHALL BE CONSIDERED INCIDENTAL TO THE SEGMENTAL CONCRETE BLOCK WALL.

SEGMENTAL CONCRETE BLOCK WALL CONSTRUCTION DETAIL
N.T.S.

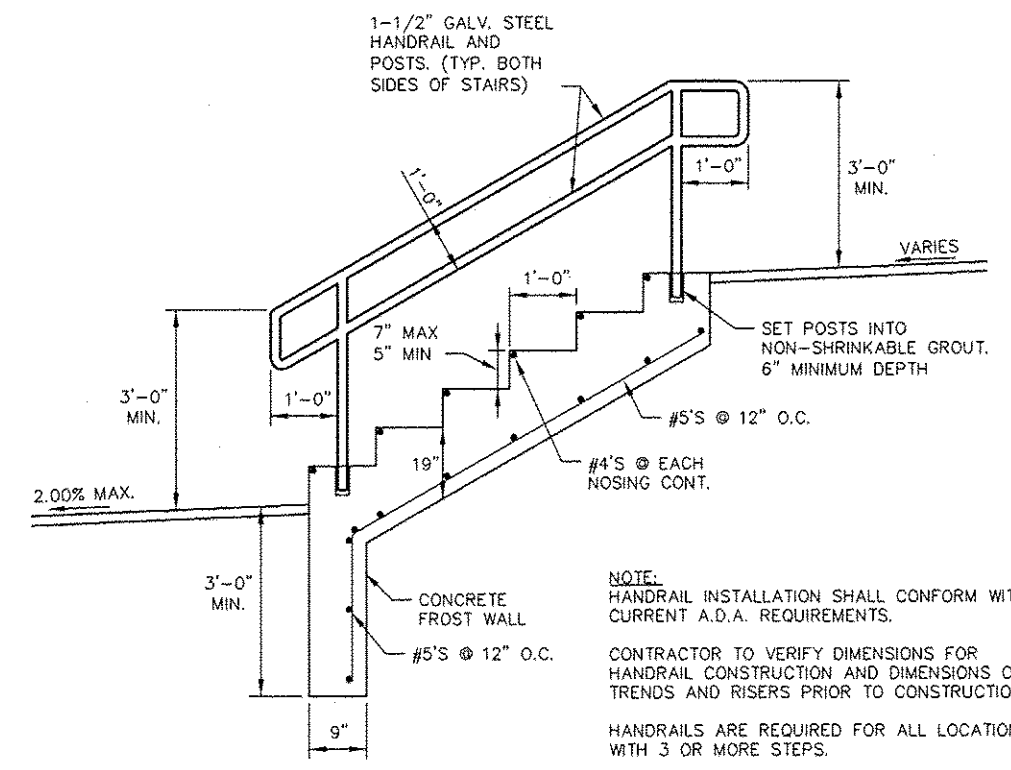
NOTES:
WHERE ROOF DRAINS INTERSECT THE PROPOSED SEGMENTAL CONCRETE BLOCK RETAINING WALL, CONTRACTOR SHALL PROVIDE AN OPENING IN THE WALL TO ALLOW THE DRAIN TO OUTLET ON THE DOWNSIDE OF THE WALL. THE OPENING SHALL NOT BE MORE THAN 6 INCHES FROM THE GROUND LINE AT THE FOOT OF THE WALL. ANY MATERIALS NEEDED TO ADJUST THE ELEVATION OF AN EXISTING ROOF DRAIN TO OUTLET THROUGH THE PROPOSED WALL WILL NOT BE PAID FOR SEPARATELY, BUT SHALL BE CONSIDERED INCIDENTAL TO THE SEGMENTAL CONCRETE BLOCK WALL.

ALL QUANTITIES SHOWN SHALL BE VERIFIED BY WALL DESIGNER. ACTUAL MEASUREMENTS AND PAYMENT SHALL BE IN ACCORDANCE WITH THE SPECIAL PROVISIONS.



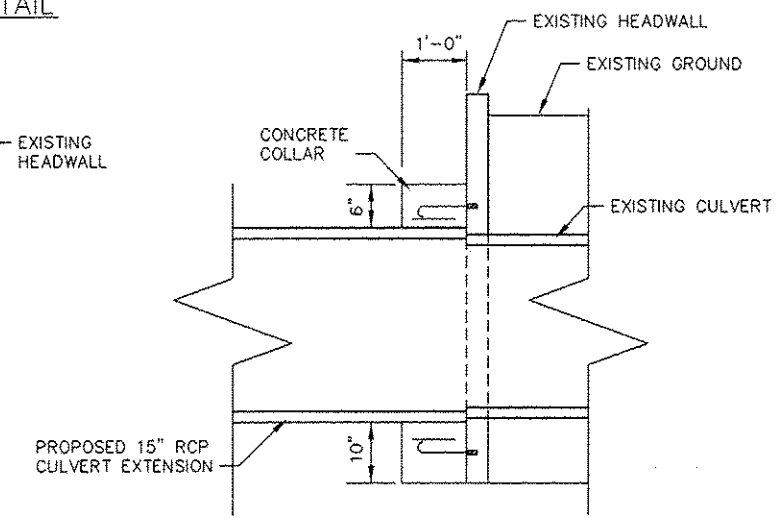
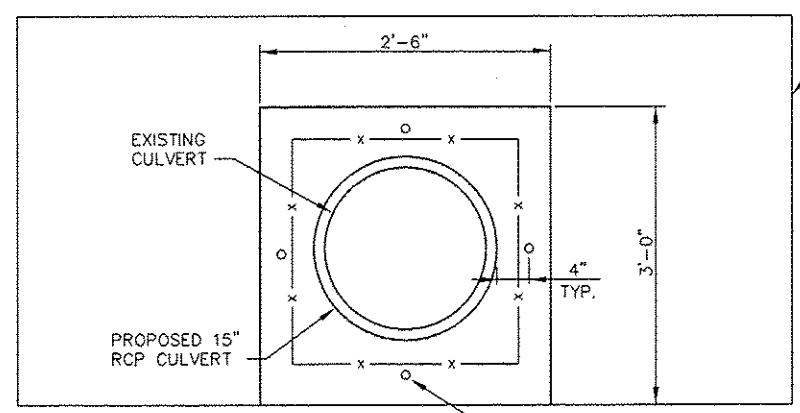
TYPICAL SIGN INSTALLATION IN SIDEWALK
N.T.S.

NOTES:
CONTRACTOR SHALL PROVIDE A 1' X 1' BLOCK OUT OR EQUIVALENT IN SIDEWALK AT SIGN POST LOCATIONS. BLOCK OUT TO MATCH ADJACENT CONSTRUCTION AFTER SIGN POST IS INSTALLED. THIS WORK SHALL BE INCIDENTAL TO THE RELATED PAY ITEMS AND NO ADDITIONAL COMPENSATION WILL BE ALLOWED.



NOTE:
HANDRAIL INSTALLATION SHALL CONFORM WITH CURRENT A.D.A. REQUIREMENTS.
CONTRACTOR TO VERIFY DIMENSIONS FOR HANDRAIL CONSTRUCTION AND DIMENSIONS OF TRENDS AND RISERS PRIOR TO CONSTRUCTION.
HANDRAILS ARE REQUIRED FOR ALL LOCATIONS WITH 3 OR MORE STEPS.

CLASS SI CONCRETE STEPS CONSTRUCTION DETAIL
N.T.S.



CONCRETE COLLAR DETAIL
N.T.S.

NOTES:
CLASS SI CONCRETE SHALL BE THROUGHOUT.

WHEN CONCRETE COLLARS ARE USED TO CONNECT CULVERTS OF DIFFERENT OUTSIDE DIMENSIONS, THE CONCRETE COLLAR SHALL BE FORMED USING THE LARGEST OUTSIDE DIMENSION.

THE WIRE MESH SHALL NOT WEIGH LESS THAN 54 POUNDS PER 100 SQ. FT.

CONCRETE COLLARS WILL BE PAID FOR AT THE CONTRACT UNIT PRICE PER CU. YD. FOR CONCRETE COLLARS, INCLUDING ALL MATERIALS AND LABOR SPECIFIED TO COMPLETE THE WORK IN PLACE.

PREPARED BY: **Kaskaskia Engineering Group, LLC**
 PROFESSIONAL REGISTRATIONS
 LICENSE NO. 184-004773
 Illinois Professional Design Firm
 Professional Engineering Group
 208 East Main Street, Suite 100
 Belleville, Illinois 62220
 618.233.5877 phone
 618.233.5977 fax
 www.kaskaskiang.com

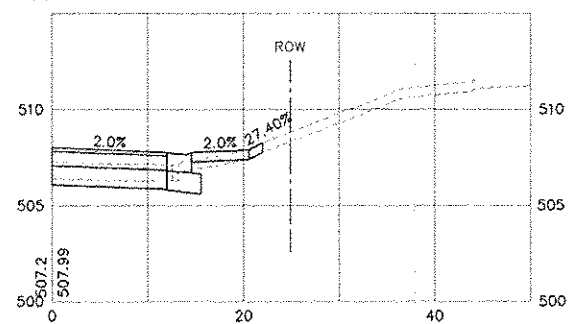
CONTRACT NO. 97531
SEC. NO. 05-00209-00-PV

REV.	DATE	DESCRIP
△		
△		
△		
△		
△		

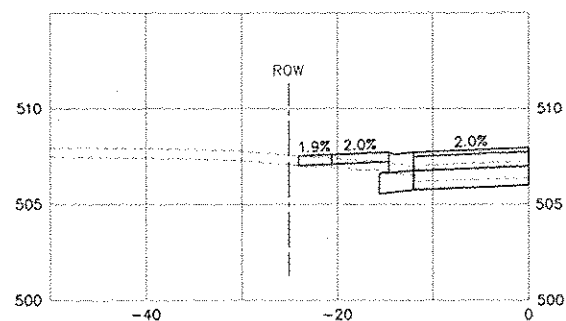
DETAILS
 PROJECT TITLE:
**MCCLINTOCK AVE. STREET IMPROVEMENTS
 CITY OF BELLEVILLE
 ST. CLAIR COUNTY, IL**

DESIGNED BY: TIR	SHEET 52
DRAWN BY: JLT	
CHECKED BY: LDC	
DATE OF PRELIMINARY: 03/29/2013	
DATE OF FINAL: 05/24/2013	
SHEET NO. 52 OF 72 SHEETS	
PROJECT NUMBER 111041	

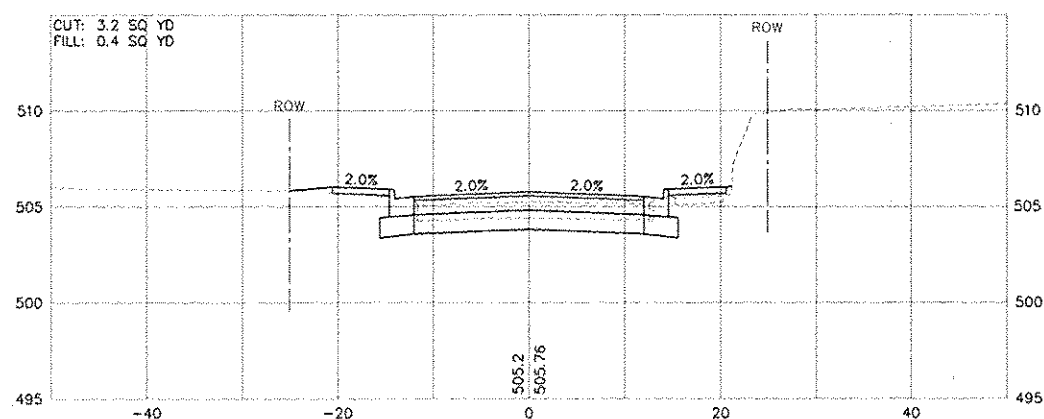
1+36.01
P.E. RT.



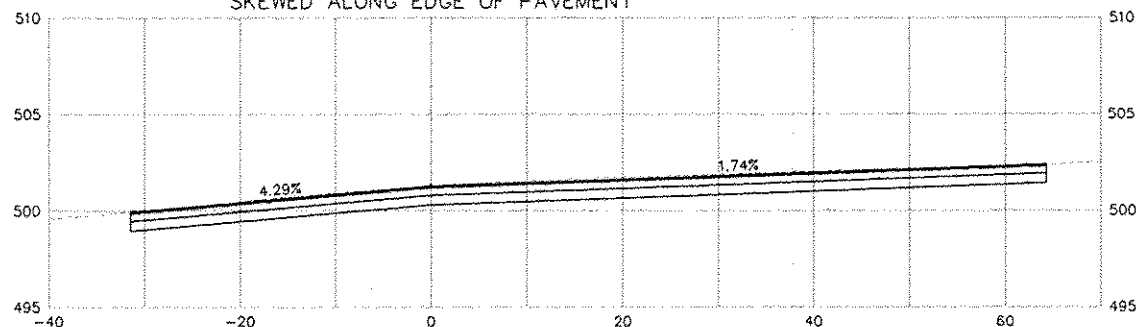
1+35.14
C.E. LT.



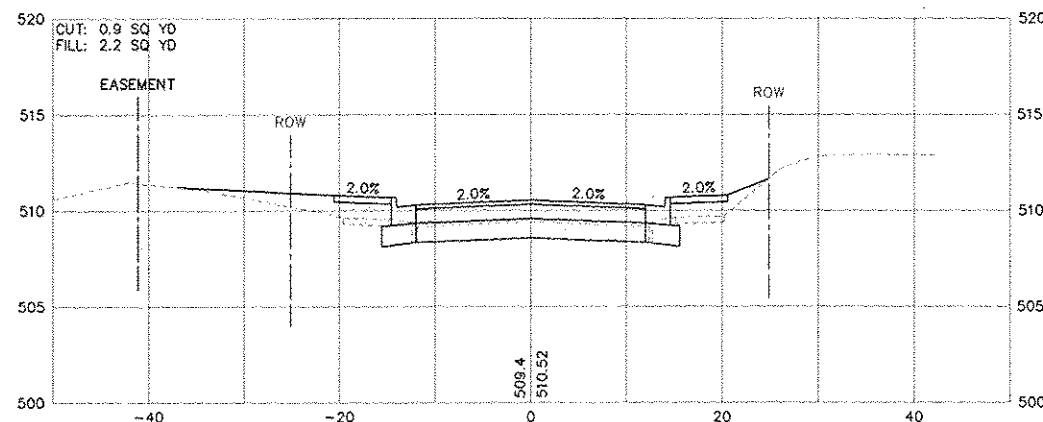
1+00



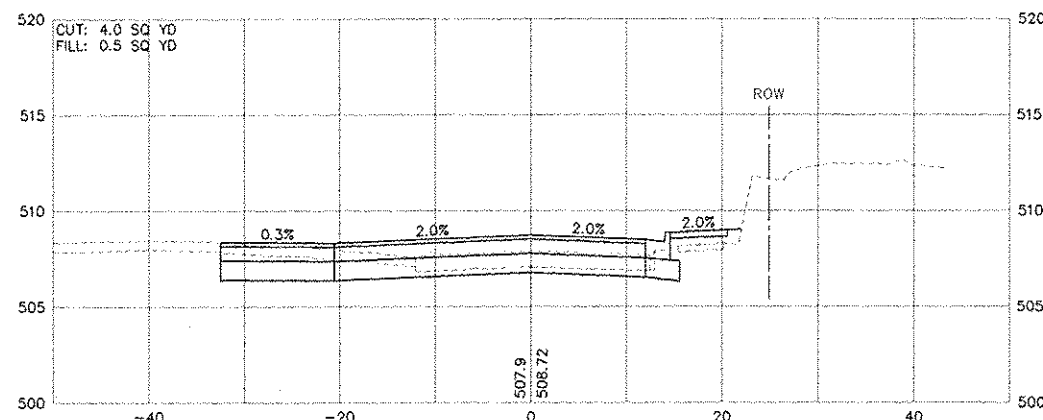
0+29.35
SKEWED ALONG EDGE OF PAVEMENT



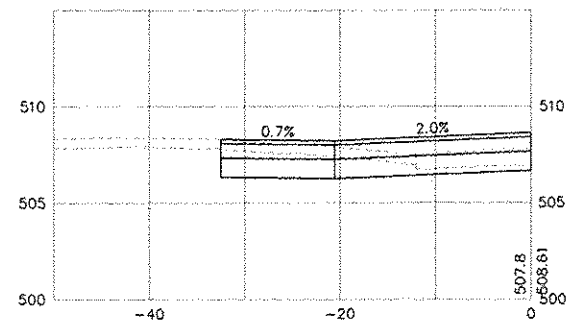
2+00



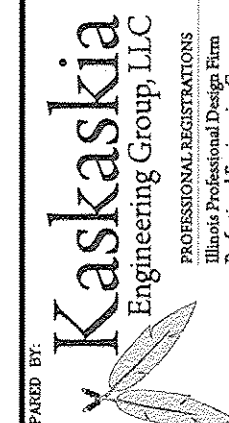
1+50



1+47.92
ALLEY LT.



PREPARED BY:



SEAL

Signature: _____
Expiration Date: (00/00/20XX)

REV.	DATE	DESCRIP
△		
△		

CROSS SECTIONS

SHEET TITLE:

PROJECT TITLE:
MCCLINTOCK AVE. STREET IMPROVEMENTS
CITY OF BELLEVILLE
ST. CLAIR COUNTY, IL

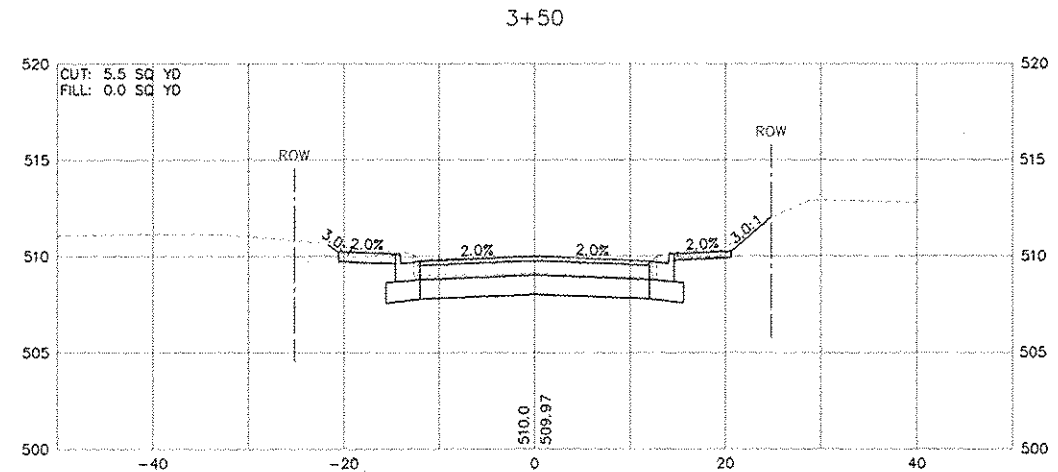
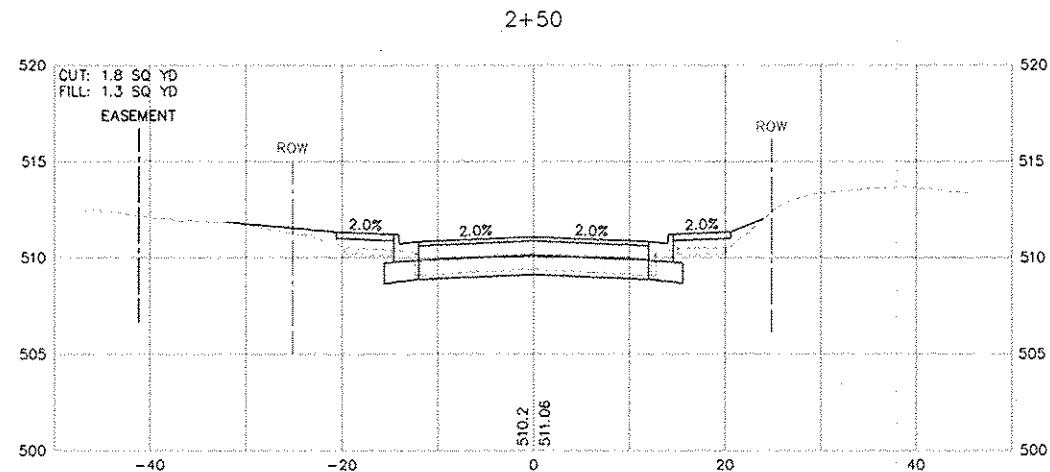
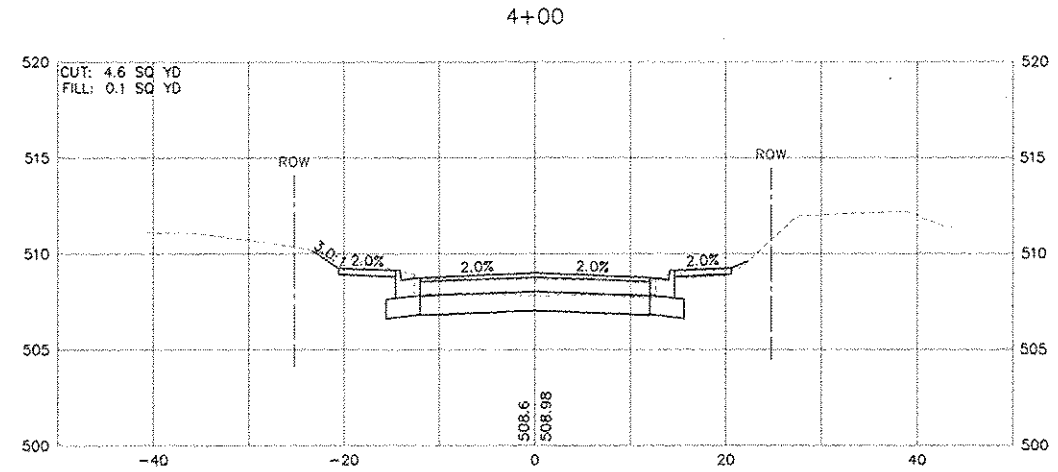
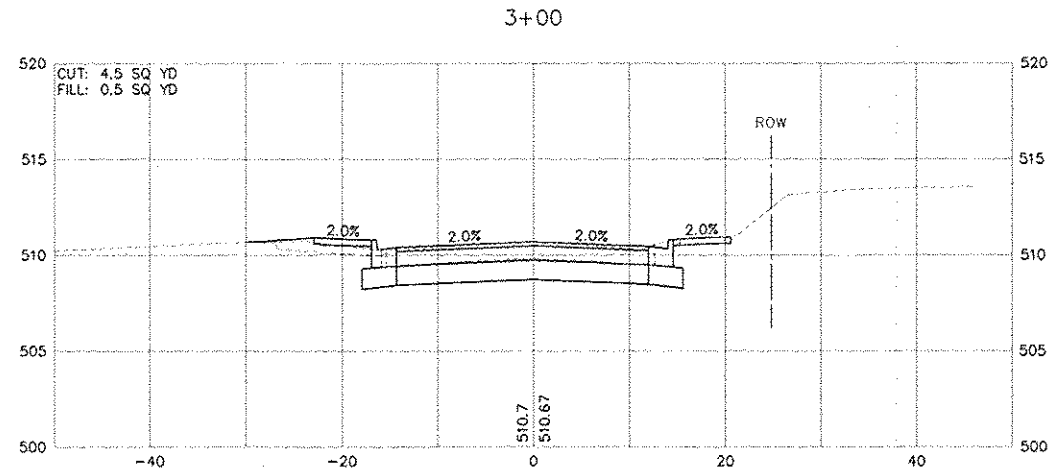
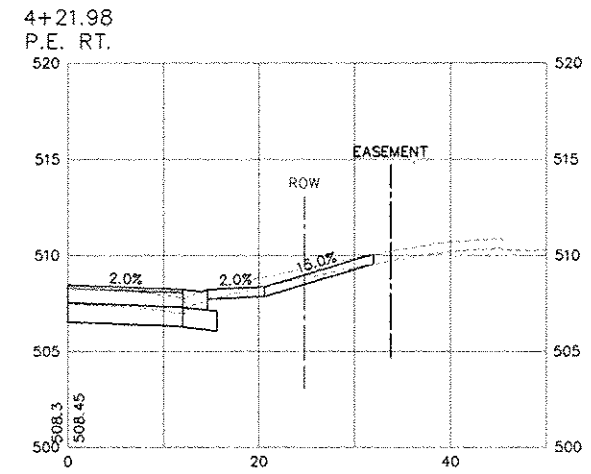
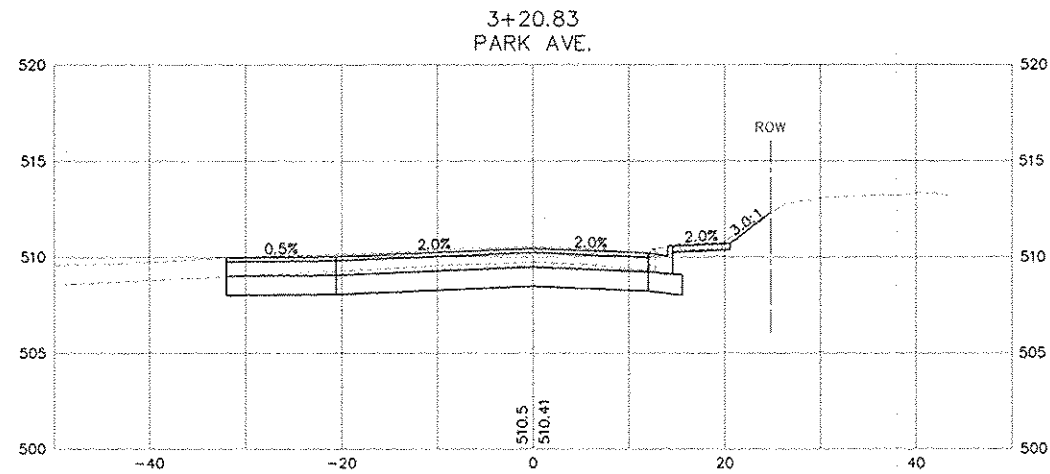
DESIGNED BY: TJR	SHEET
DRAWN BY: JLT	53
CHECKED BY: LDC	
DATE OF PRELIMINARY: 03/29/2013	
DATE OF FINAL: 05/24/2013	
SHEET NO. 51 OF 77 SHEETS	
PROJECT NUMBER 11-1041	

208 East Main Street, Suite 100
Belleville, Illinois 62220
618.233.5877 phone
618.233.5977 fax
www.kaskaskiaeng.com

LICENSE NO. 184-004773
Illinois Professional Design Firm
Professional Engineering Group 20-5080586

FILE: P:\11-1041\McClintock\10_CAD\CADD Sheets\11-1041_XS.dwg

LAST PLOTTED: 5/24/2013 10:45 AM OPERATOR: JLT



208 East Main Street, Suite 100
Belleville, Illinois 62220
618.233.5877 phone
618.233.5977 fax
www.kaskadiaeng.com

Kaskadia
Engineering Group, LLC

PROFESSIONAL REGISTRATIONS
Illinois Professional Design Firm
Professional Engineering Group

LICENSE NO. 184-004773
20-5080586

PREPARED BY:

SEAL

Signature: _____
Expiration Date: 08/00/20XX

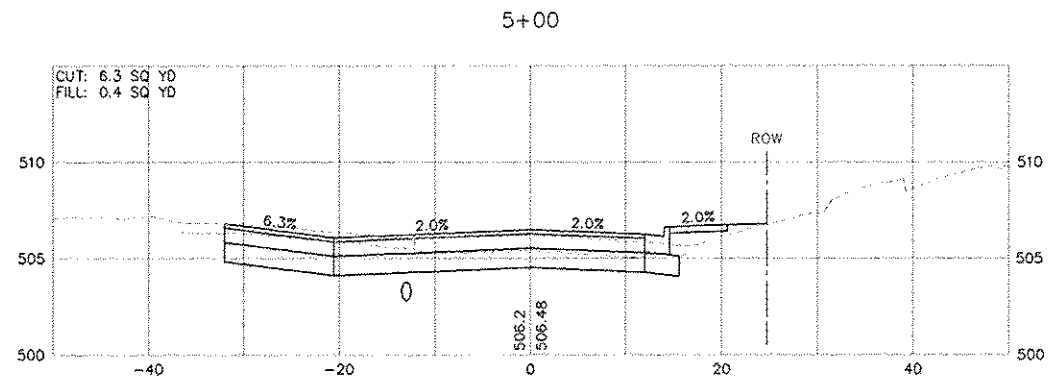
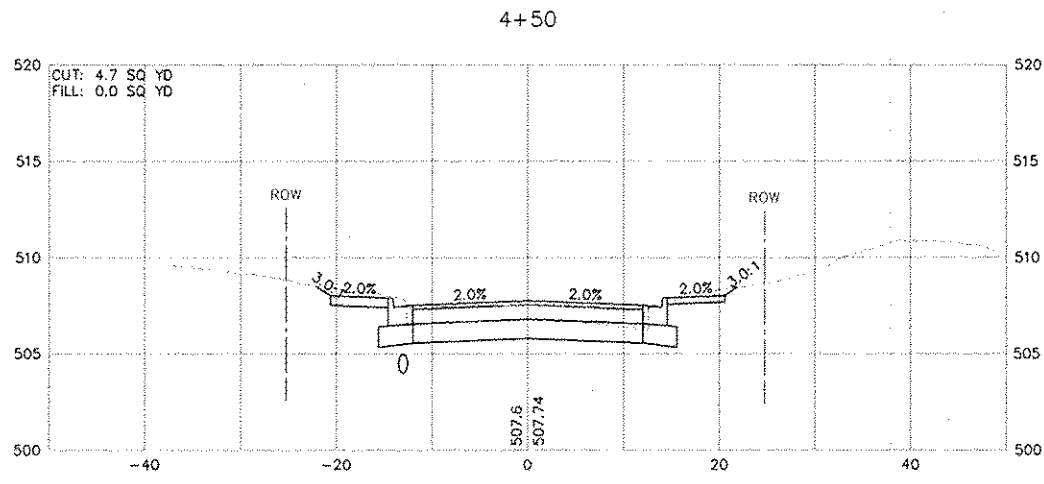
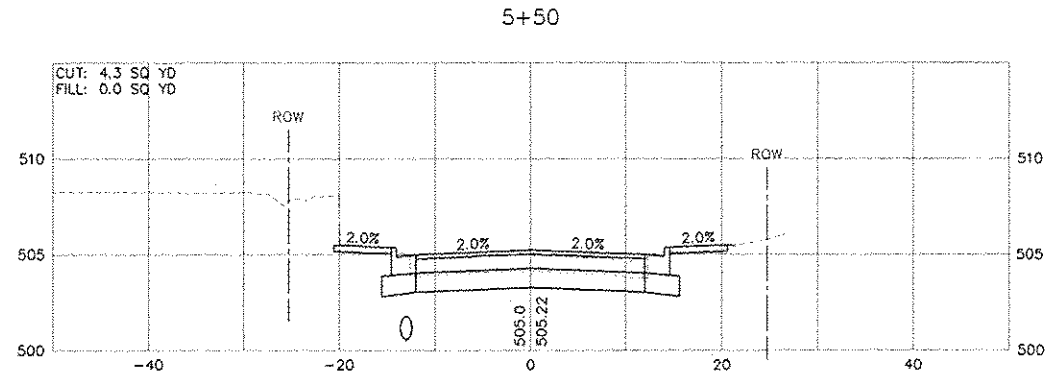
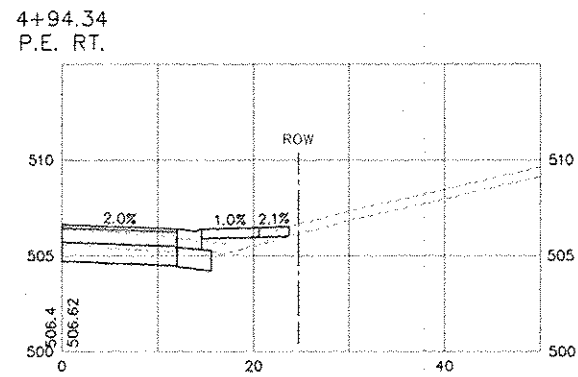
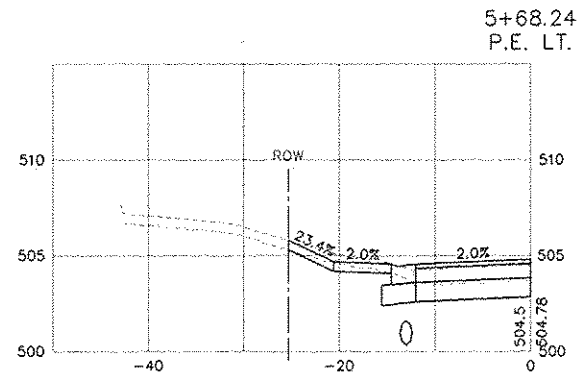
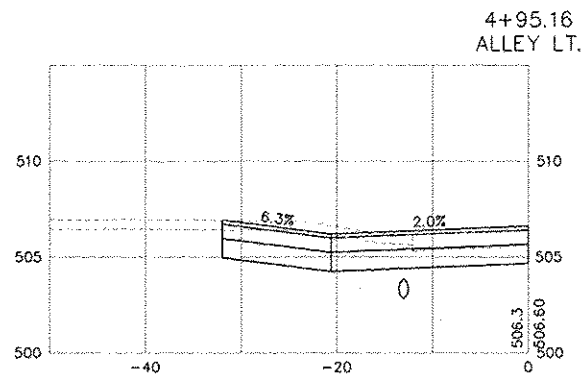
REV.	DATE	DESCRIP
△		
△		

CROSS SECTIONS

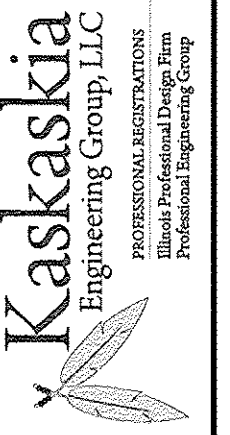
SHEET TITLE:
PROJECT TITLE:
MCCLINTOCK AVE. STREET IMPROVEMENTS
CITY OF BELLEVILLE
ST. CLAIR COUNTY, IL

DESIGNED BY: TJR	SHEET
DRAWN BY: JLT	54
CHECKED BY: LDC	
DATE OF PRELIMINARY: 03/29/2013	
DATE OF FINAL: 05/24/2013	
SHEET NO. 54 OF 72 SHEETS	
PROJECT NUMBER 11-1041	

FILE: P:\11-1041 McClinton\10-240\000 Sheets\11-1041_25.dwg



208 East Main Street, Suite 100
Belleville, Illinois 62220
618.233.5877 phone
618.233.5877 fax
www.kaskasia.com



PREPARED BY:

PROFESSIONAL REGISTRATIONS
ILLINOIS PROFESSIONAL DESIGN FIRM
PROFESSIONAL ENGINEERING GROUP

LICENSE NO. 184-004773
20-5080586

CONTRACT NO. 97531
SEC. NO. 05-00209-00-PV

REV.	DATE	DESCRIP
△		
△		
△		
△		
△		

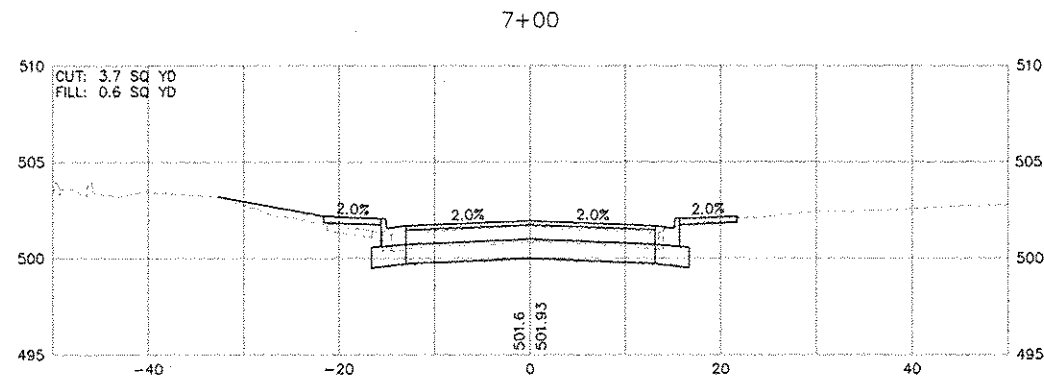
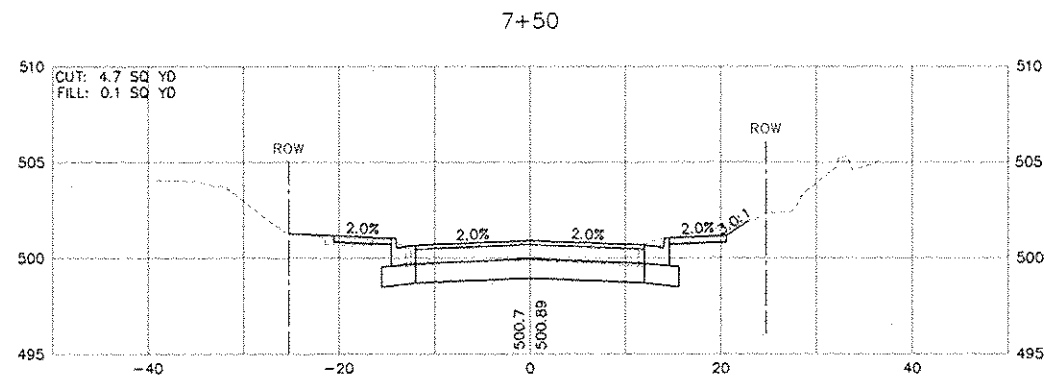
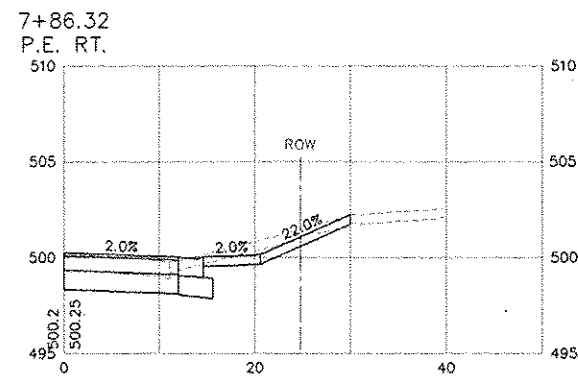
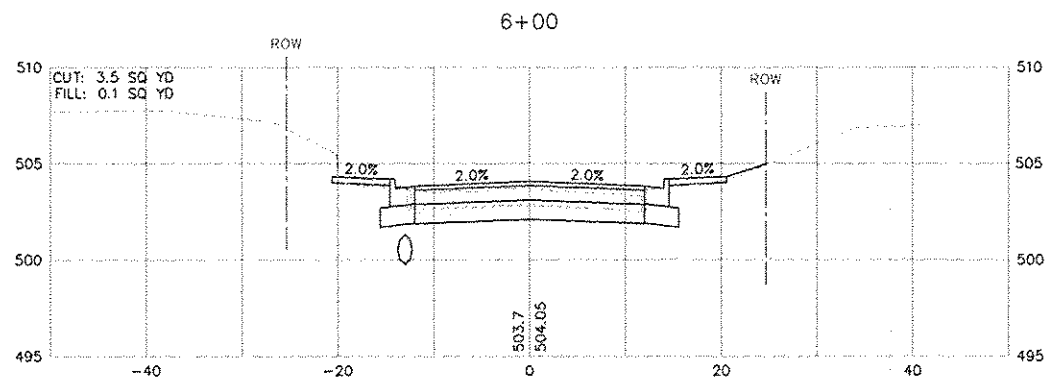
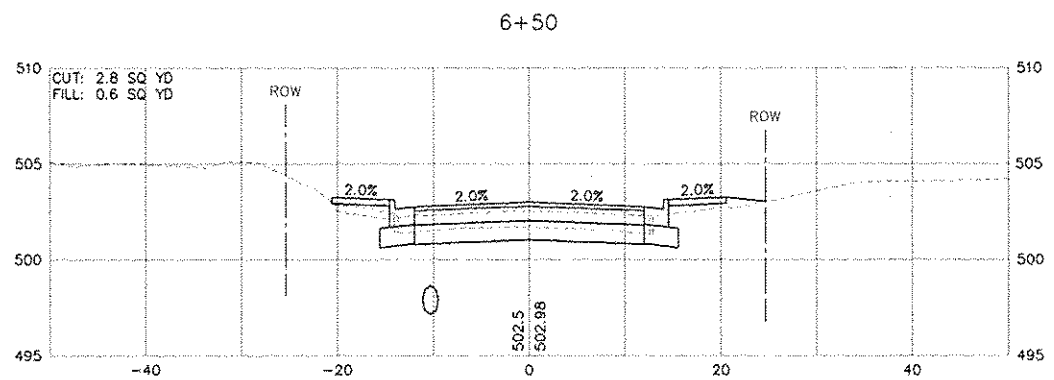
SHEET TITLE:
CROSS SECTIONS

PROJECT TITLE:
**MCCLINTOCK AVE. STREET IMPROVEMENTS
CITY OF BELLEVILLE
ST. CLAIR COUNTY, IL**

DESIGNED BY: TJR	SHEET
DRAWN BY: JLT	55
CHECKED BY: LDC	
DATE OF PRELIMINARY: 03/29/2013	
DATE OF FINAL: 05/24/2013	
SHEET NO. 55 OF 72 SHEETS	
PROJECT NUMBER 11-1041	

FILE: P:\11-1041_McClintock\10_CAD\CAD Sheets\11-1041_CS.dwg

FILE: P:\11-1041 McClinton\10_CAD\CADD Sheets\11-1041_05.dwg



208 East Main Street, Suite 100
Belleville, Illinois 62220
618.233.5877 phone
618.233.5977 fax
www.kaskaskia.com

Kaskaskia
Engineering Group, LLC

PROFESSIONAL REGISTRATIONS
Illinois Professional Design Firm
Professional Engineering Group

LICENSE NO. 194-004773
20-5080586

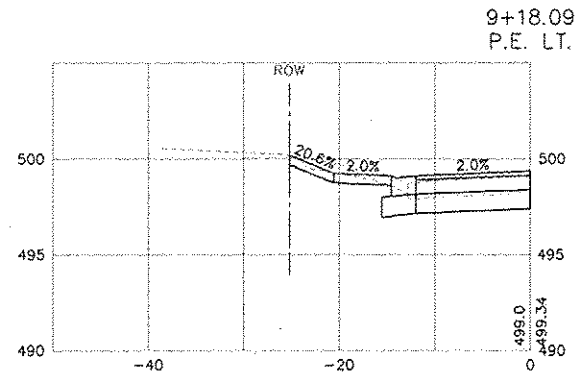
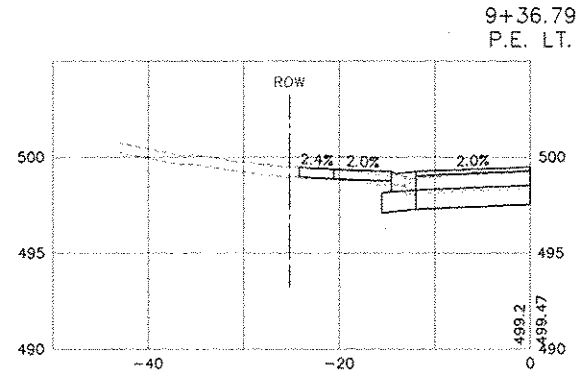
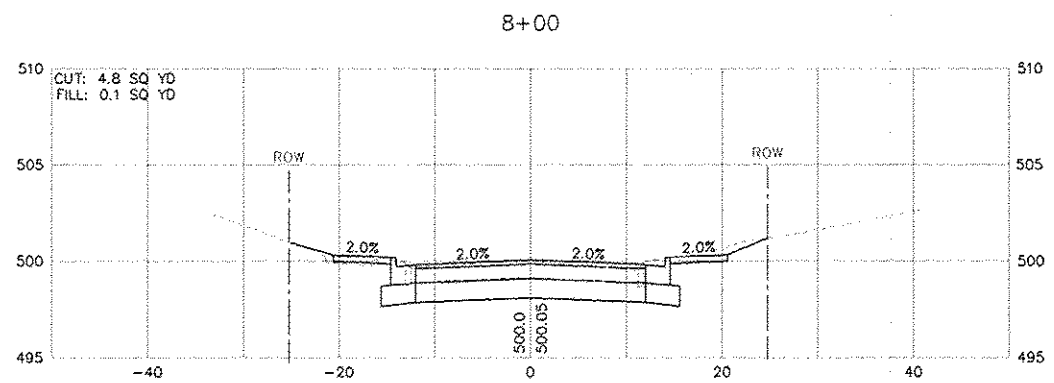
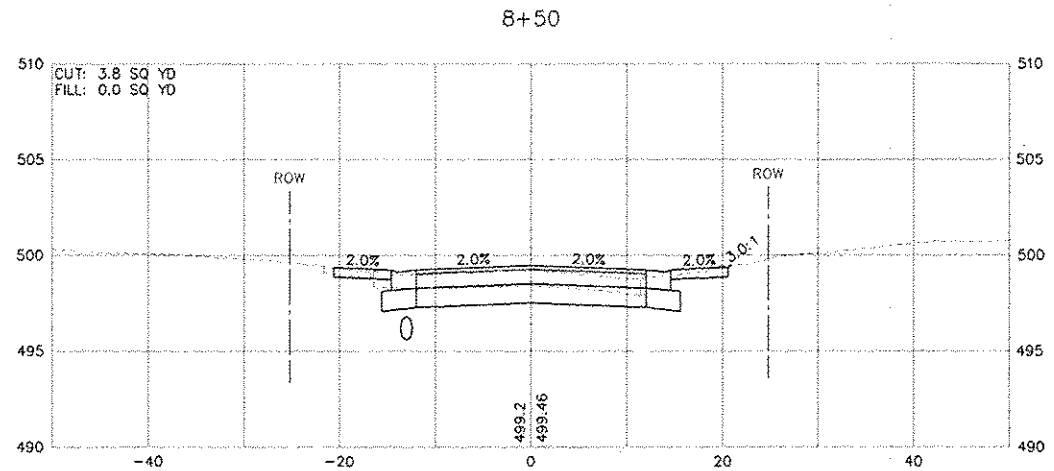
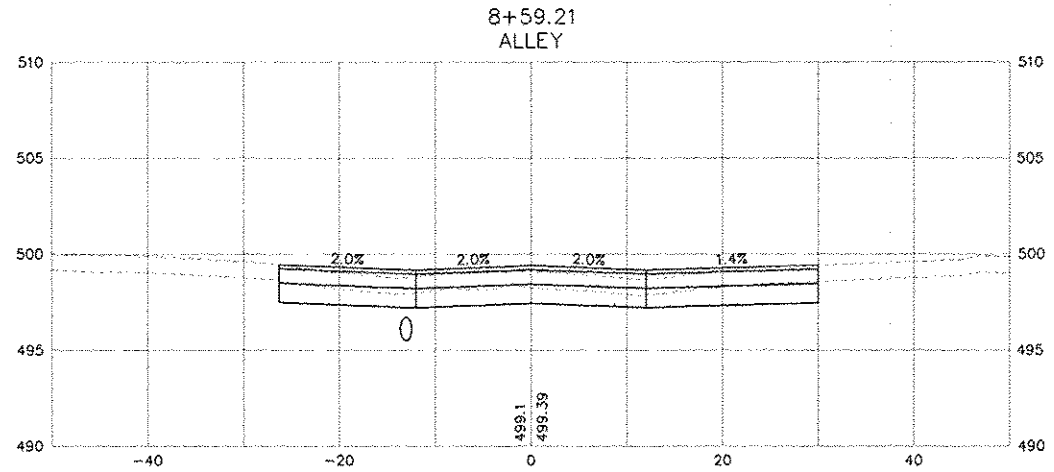
CONTRACT NO. 97531
SEC. NO. 05-00209-00-PV

REV.	DATE	DESCRIP
△		
△		
△		
△		
△		

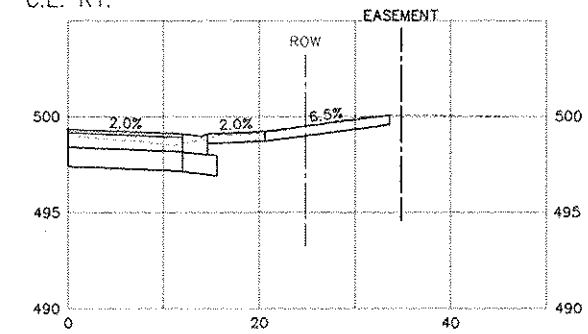
CROSS SECTIONS

SHEET TITLE:
PROJECT TITLE:
MCCLINTOCK AVE. STREET IMPROVEMENTS
CITY OF BELLEVILLE
ST. CLAIR COUNTY, IL

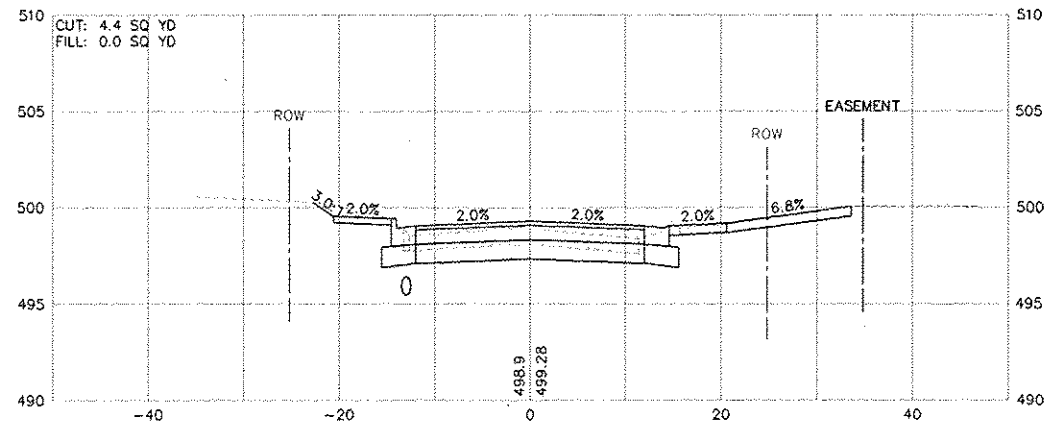
DESIGNED BY: TJR	SHEET
DRAWN BY: JLT	56
CHECKED BY: LDC	
DATE OF PRELIMINARY: 03/29/2013	
DATE OF FINAL: 05/24/2013	
SHEET NO. 56 OF 72 SHEETS	
PROJECT NUMBER 11-1041	



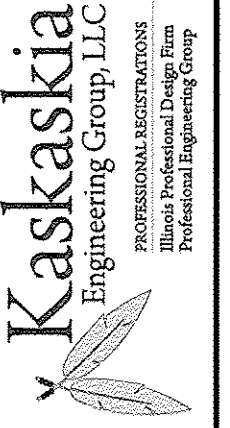
9+13.24
C.E. RT.



9+00



208 East Main Street, Suite 100
Belleville, Illinois 62220
618.233.5877 Phone
618.233.5977 Fax
www.kaskaskiaeng.com



PREPARED BY:

CONTRACT NO. 97531
SEC. NO. 05-00209-00-PV

REV.	DATE	DESCRIP.
△		
△		
△		
△		
△		

CROSS SECTIONS

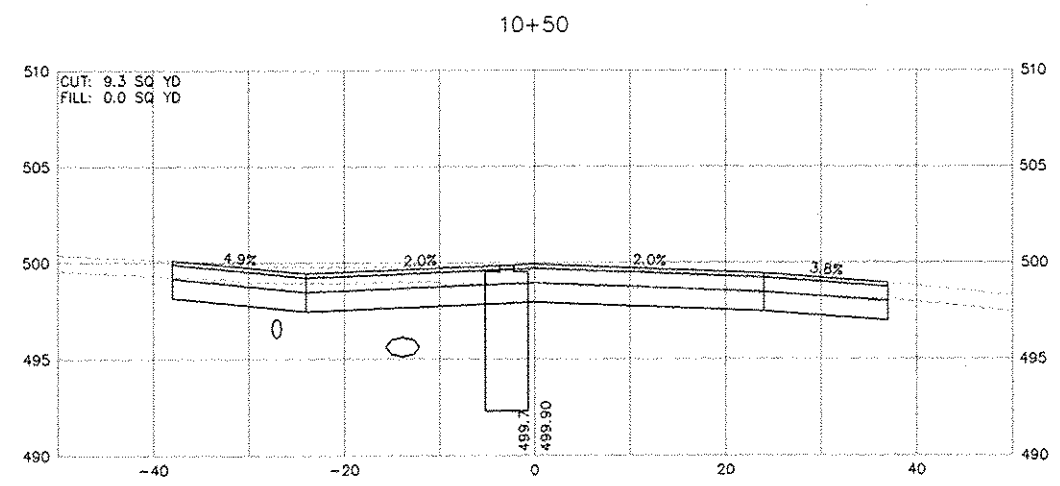
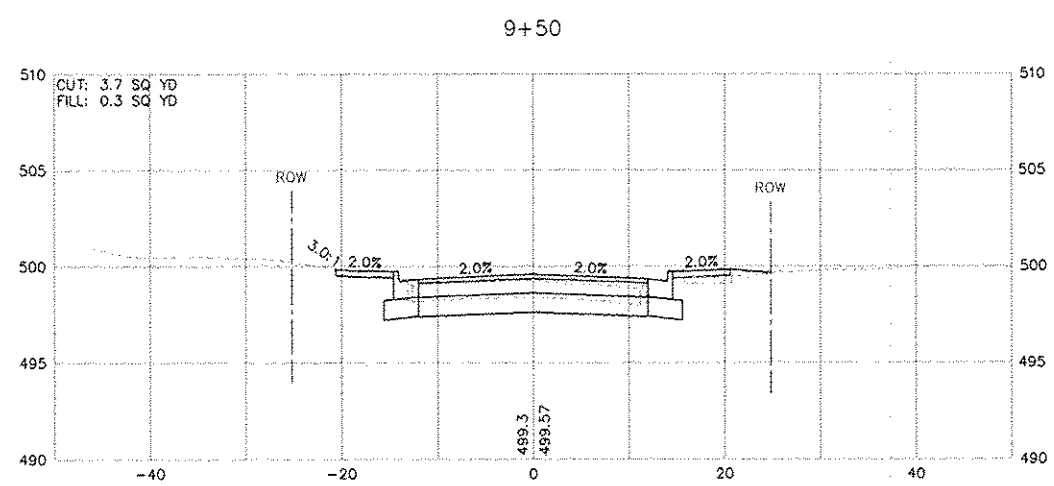
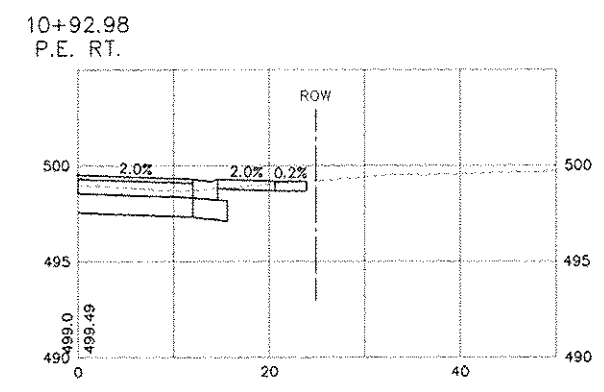
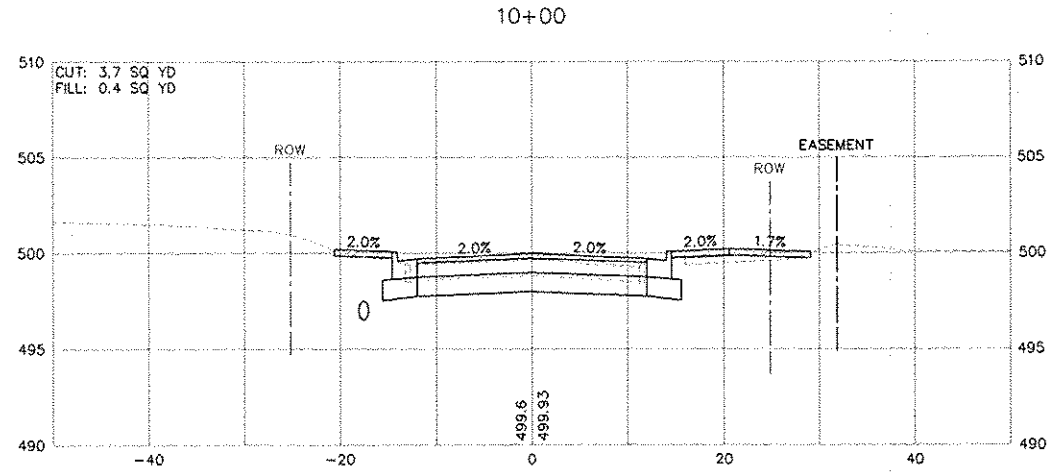
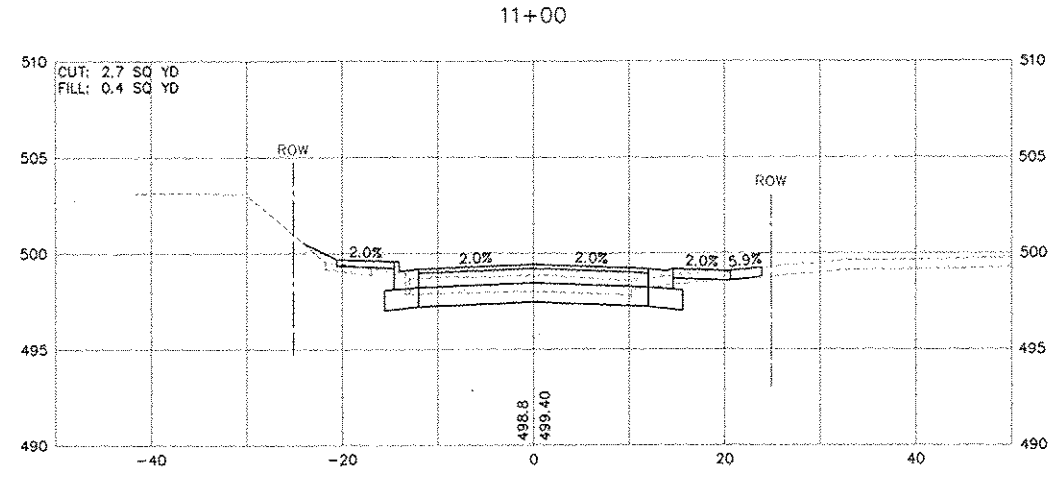
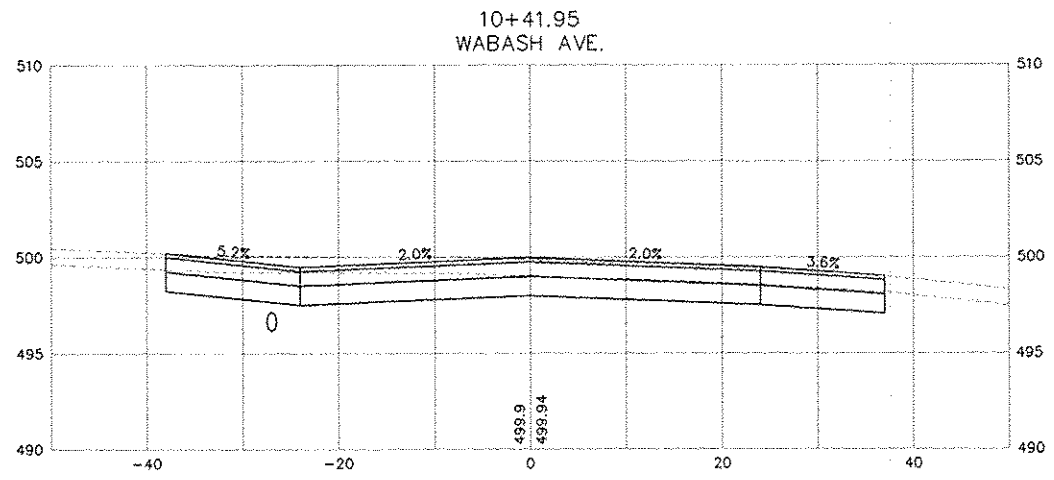
SHEET TITLE:

MCCLINTOCK AVE. STREET IMPROVEMENTS
CITY OF BELLEVILLE
ST. CLAIR COUNTY, IL

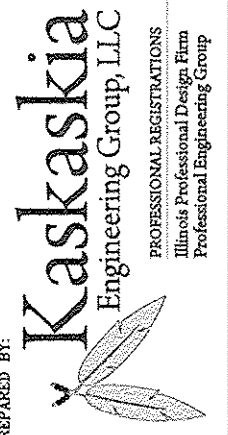
DESIGNED BY: TJR	SHEET
DRAWN BY: JLT	57
CHECKED BY: LDC	
DATE OF PRELIMINARY: 03/29/2013	
DATE OF FINAL: 05/24/2013	
SHEET NO. 57 OF 72 SHEETS	
PROJECT NUMBER: 11-1041	

FILE: F:\11-1041_McClintock\10_CAD\CADD Sheets\11-1041_CS.dwg

LAST PLOTTED: 5/24/2013 10:47 AM OPERATOR: JLT



208 East Main Street, Suite 100
Belleville, Illinois 62220
618.233.5877 phone
618.233.5977 fax
www.kaskaskiaeng.com



PREPARED BY:

PROFESSIONAL REGISTRATIONS
Illinois Professional Design Firm
Professional Engineering Group

CONTRACT NO. 87531
SEC. NO. 05-00209-00-PV

REV.	DATE	DESCRIP.
△		
△		
△		
△		
△		

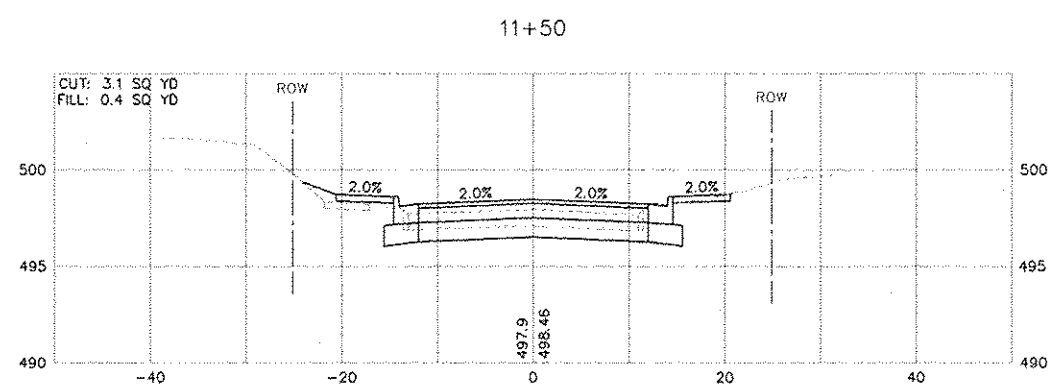
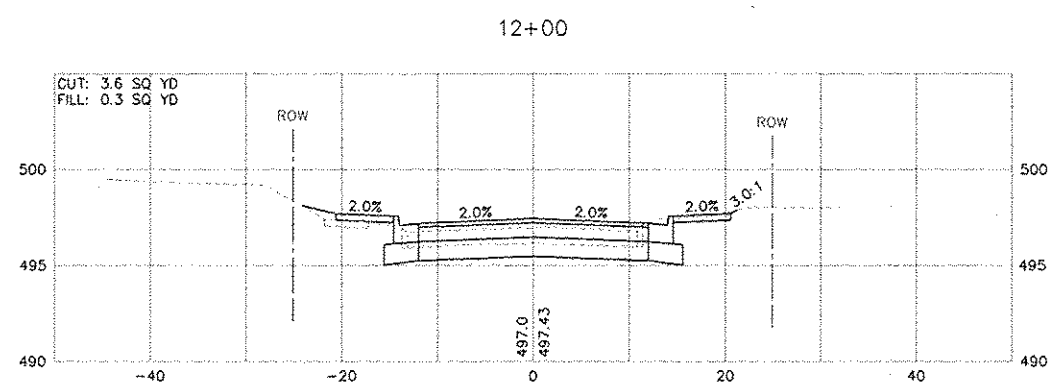
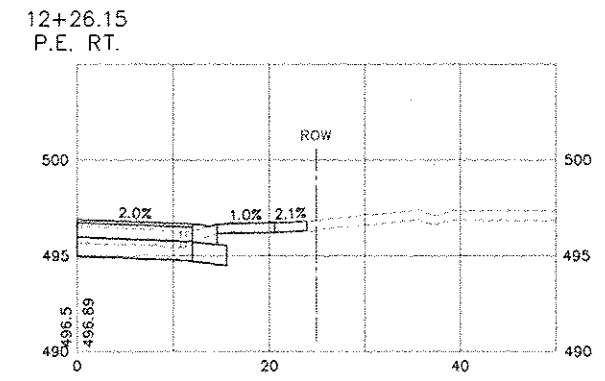
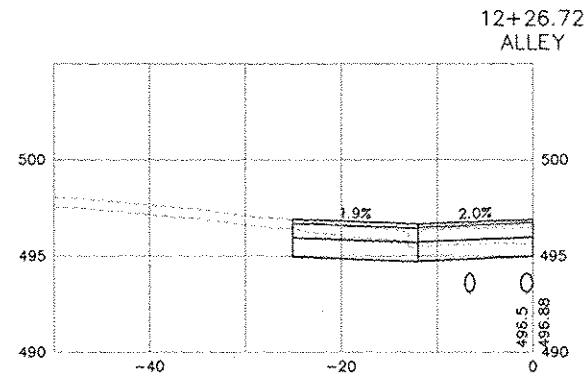
CROSS SECTIONS

PROJECT TITLE:
MCCLINTOCK AVE. STREET IMPROVEMENTS
CITY OF BELLEVILLE
ST. CLAIR COUNTY, IL

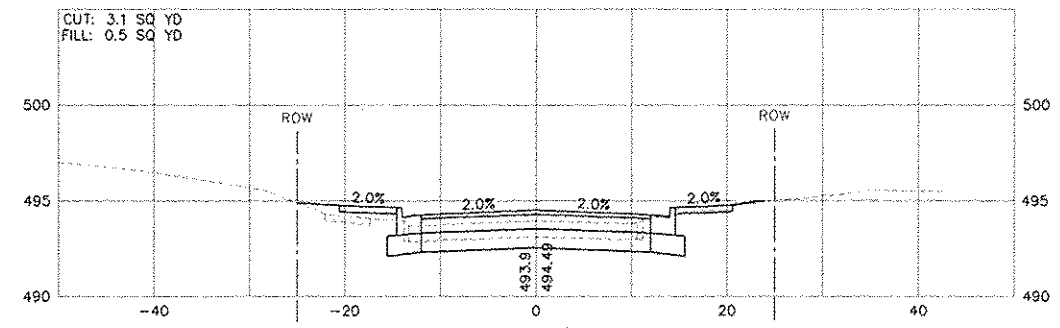
SHEET TITLE:

DESIGNED BY: TJR	SHEET
DRAWN BY: JLT	58
CHECKED BY: LDC	
DATE OF PRELIMINARY: 03/29/2013	
DATE OF FINAL: 05/24/2013	
SHEET NO. 58 OF 73 SHEETS	
PROJECT NUMBER 11.1041	

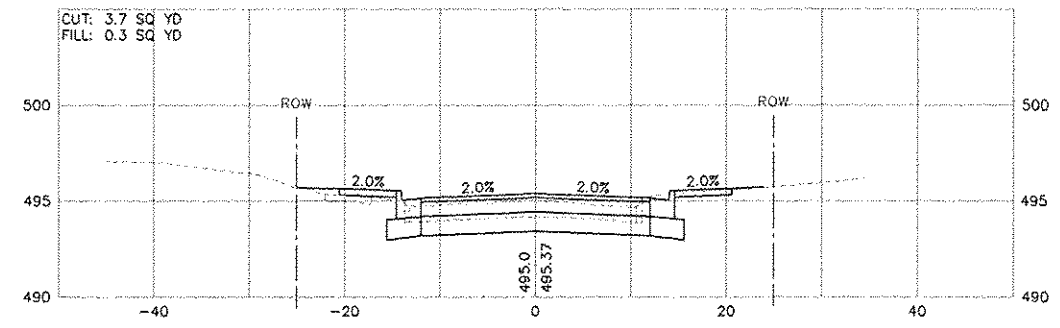
FILE: P:\11-1041_McClintock\10_CAD\CADD Sheets\11-1041_CS.dwg



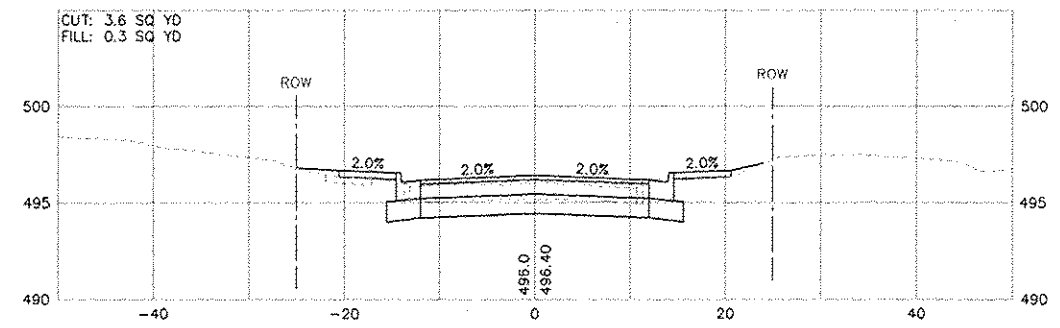
13+50



13+00

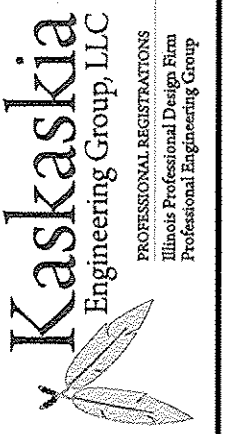


12+50



208 East Main Street, Suite 100
Belleville, Illinois 62220
618.233.5977 phone
618.233.5977 fax
www.kaskaskiaeng.com

LICENSE NO.
184-004773
20-5080586



CONTRACT NO. 07631
SEC. NO. 05-00209-00-PV

REV.	DATE	DESCRIP.
△		
△		
△		
△		
△		

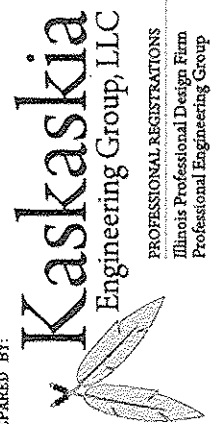
CROSS SECTIONS

PROJECT TITLE:
MCCLINTOCK AVE. STREET IMPROVEMENTS
CITY OF BELLEVILLE
ST. CLAIR COUNTY, IL

DESIGNED BY: TJR	SHEET
DRAWN BY: JLT	
CHECKED BY: LDC	59
DATE OF PRELIMINARY: 03/29/2013	
DATE OF FINAL: 05/24/2013	
SHEET NO. 59 OF 72 SHEETS	
PROJECT NUMBER 11-1041	

FILE: P:\11-1041_McClintock\10_CAD\CADD Sheets\11-1041_25.dwg

208 East Main Street, Suite 100
 Belleville, Illinois 62220
 618.233.5877 phone
 618.233.5977 fax
 www.kaskaskiaeng.com



PREPARED BY:

PROFESSIONAL REGISTRATIONS
 Illinois Professional Design Firm
 Professional Engineering Group

CONTRACT NO. 97531
 SEC. NO. 05-00209-00-PV

REV.	DATE	DESCRIP
△		
△		
△		
△		
△		

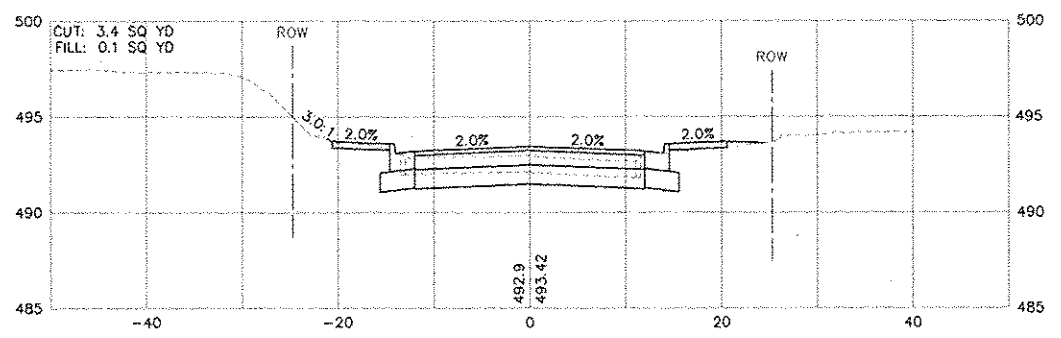
CROSS SECTIONS

PROJECT TITLE:
 MCCLINTOCK AVE. STREET IMPROVEMENTS
 CITY OF BELLEVILLE
 ST. CLAIR COUNTY, IL

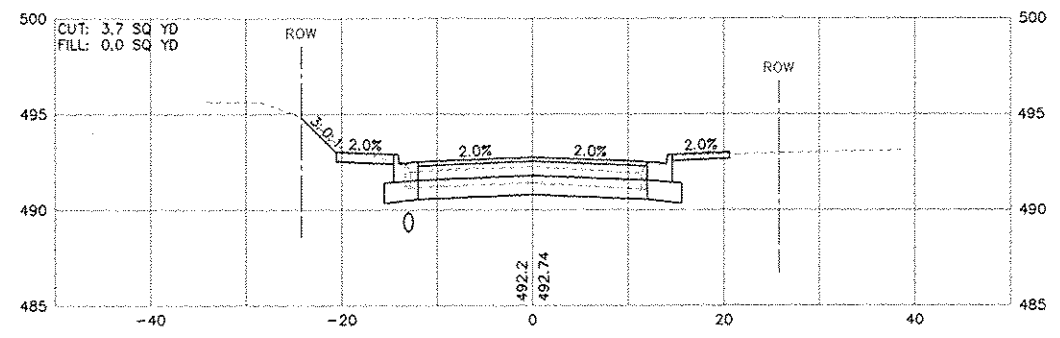
SHEET TITLE:

DESIGNED BY: TJR	SHEET
DRAWN BY: JLT	60
CHECKED BY: LDC	
DATE OF PRELIMINARY: 03/29/2013	
DATE OF FINAL: 05/24/2013	
SHEET NO. 60 OF 72 SHEETS	
PROJECT NUMBER 11-1041	

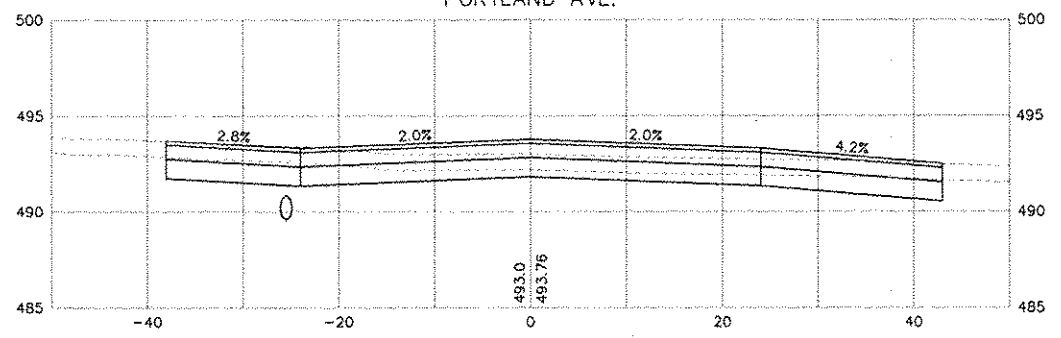
14+50



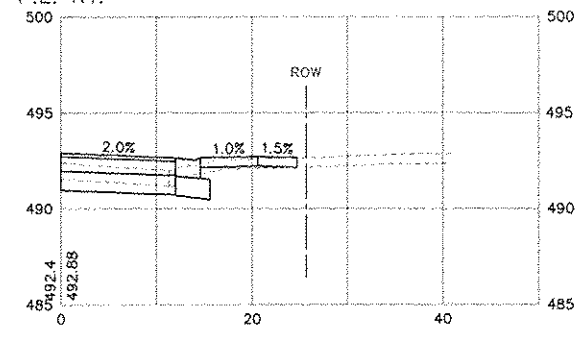
15+50



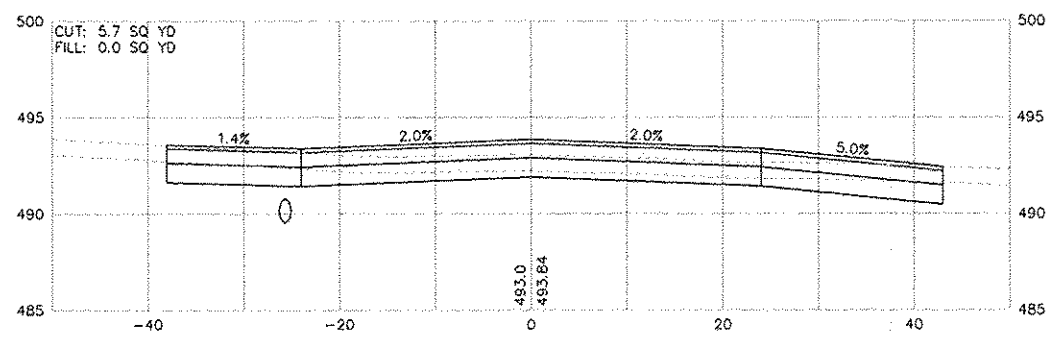
14+07.78
 PORTLAND AVE.



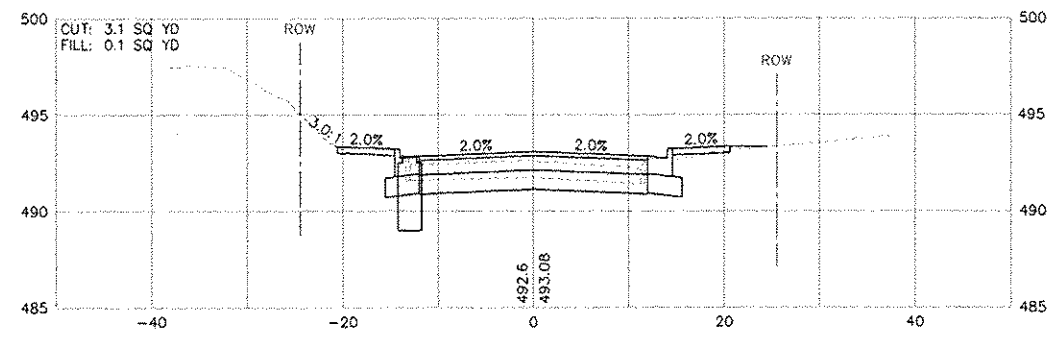
15+29.11
 P.E. RT.



14+00

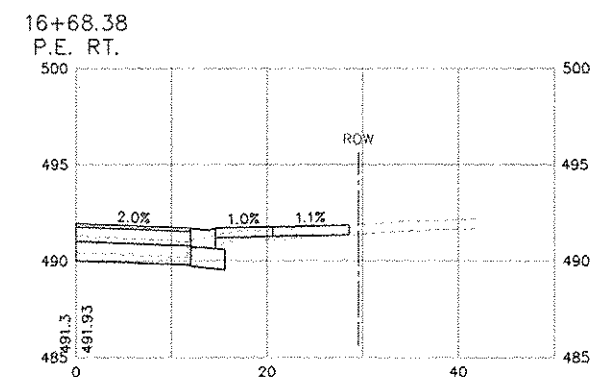
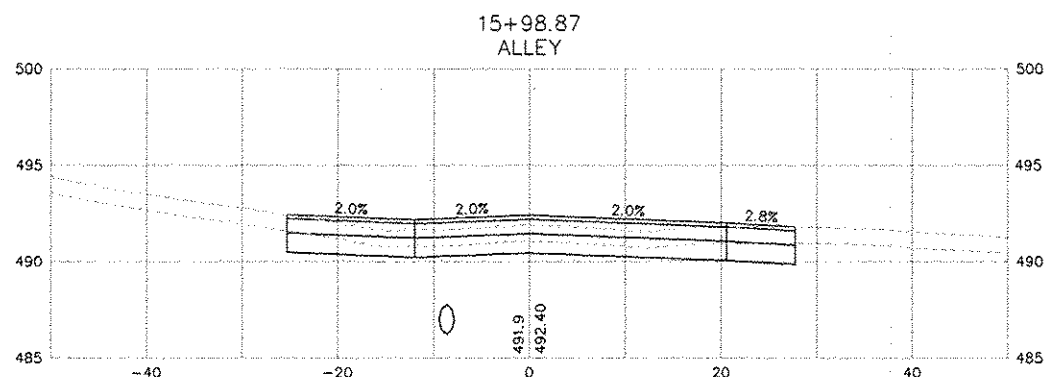
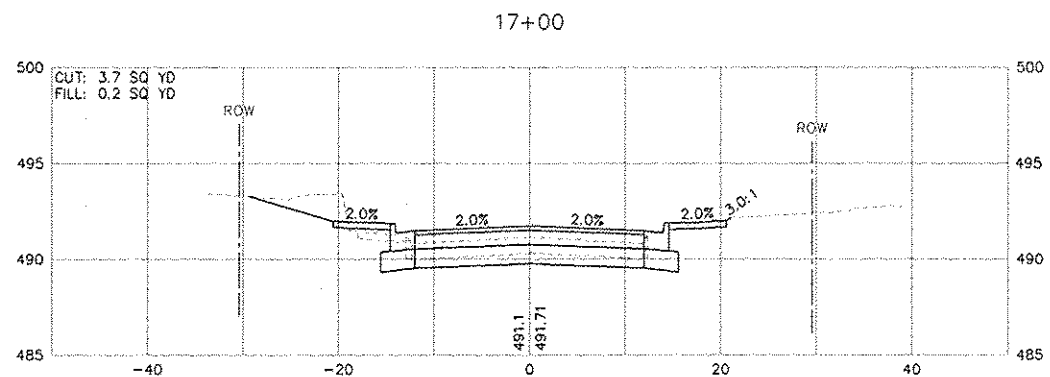
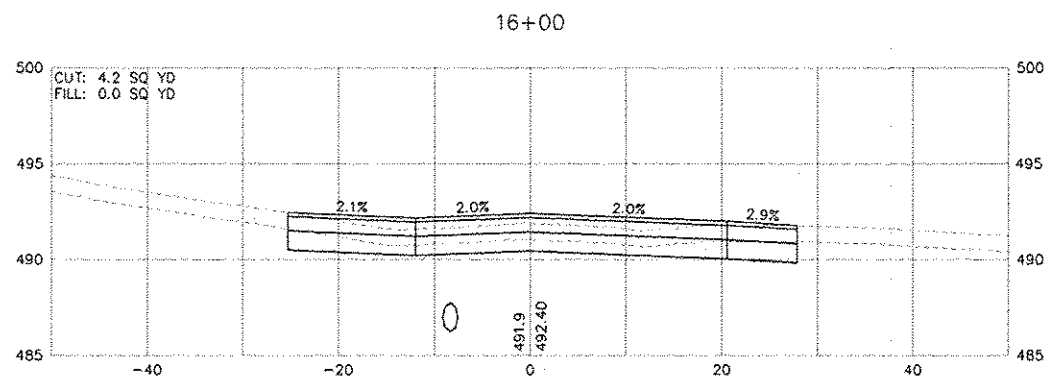
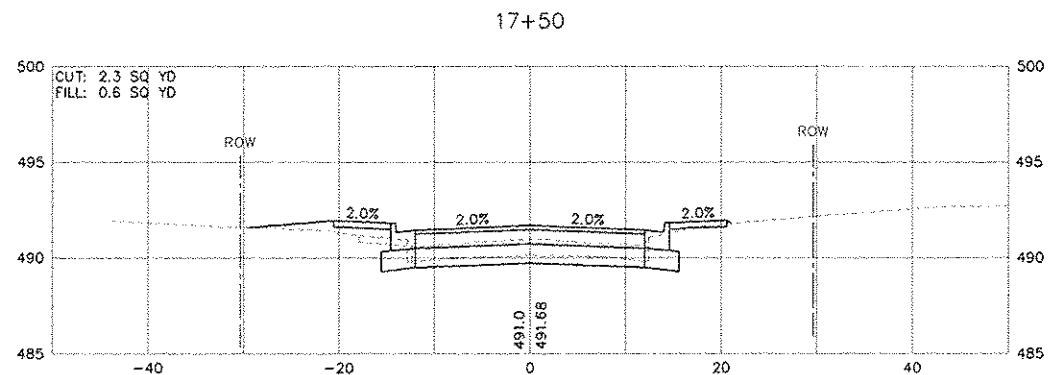
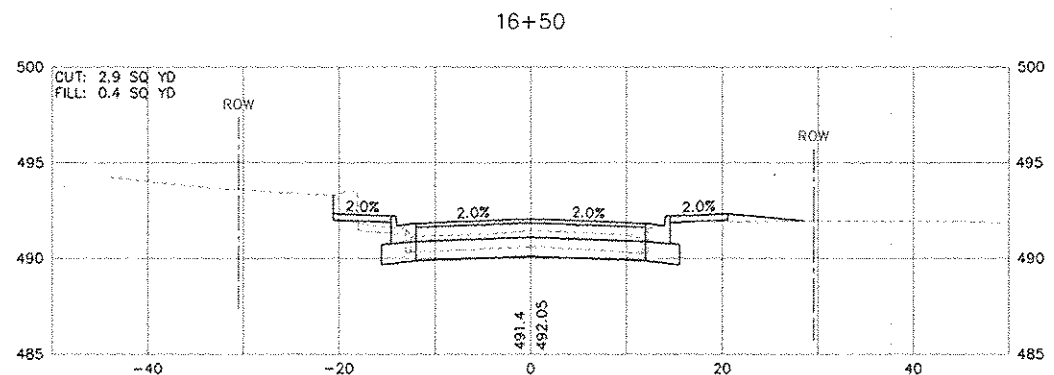


15+00



FILE: P:\11-1041_McClintock\10_CAD\CADD Sheets\11-1041_15.dwg

FILE: P:\11-1041_McClintock\10_CAD\CAD Sheets\11-1041_23.dwg



208 East Main Street, Suite 100
Belleville, Illinois 62220
618.233.5877 phone
618.233.5977 fax
www.kaskaskiaeng.com

Kaskaskia
Engineering Group, LLC

PROFESSIONAL REGISTRATIONS
Illinois Professional Design Firm
Professional Engineering Group

LICENSE NO. 184.004773
20-5080586

CONTRACT NO. 97631
SEC. NO. 05-00209-00-PV

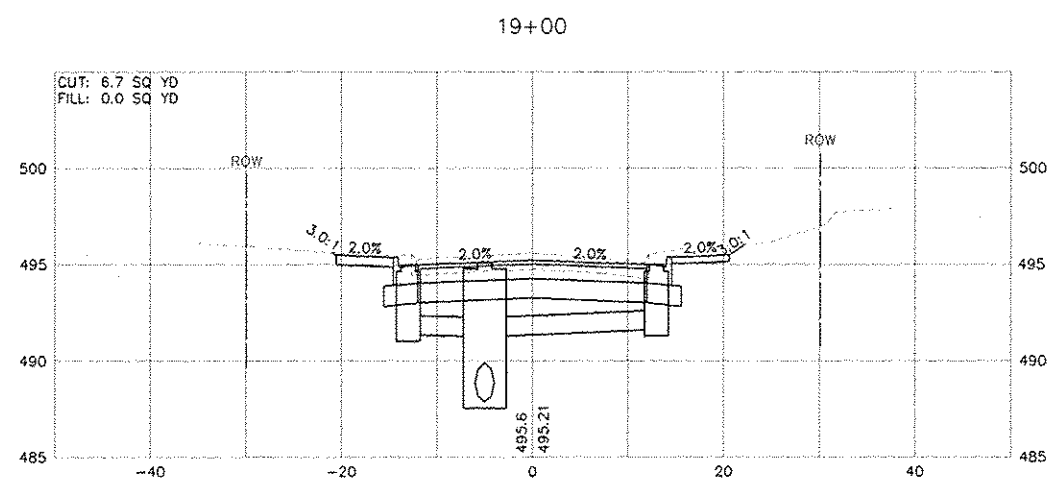
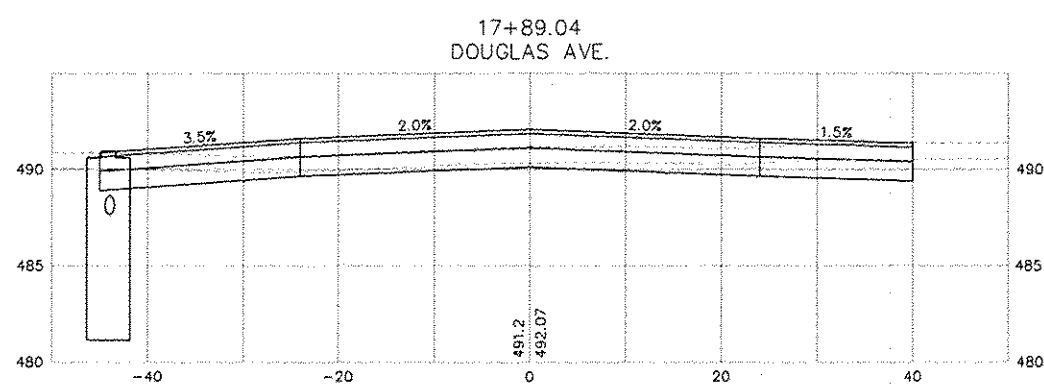
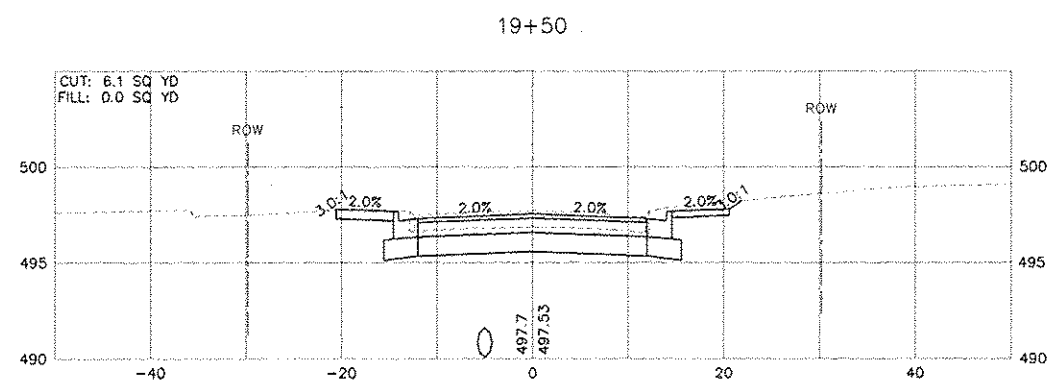
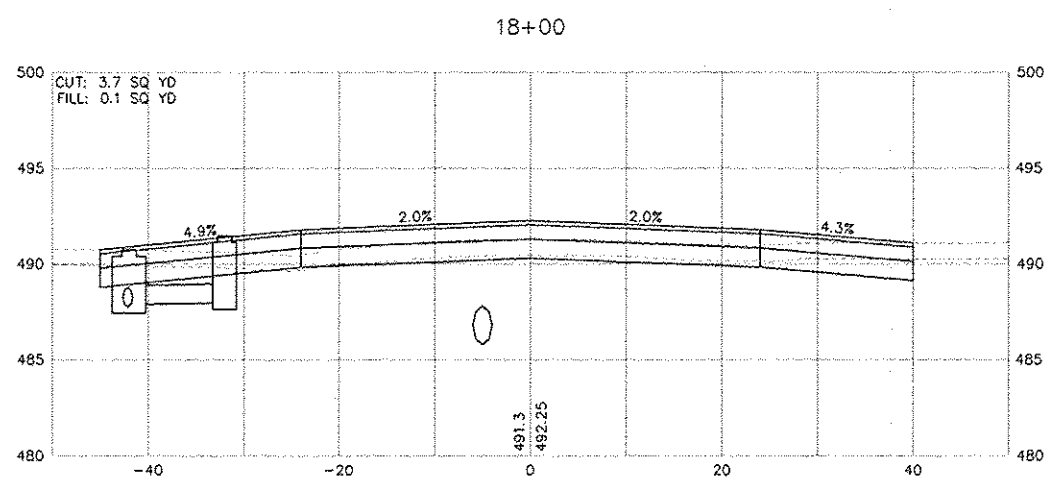
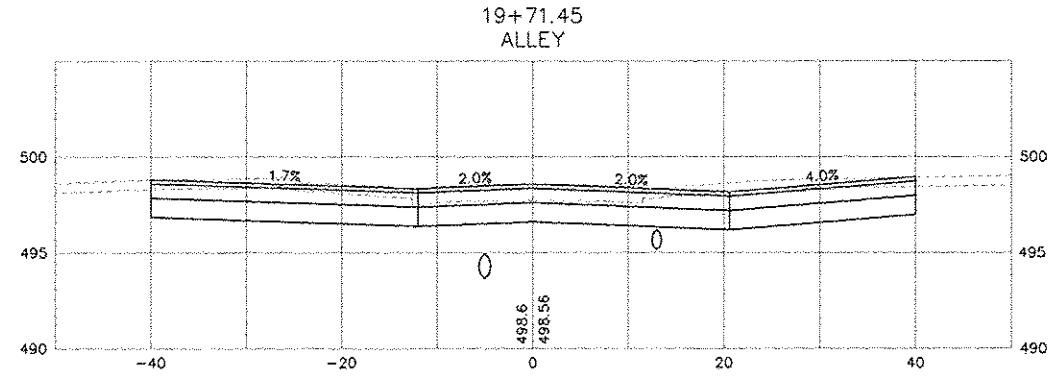
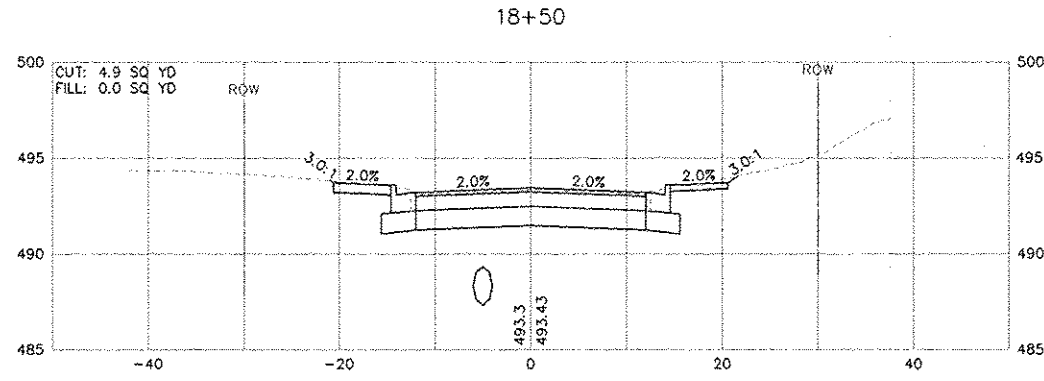
REV	DATE	DESCRIP
△		
△		
△		
△		
△		

SHEET TITLE: CROSS SECTIONS

PROJECT TITLE:
MCCLINTOCK AVE. STREET IMPROVEMENTS
CITY OF BELLEVILLE
ST. CLAIR COUNTY, IL

DESIGNED BY: TJR	SHEET
DRAWN BY: LDC	61
CHECKED BY: LDC	
DATE OF PRELIMINARY: 03/29/2013	
DATE OF FINAL: 05/24/2013	
SHEET NO. 61 OF 72 SHEETS	
PROJECT NUMBER 11-1041	

FILE: P:\11-1041_McClintock\110_CAD\1000_Sheets\11-1041_15.dwg



208 East Main Street, Suite 100
Belleville, Illinois 62220
618.233.5877 phone
618.233.5977 fax
www.kaskaskiaeng.com



CONTRACT NO. 97531
SEC. NO. 05-00209-00-PV

REV	DATE	DESCRIP
△		
△		
△		
△		
△		

CROSS SECTIONS

SHEET TITLE:
MCCLINTOCK AVE. STREET IMPROVEMENTS
CITY OF BELLEVILLE
ST. CLAIR COUNTY, IL

DESIGNED BY: TJR	SHEET
DRAWN BY: JLT	62
CHECKED BY: LDC	
DATE OF PRELIMINARY: 03/29/2013	
DATE OF FINAL: 05/24/2013	
SHEET NO. 62 OF 77 SHEETS	
PROJECT NUMBER 11-1041	

208 East Main Street, Suite 100
 Belleville, Illinois 62220
 618.233.5877 phone
 618.233.5977 fax
 www.kaskadiaeng.com



PROFESSIONAL REGISTRATIONS
 Illinois Professional Design Firm
 Professional Engineering Group

LICENSE NO.
 184-004773
 20-5080586

PREPARED BY:

SEAL

Signature: _____
 Expiration Date: 06/30/20XX

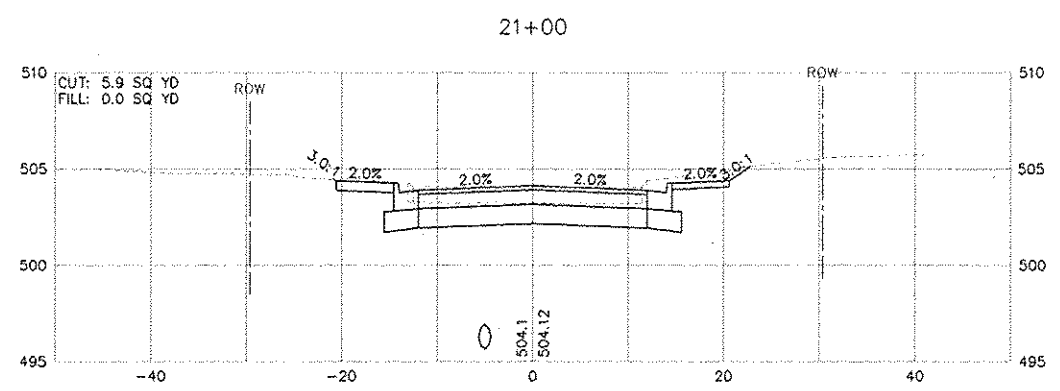
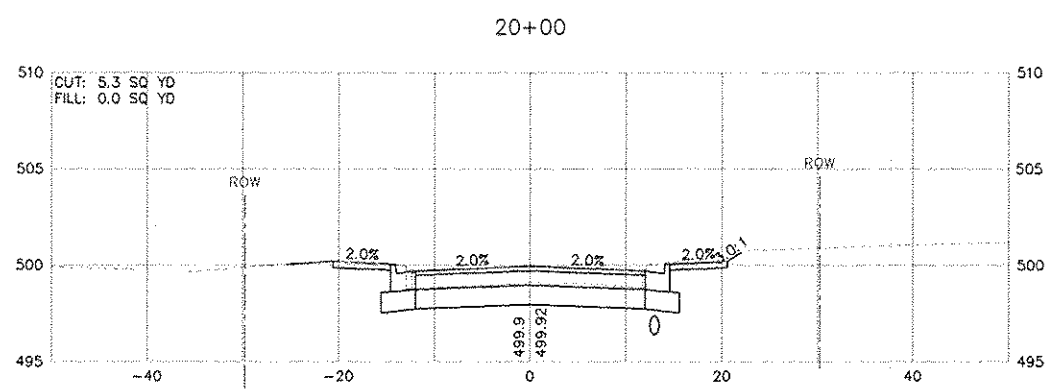
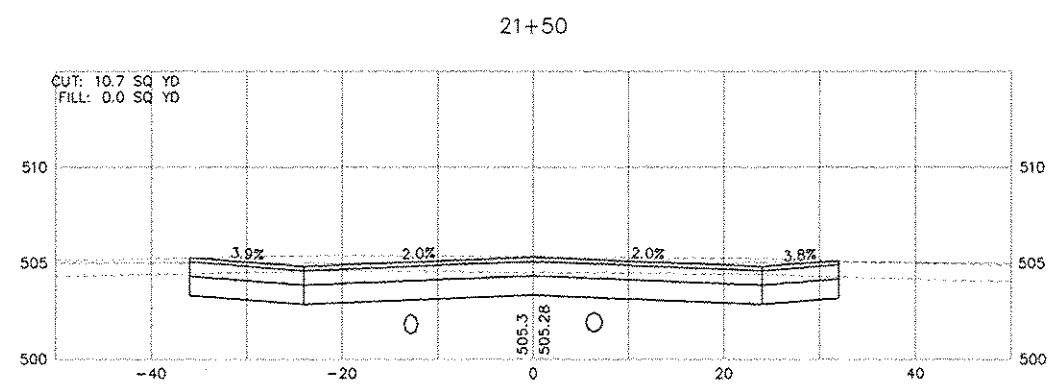
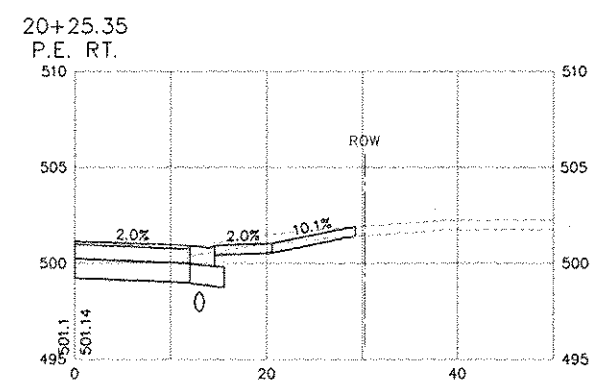
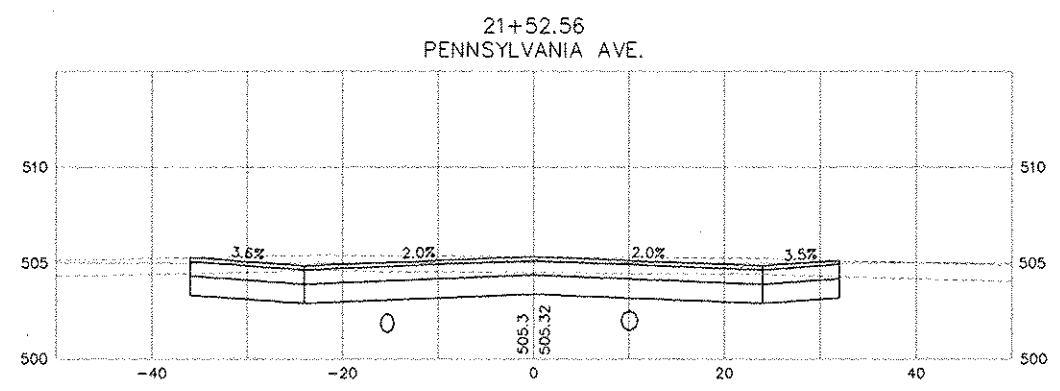
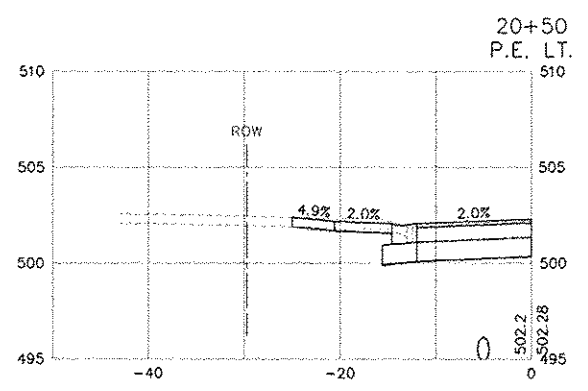
REV.	DATE	DESCRIP
△		
△		

CROSS SECTIONS

PROJECT TITLE:
 MCCLINTOCK AVE. STREET IMPROVEMENTS
 CITY OF BELLEVILLE
 ST. CLAIR COUNTY, IL

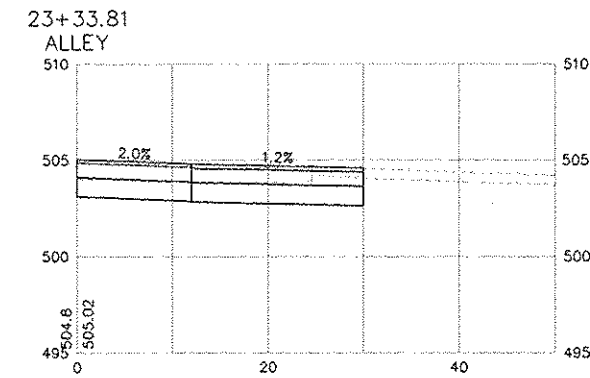
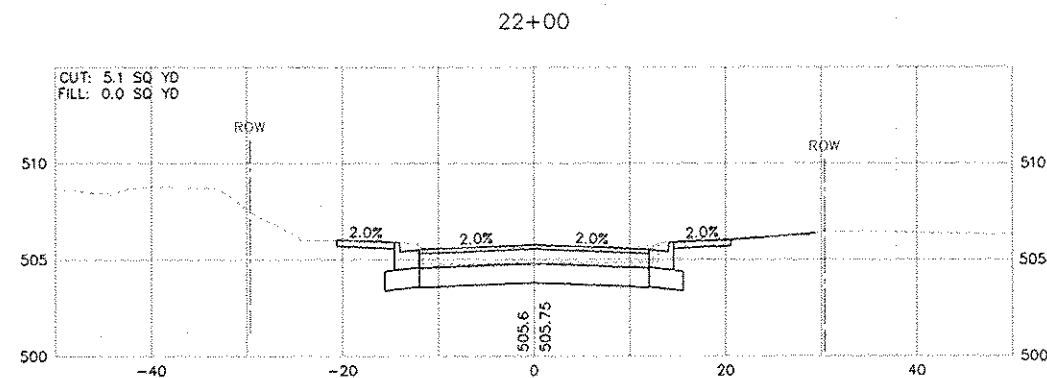
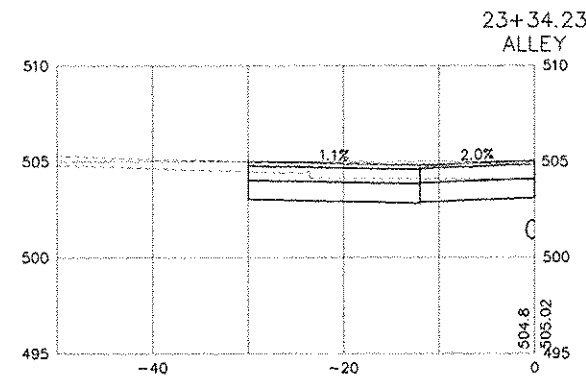
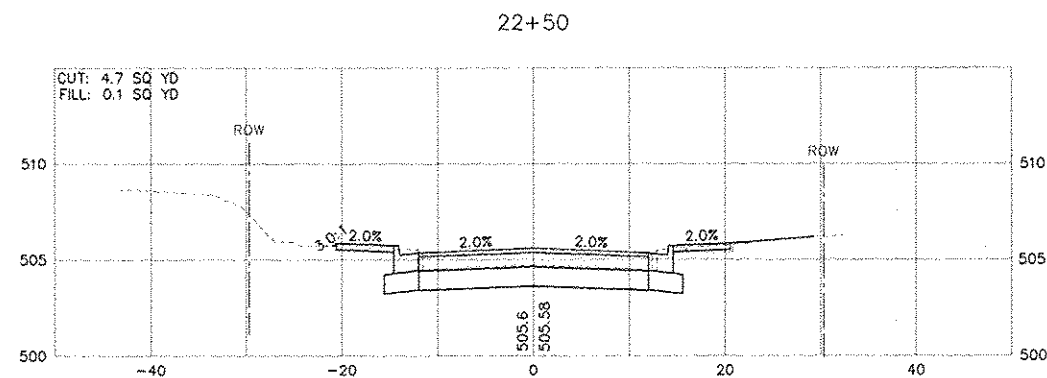
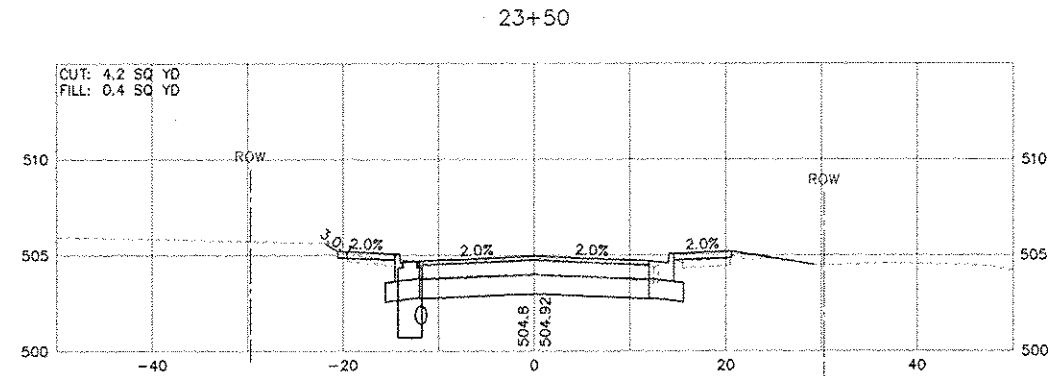
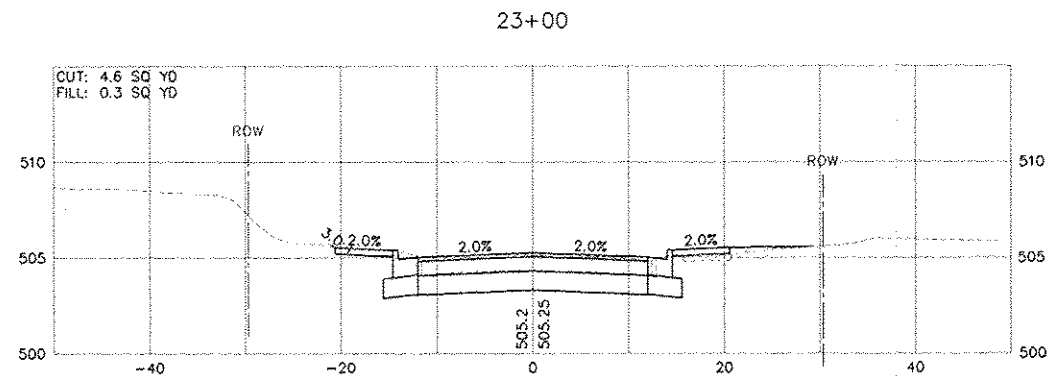
SHEET TITLE:

DESIGNED BY: TJR	SHEET
DRAWN BY: JLT	63
CHECKED BY: LDC	
DATE OF PRELIMINARY: 03/29/2013	
DATE OF FINAL: 05/24/2013	
SHEET NO. 62 OF 77 SHEETS	
PROJECT NUMBER 11-1041	



FILE: P:\11-1041_McClintock\10_CAD\CADD Sheets\11-1041_23.dwg

FILE P:\11-1041 McClinton\10_CAD\CADD Sheets\11-1041_XS.dwg



208 East Main Street, Suite 100
Belleville, Illinois 62220
618.233.5877 phone
618.233.5777 fax
www.kaskasiaeng.com

Kaskasia
Engineering Group, LLC

PROFESSIONAL REGISTRATIONS
Illinois Professional Design Firm
Professional Engineering Group

LICENSE NO.
184.004773
20-5080586

CONTRACT NO. 97531
SEC. NO. 05-00208-00-PV

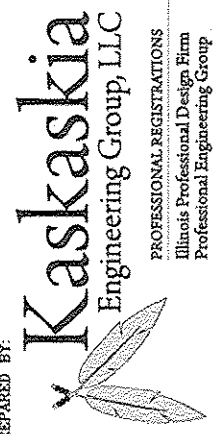
REV.	DATE	DESCRIP
△		
△		
△		
△		
△		

CROSS SECTIONS

PROJECT TITLE:
MCCLINTOCK AVE. STREET IMPROVEMENTS
CITY OF BELLEVILLE
ST. CLAIR COUNTY, IL

DESIGNED BY: TJR	SHEET
DRAWN BY: JLT	64
CHECKED BY: LDC	
DATE OF PRELIMINARY: 03/29/2013	
DATE OF FINAL: 05/24/2013	
SHEET NO. 64 OF 72 SHEETS	
PROJECT NUMBER 11-1041	

208 East Main Street, Suite 100
 Belleville, Illinois 62220
 618.233.5977 phone
 618.233.5977 fax
 www.kaskaskiaeng.com



PROFESSIONAL REGISTRATIONS
 Illinois Professional Design Firm
 Professional Engineering Group

PREPARED BY:

CONTRACT NO. 07531
 SEC. NO. 05-00208-00-PV

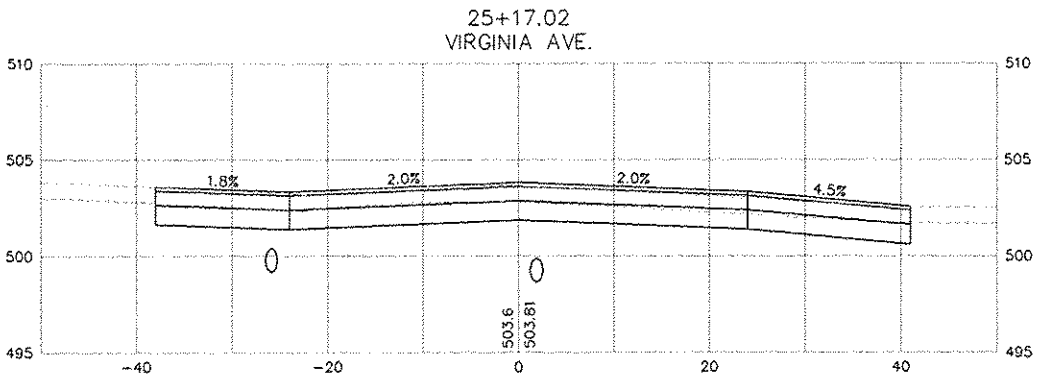
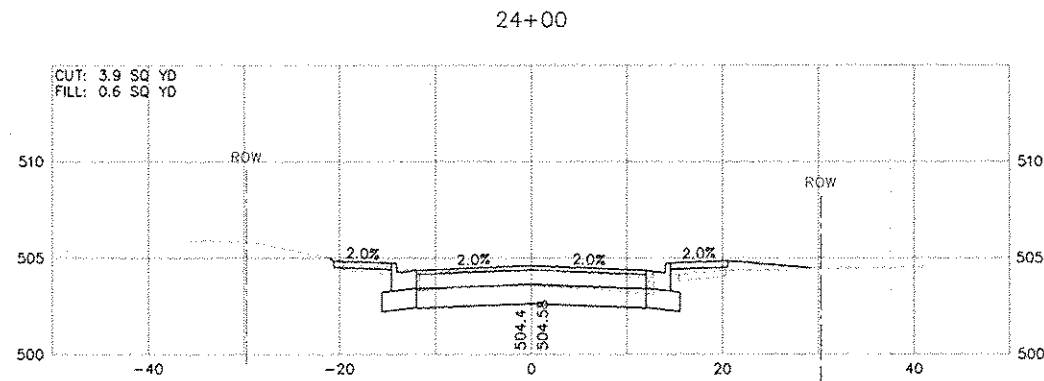
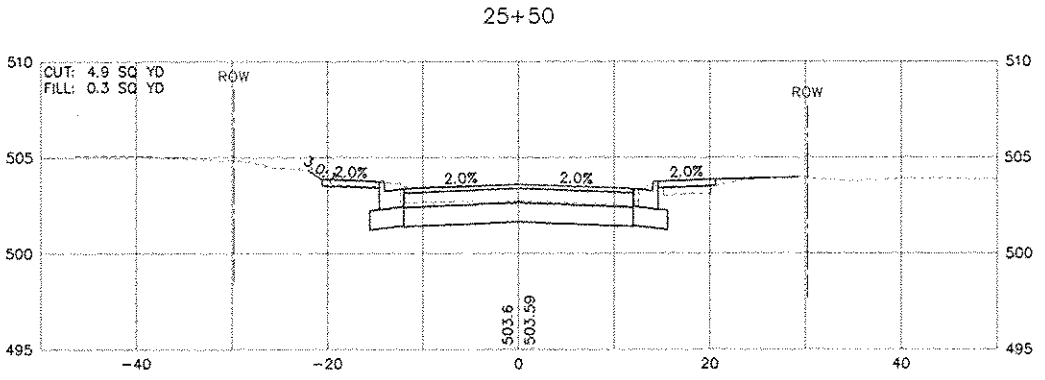
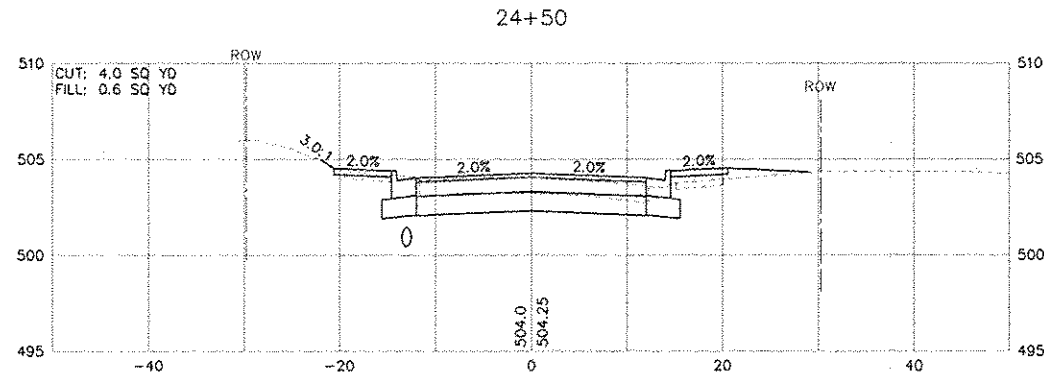
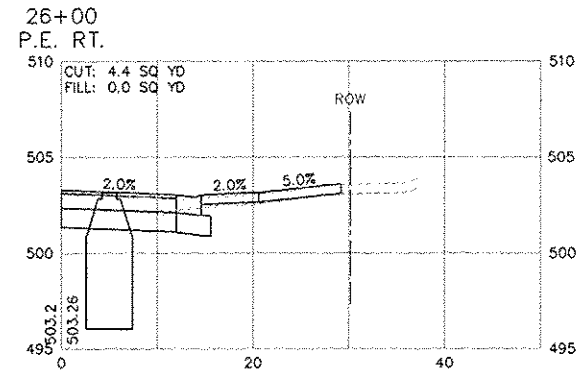
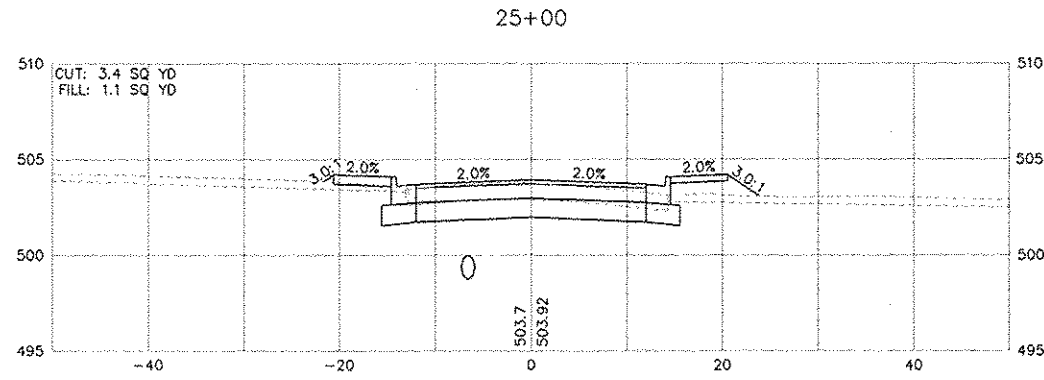
REV	DATE	DESCRIP
△		
△		
△		
△		
△		

CROSS SECTIONS

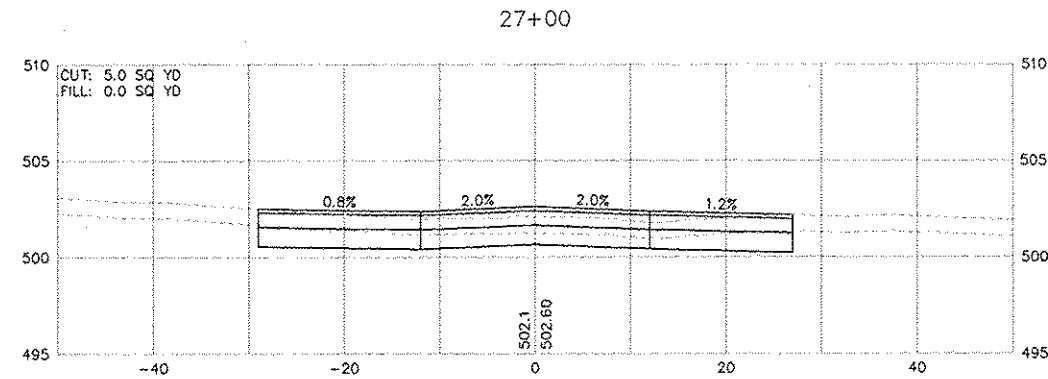
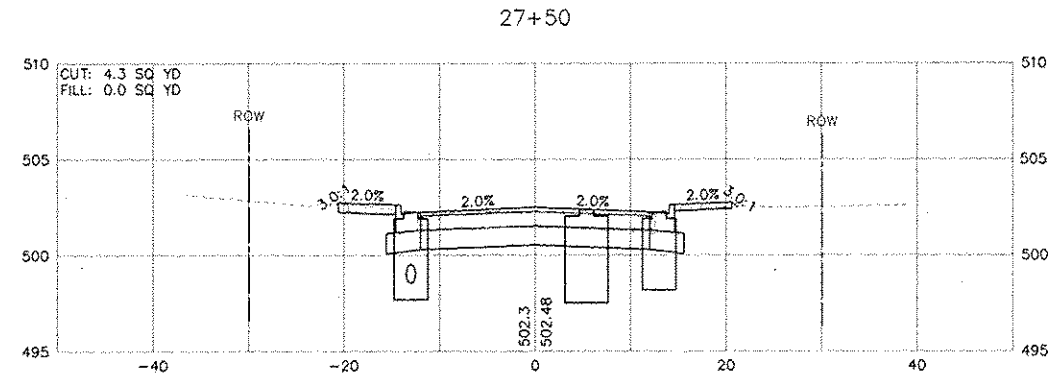
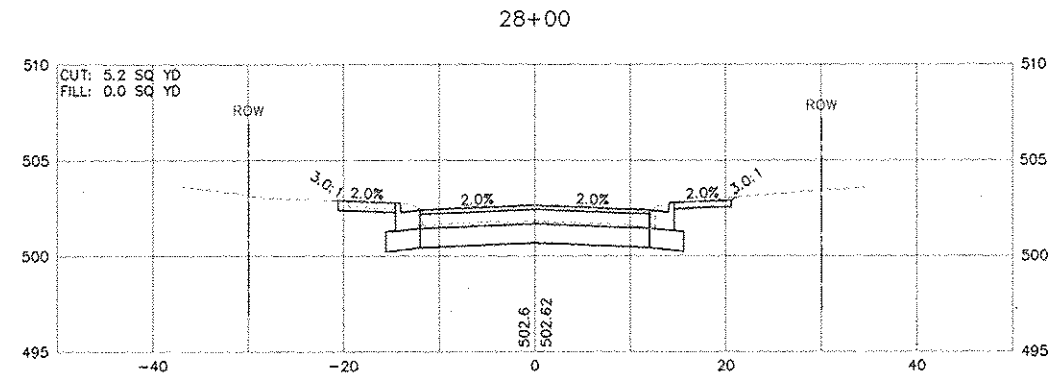
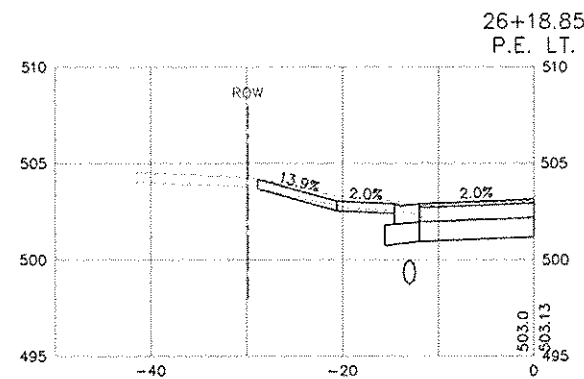
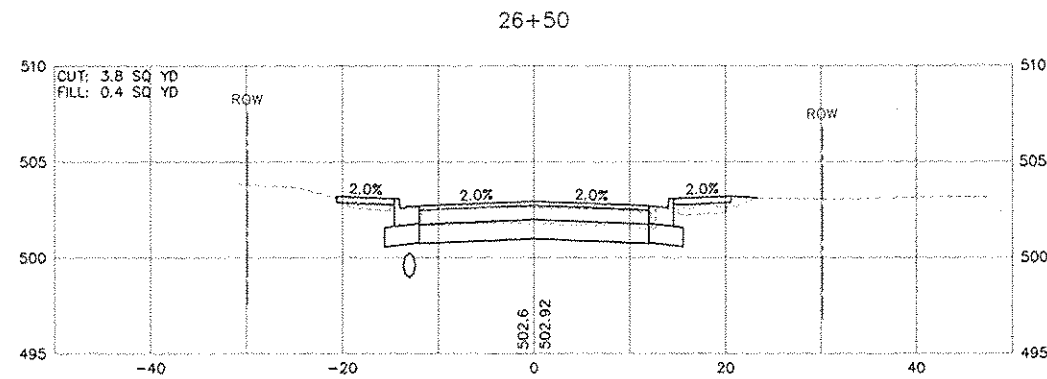
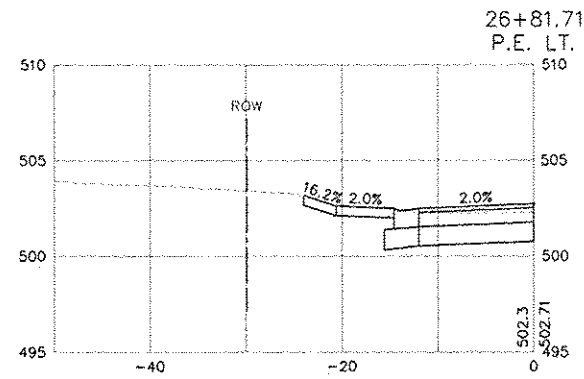
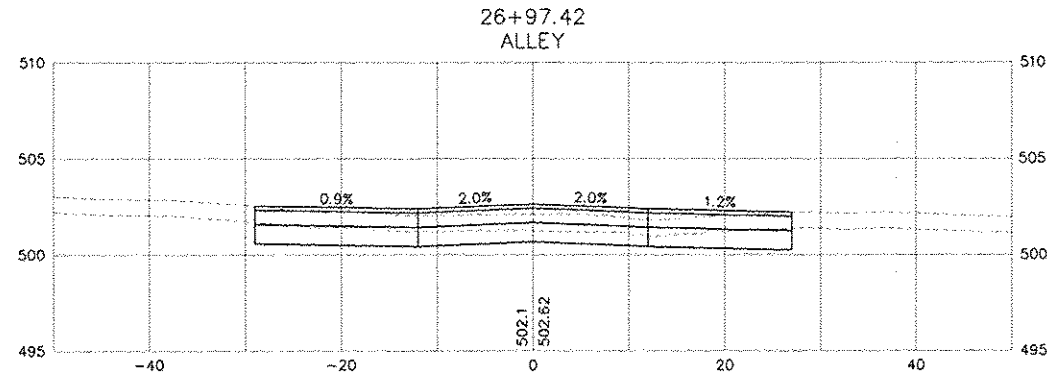
PROJECT TITLE:
 MCCLINTOCK AVE. STREET IMPROVEMENTS
 CITY OF BELLEVILLE
 ST. CLAIR COUNTY, IL

SHEET TITLE:

DESIGNED BY: TJR	SHEET
DRAWN BY: JLT	65
CHECKED BY: LDC	
DATE OF PRELIMINARY: 03/29/2013	
DATE OF FINAL: 05/24/2013	
SHEET NO. 65 OF 72 SHEETS	
PROJECT NUMBER 11-1041	



FILE: P:\11-1041 McClinton\10_CAD\CADD Sheets\11-1041_05.dwg



208 East Main Street, Suite 100
Belleville, Illinois 62220
618.233.5877 phone
618.233.5877 fax
www.kaskasiaeng.com



PREPARED BY:

CONTRACT NO. 07531
SEC. NO. 05-00209-00-PV

REV.	DATE	DESCRIP
△		
△		
△		
△		
△		

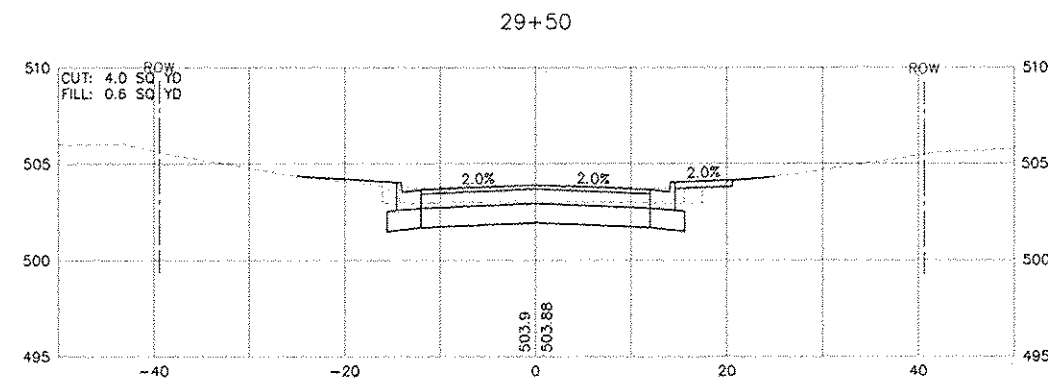
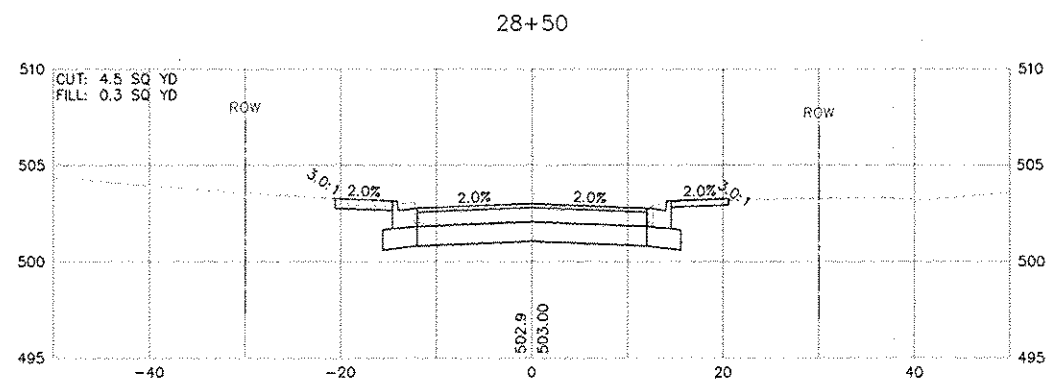
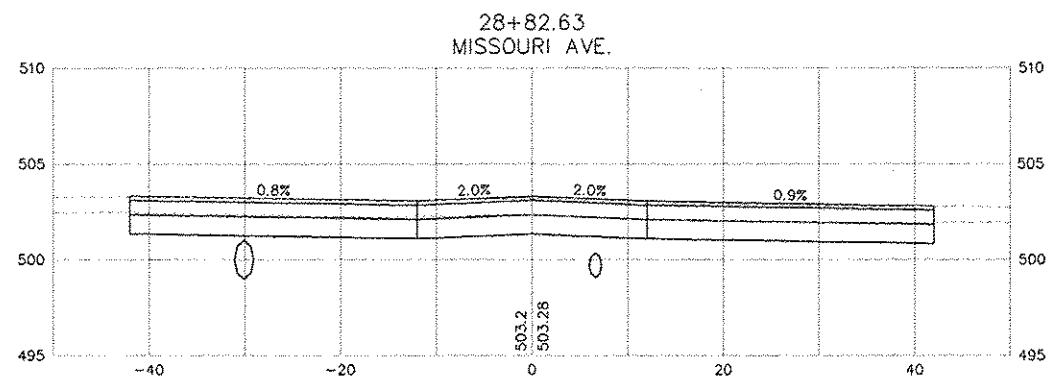
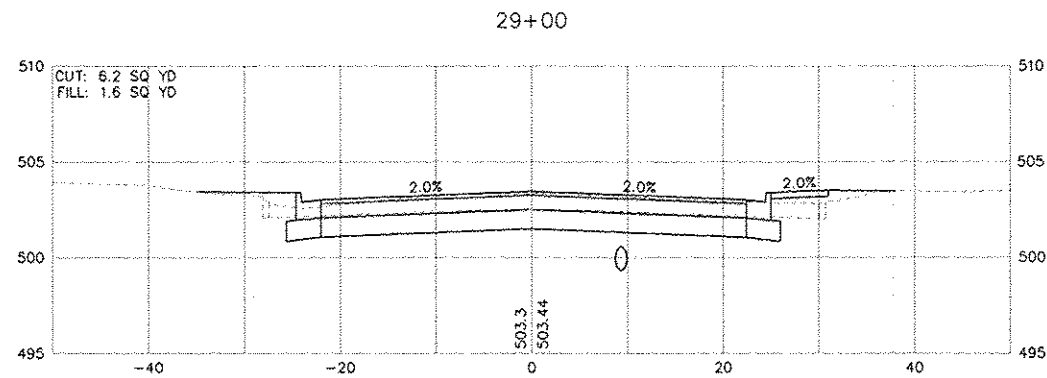
CROSS SECTIONS

SHEET TITLE:

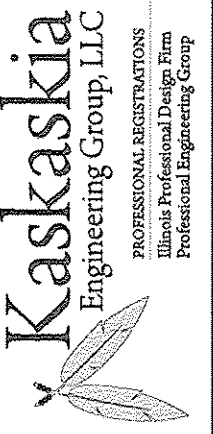
PROJECT TITLE:
MCCLINTOCK AVE. STREET IMPROVEMENTS
CITY OF BELLEVILLE
ST. CLAIR COUNTY, IL

DESIGNED BY: TJR	SHEET
DRAWN BY: JLT	66
CHECKED BY: LDC	
DATE OF PRELIMINARY: 03/29/2013	
DATE OF FINAL: 05/14/2013	
SHEET NO. 66 OF 72 SHEETS	
PROJECT NUMBER 11-1041	

FILE: P:\11-1041 McClintonck\10_CADD Sheets\11-1041_XS.dwg



208 East Main Street, Suite 100
Bellaire, Illinois 62220
618.333.5877 phone
618.333.5977 fax
www.kaskaskiaeng.com



PREPARED BY:

PROFESSIONAL REGISTRATIONS
Illinois Professional Design Firm
Professional Engineering Group

LICENSE NO.
184-004773
20-5080586

CONTRACT NO. 97531
SEC. NO. 05-00208-00-PV

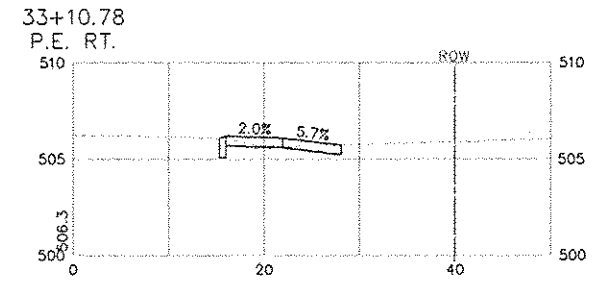
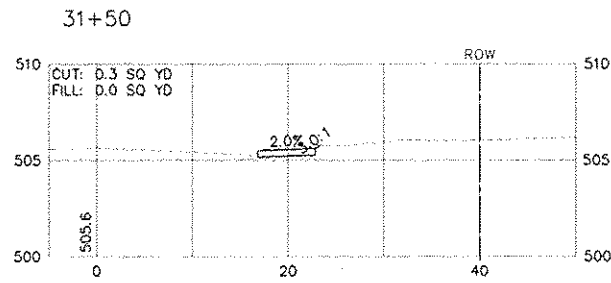
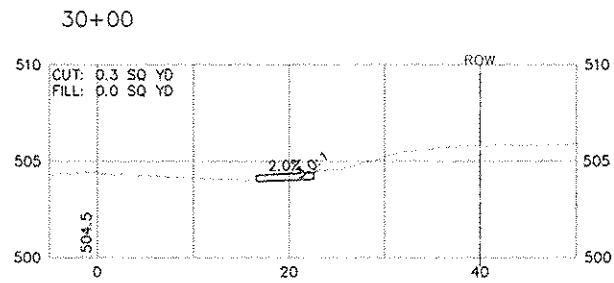
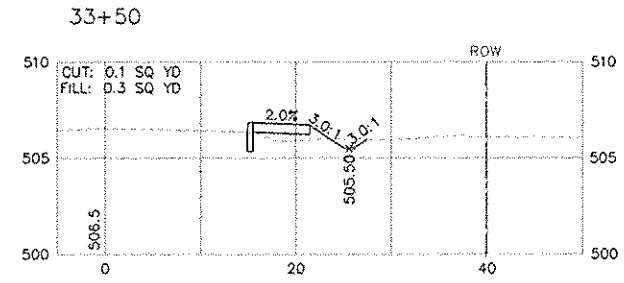
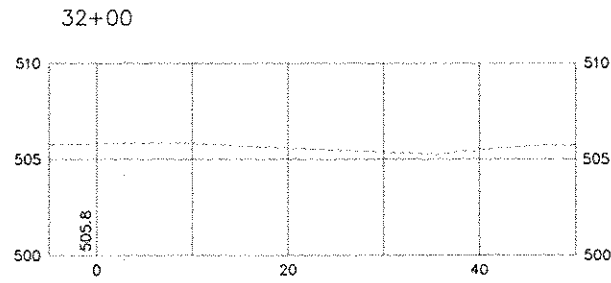
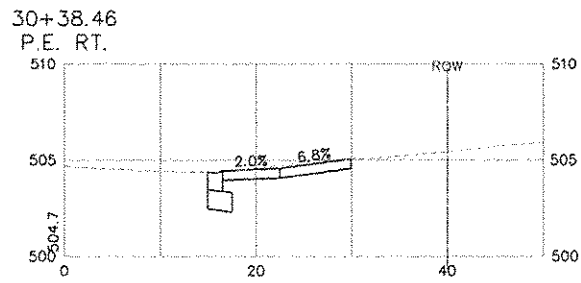
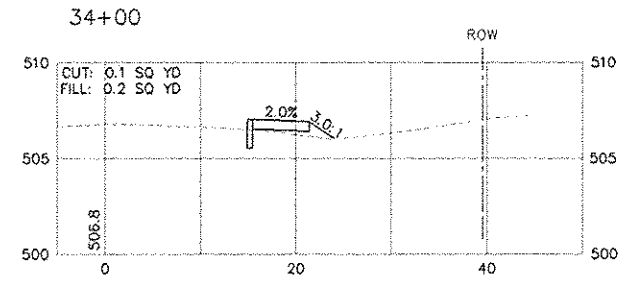
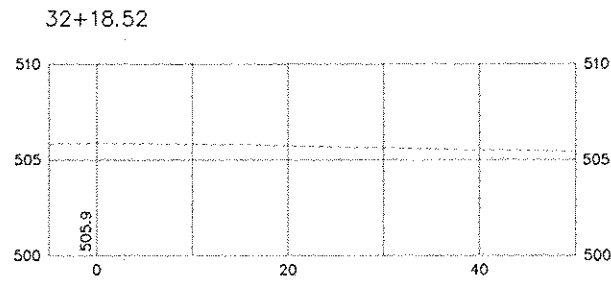
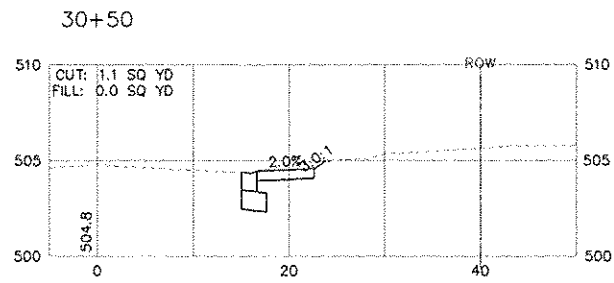
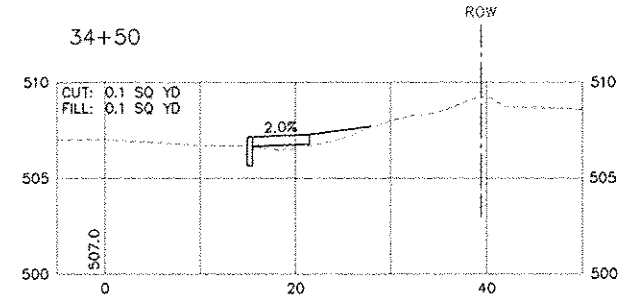
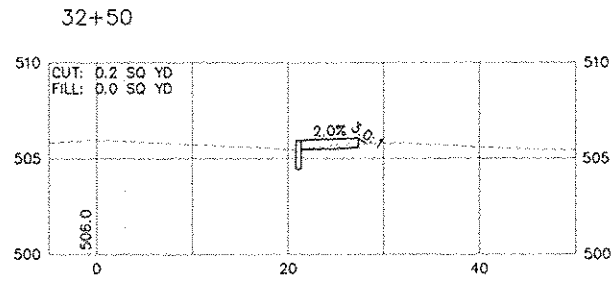
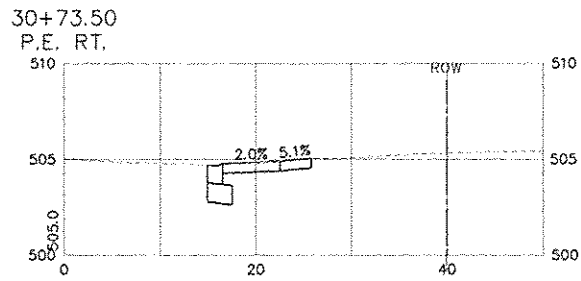
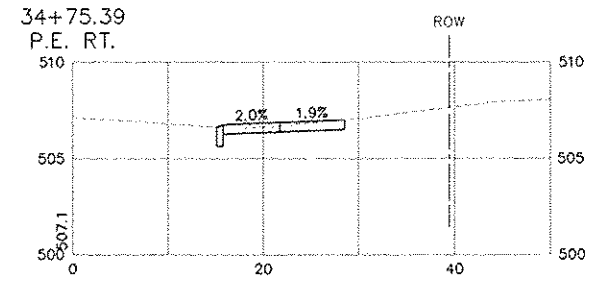
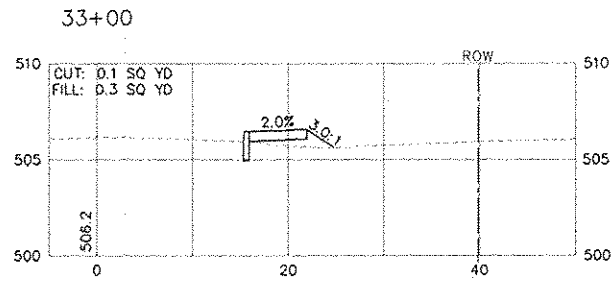
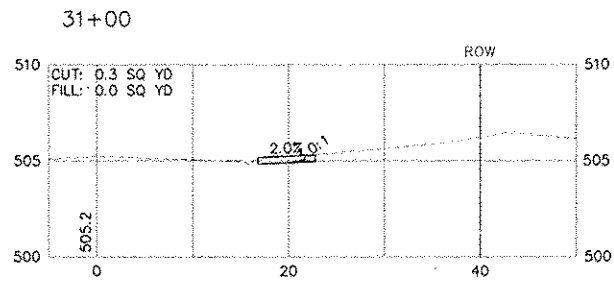
REV.	DATE	DESCRIP
△		
△		
△		
△		
△		

CROSS SECTIONS

PROJECT TITLE:
MCCLINTOCK AVE. STREET IMPROVEMENTS
CITY OF BELLEVILLE
ST. CLAIR COUNTY, IL

SHEET TITLE:

DESIGNED BY: TJR	SHEET
DRAWN BY: JLT	67
CHECKED BY: LDC	
DATE OF PRELIMINARY: 03/29/2013	
DATE OF FINAL: 05/24/2013	
SHEET NO. 67 OF 72 SHEETS	
PROJECT NUMBER 11-1041	



208 East Main Street, Suite 100
Belleisle, Illinois 62220
618.233.5877 phone
618.233.5977 fax
www.kaskasiaeng.com

Kaskasia
Engineering Group, LLC

PROFESSIONAL REGISTRATIONS
Illinois Professional Design Firm
Professional Engineering Group

LICENSE NO. 184-004773
20-5080366

PREPARED BY: _____
SEAL _____
Signature: _____
Expiration Date: 03/29/2013

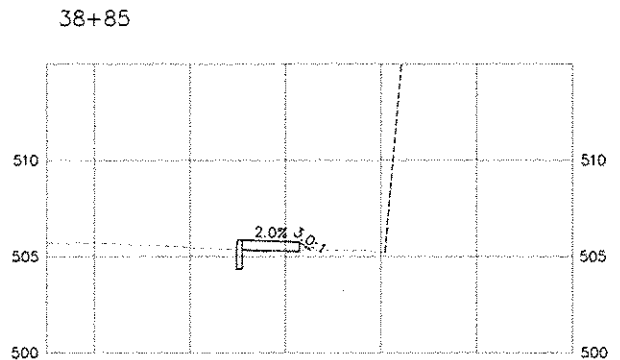
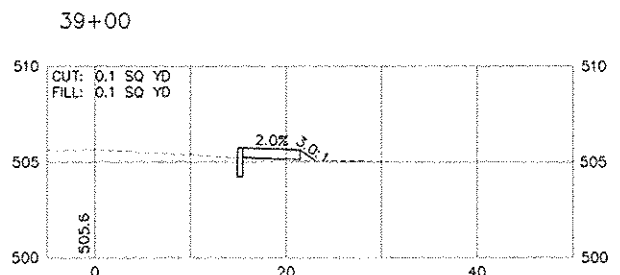
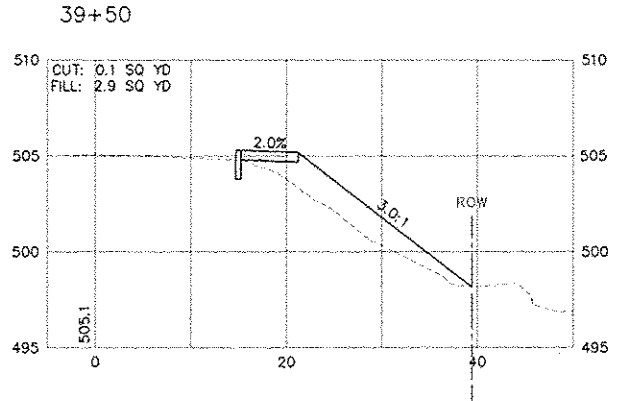
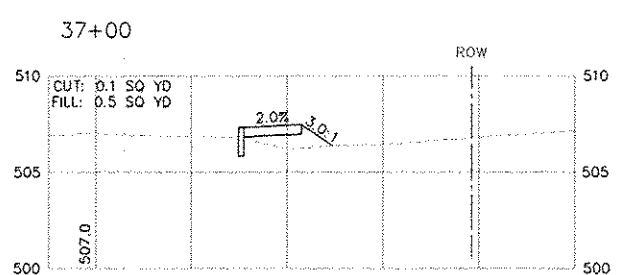
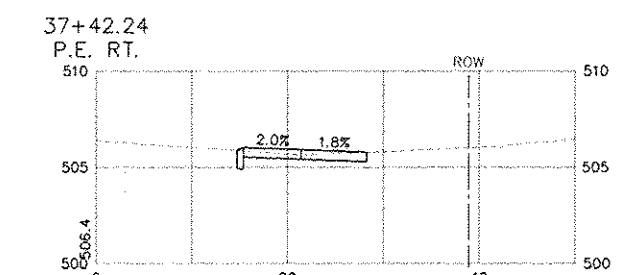
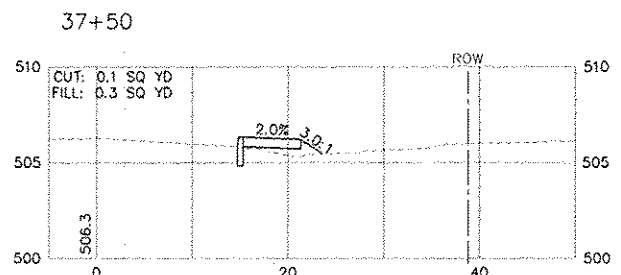
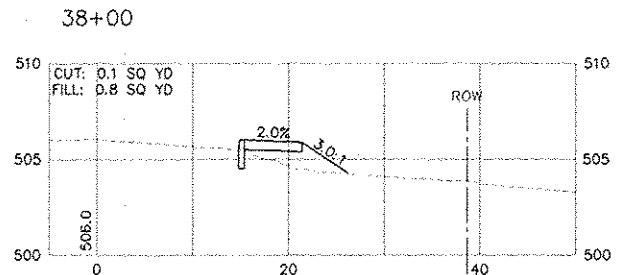
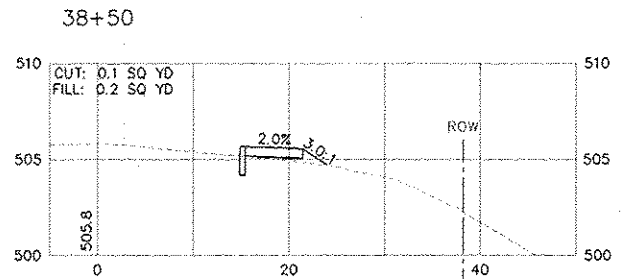
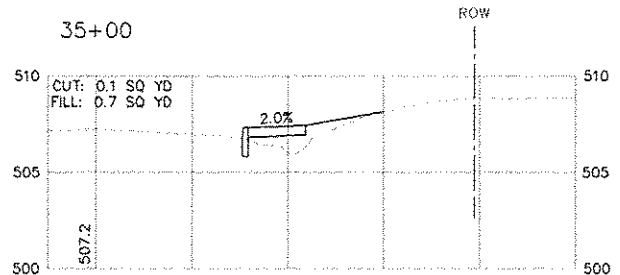
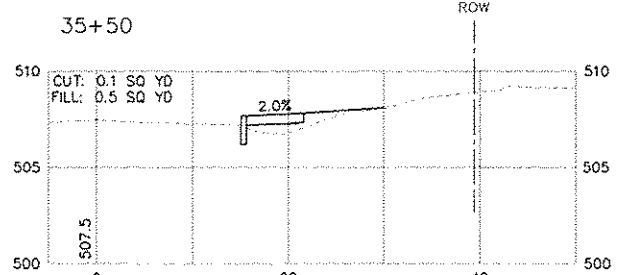
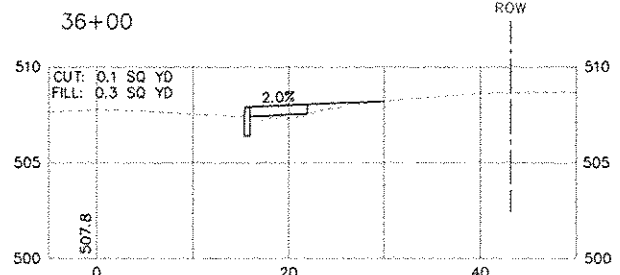
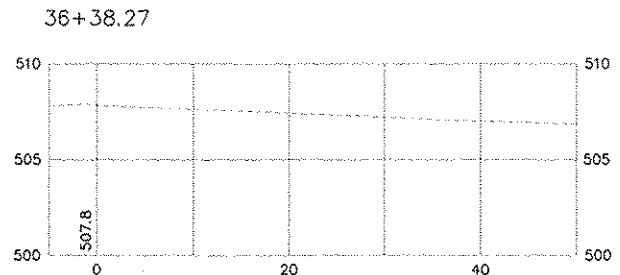
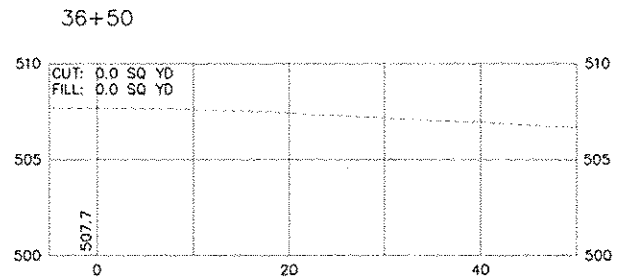
REV	DATE	DESCRIP
△		
△		

CROSS SECTIONS

PROJECT TITLE:
MCCLINTOCK AVE. STREET IMPROVEMENTS
CITY OF BELLEVILLE
ST. CLAIR COUNTY, IL

DESIGNED BY: TJR	SHEET
DRAWN BY: JLT	68
CHECKED BY: LDC	
DATE OF PRELIMINARY: 03/29/2013	
DATE OF FINAL: 05/24/2013	
SHEET NO. 68 OF 72 SHEETS	
PROJECT NUMBER 11-1041	

FILE: F:\11-1041_McClintock\10_CAD\CAD Sheets\11-1041_JLS-Subwork.dwg



FILE: P:\11-1041_McClintock\10_040_Sheets\11-1041_XS-Sideview.dwg

LAST PLOTTED: 5/24/2013 10:53 AM OPERATOR: JLT

208 East Main Street, Suite 100
 Belleville, Illinois 62220
 618.333.5877 phone
 618.333.5977 fax
 www.kaskaskiaeng.com

Kaskaskia
 Engineering Group, LLC

PROFESSIONAL REGISTRATIONS
 Illinois Professional Design Firm
 Professional Engineering Group

LICENSE NO. 184-004773
 20-S080586

PREPARED BY:

SEAL

Signature: _____
 Expiration Date: 06/01/2015

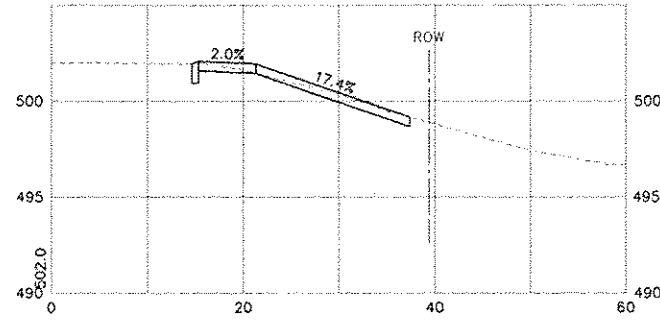
REV.	DATE	DESCRIP
△		
△		

SHEET TITLE:
CROSS SECTIONS

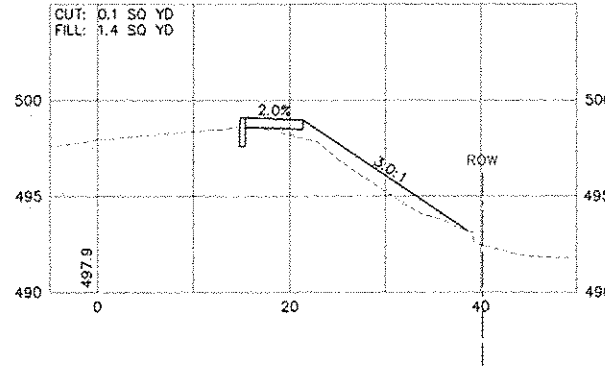
PROJECT TITLE:
**MCCLINTOCK AVE. STREET IMPROVEMENTS
 CITY OF BELLEVILLE
 ST. CLAIR COUNTY, IL**

DESIGNED BY: TJR	SHEET
DRAWN BY: JLT	69
CHECKED BY: LDC	
DATE OF PRELIMINARY: 03/29/2013	
DATE OF FINAL: 05/24/2013	
SHEET NO. 69 OF 72 SHEETS	
PROJECT NUMBER 11-1041	

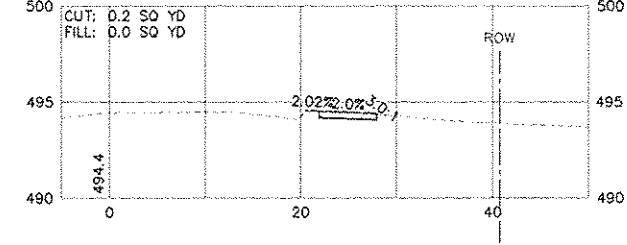
40+66.51
P.E. RT.



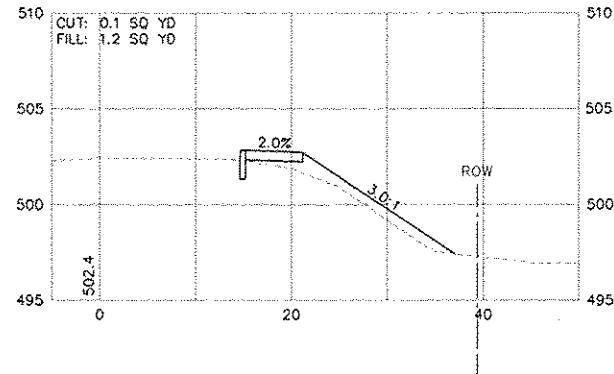
42+00



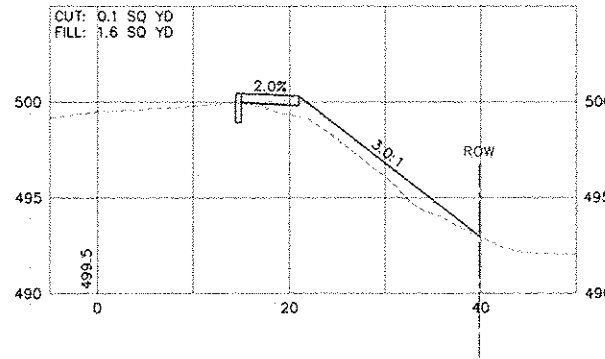
43+50



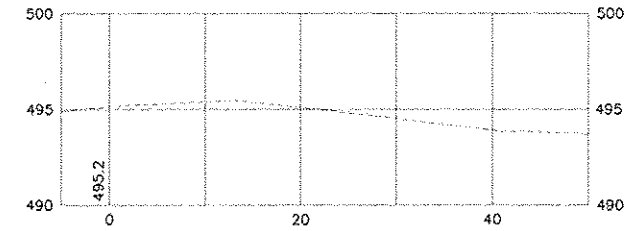
40+50



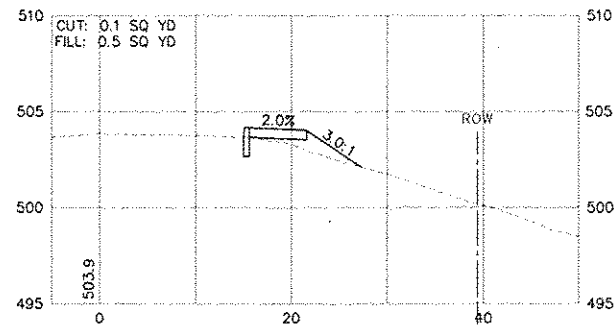
41+50



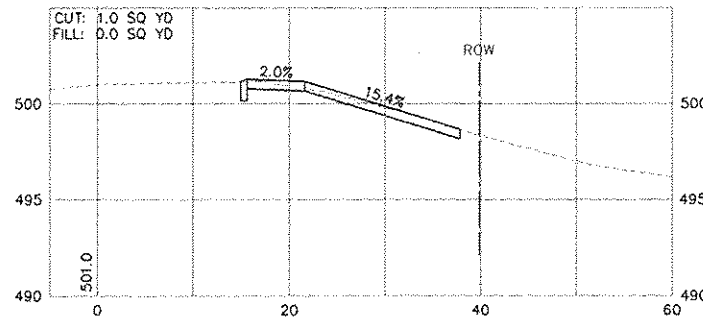
43+10.56



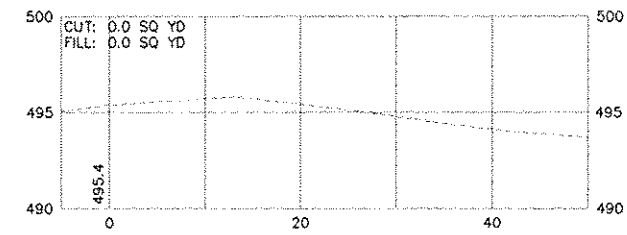
40+00



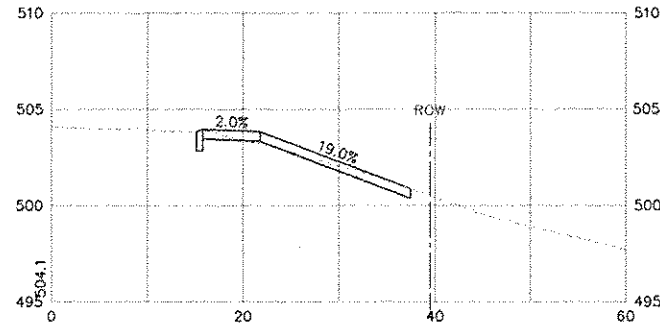
41+00



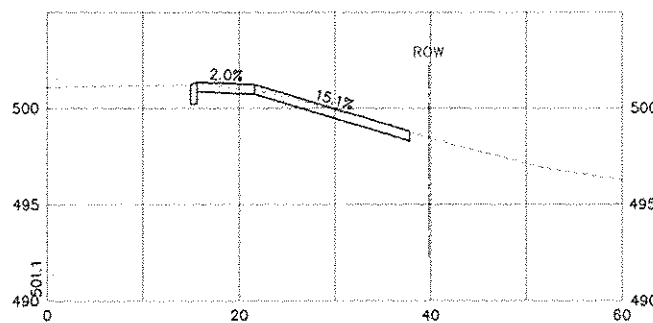
43+00



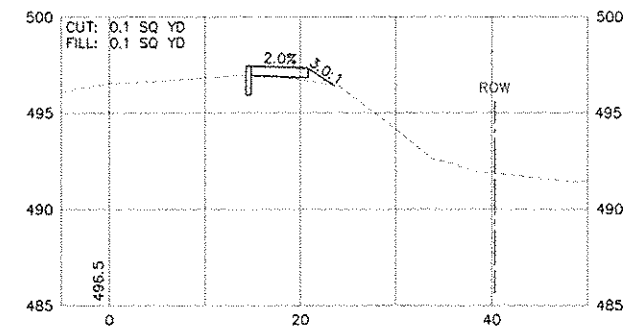
39+92.73
P.E. RT.



40+96.62
P.E. RT.



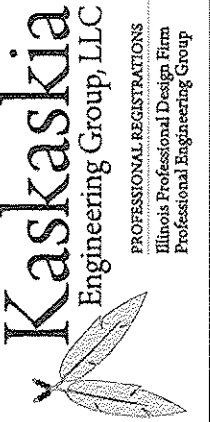
42+50



FILE: P:\11-1041_McClintock\10_CAD\CAD Sheets\11-1041_XS_Slope.dwg

LAST PLOTTED: 5/24/2013 10:53 AM OPERATOR: JLT

208 East Main Street, Suite 100
Belleville, Illinois 63220
618.333.5877 phone
618.333.5777 fax
www.kaskasia.com



PREPARED BY:
SEAL
Signature: _____
Expiration Date: 06/30/20XX

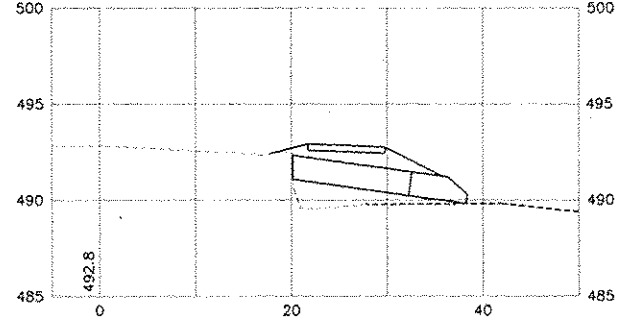
REV.	DATE	DESCRIP
△		
△		

CROSS SECTIONS

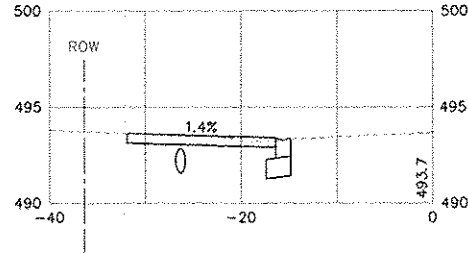
PROJECT TITLE:
MCCLINTOCK AVE. STREET IMPROVEMENTS
CITY OF BELLEVILLE
ST. CLAIR COUNTY, IL

DESIGNED BY: TJR	SHEET
DRAWN BY: JLT	70
CHECKED BY: LDC	
DATE OF PRELIMINARY: 01/29/2013	
DATE OF FINAL: 05/24/2013	
SHEET NO. 70 OF 72 SHEETS	
PROJECT NUMBER 11-1041	

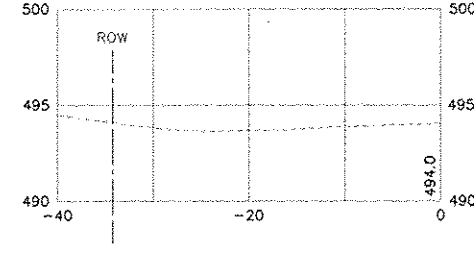
45+46.58
SKEWED FOR CULVERT



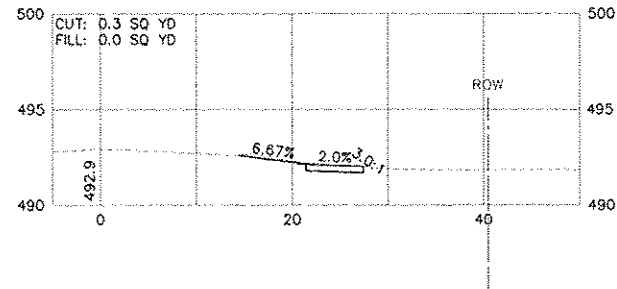
46+70.17
P.E. LT.



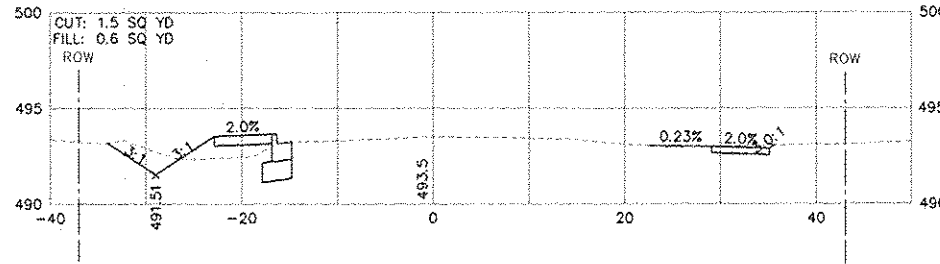
47+38.02
C.E. LT.



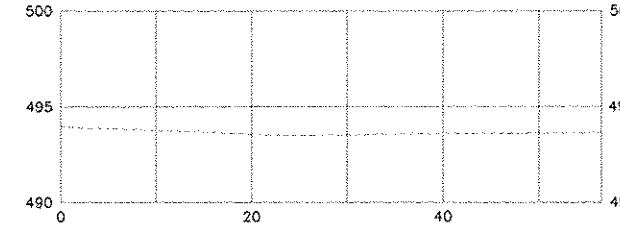
45+00



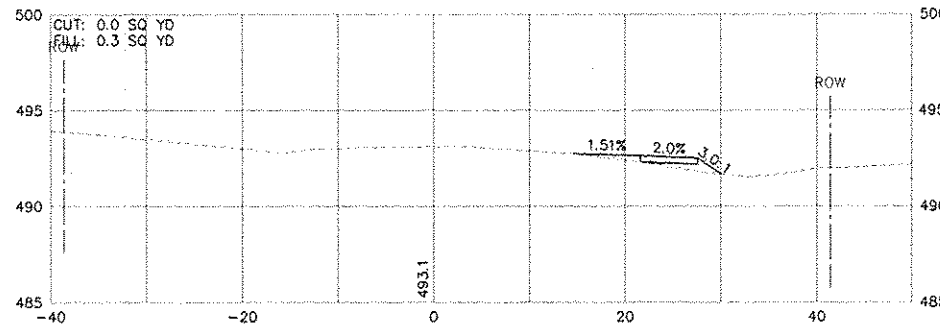
46+50



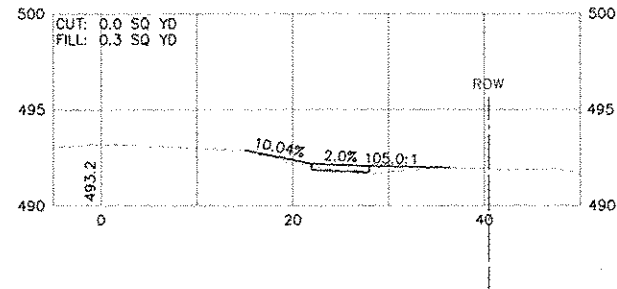
47+12.16
C.E. RT.



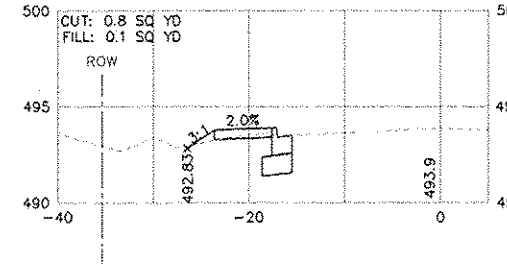
46+00



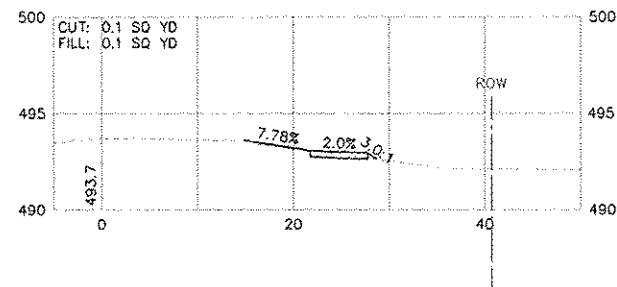
44+50



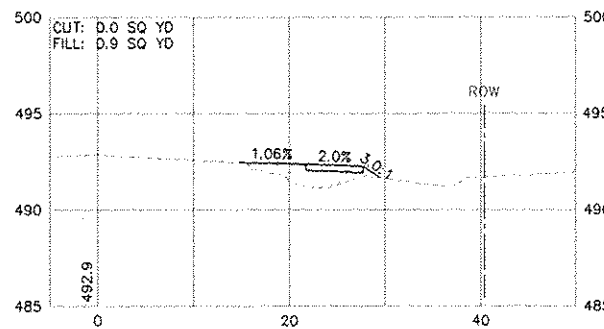
47+00



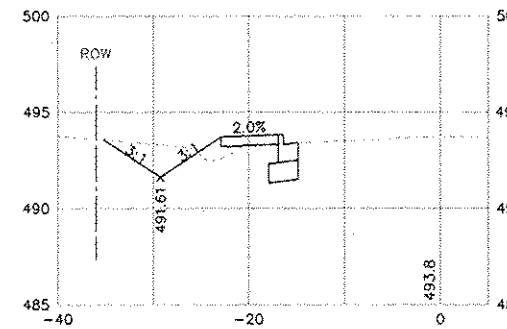
44+00



45+50



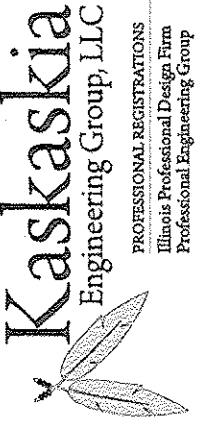
46+82.77



FILE: P:\11-1041 McClinton Ave CAD\CAD Sheets\11-1041_XS-Sideview.dwg

LAST PLOTTED: 5/24/2013 10:54 AM OPERATOR: J.T

208 East Main Street, Suite 100
Belleville, Illinois 62220
618.233.5877 phone
618.233.5977 fax
www.kaskaskiaeng.com

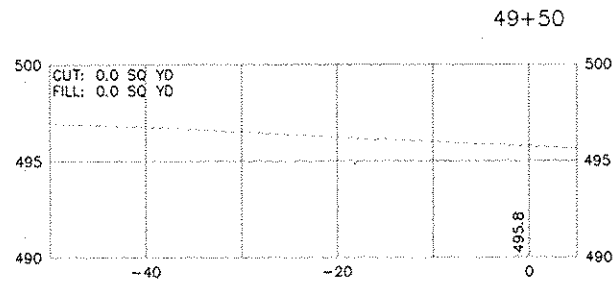
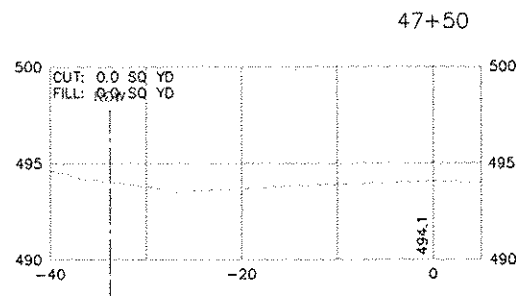
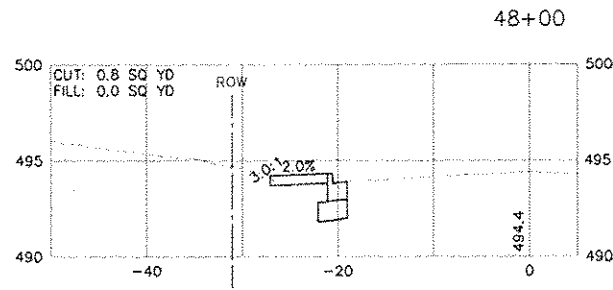
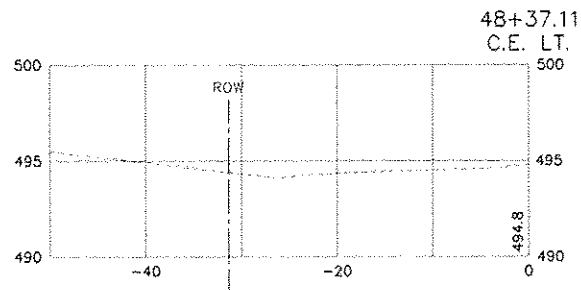
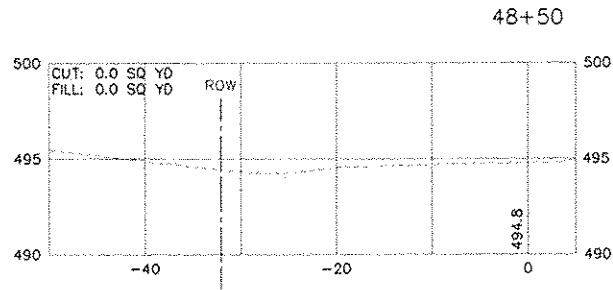
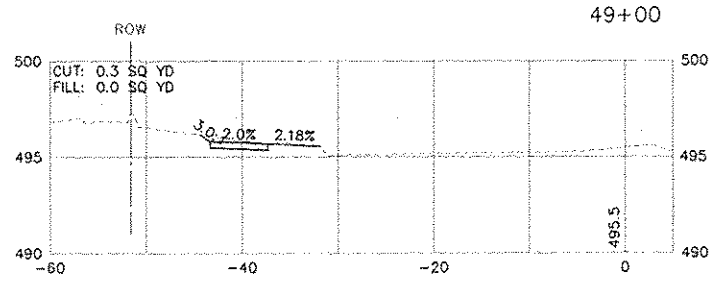


PREPARED BY:
SEAL
Signature: _____
Expiration Date: (R000/20XX)

REV.	DATE	DESCRIP
△		
△		

CROSS SECTIONS
PROJECT TITLE:
MCCLINTOCK AVE. STREET IMPROVEMENTS
CITY OF BELLEVILLE
ST. CLAIR COUNTY, IL

DESIGNED BY: TJR	SHEET
DRAWN BY: JLT	71
CHECKED BY: LDC	
DATE OF PRELIMINARY: 03/29/2013	
DATE OF FINAL: 05/24/2013	
SHEET NO. 71 OF 72 SHEETS	
PROJECT NUMBER 111041	



FILE: P:\1-1041_McClintock\10_CAD\CADD_Sheets\11-1041_SS-Sidewalk.dwg

LAST PLOTTED: 5/24/2013 10:54 AM OPERATOR: JLT

208 East Main Street, Suite 100
 Belleville, Illinois 62220
 618.233.5877 phone
 618.233.5977 fax
 www.kaskasiaeng.com

Kaskaskia
 Engineering Group, LLC

PROFESSIONAL REGISTRATIONS
 Illinois Professional Design Firm
 Professional Engineering Group

REV.	DATE	DESCRIP
△		
△		

SHEET TITLE:
CROSS SECTIONS

PROJECT TITLE:
**MCCLINTOCK AVE. STREET IMPROVEMENTS
 CITY OF BELLEVILLE
 ST. CLAIR COUNTY, IL**

DESIGNED BY:	TJR	SHEET
DRAWN BY:	JLT	72
CHECKED BY:	LDC	
DATE OF PRELIMINARY:	03/29/2013	
DATE OF FINAL:	05/24/2013	
SHEET NO. 72 OF 72 SHEETS		
PROJECT NUMBER	11-1041	