

INDEX OF SHEETS

08-02-2019 LETTING ITEM 010

**STATE OF ILLINOIS
DEPARTMENT OF TRANSPORTATION**

F.A.P. F.A.S. RTE	SECTION	COUNTY	TOTAL SHEETS	SHEET NO.
71 340	(108,109)CR	FORD	11	1
ILLINOIS			CONTRACT NO. 66J58	

1. COVER SHEET
2. GENERAL NOTES
- 3 - 4. SUMMARY OF QUANTITIES
5. TYPICAL SECTION
6. SCHEDULES
7. CULVERT DETAILS - LOCATION 1
8. CULVERT DETAILS - LOCATION 2
- 9 - 10. CLASS B PATCH DETAILS
11. DETAILS

STANDARDS

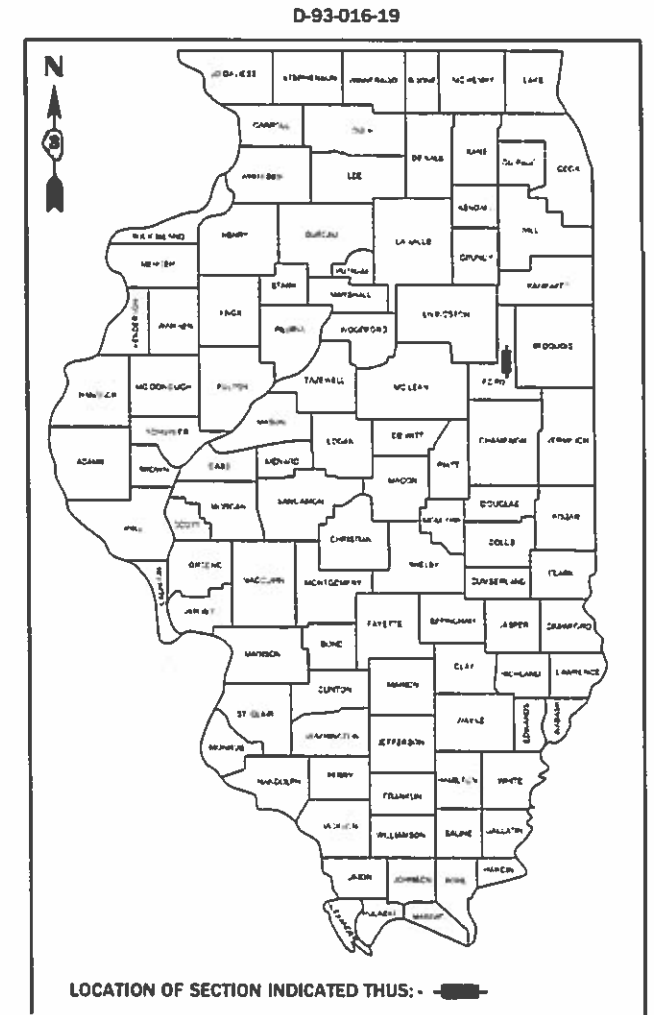
000001-07	STANDARD SYMBOLS, ABBREVIATIONS AND PATTERNS
001006	DECIMAL OF AN INCH AND OF A FOOT
542301-03	PRECAST REINFORCED CONCRETE FLARED END SECTION
542706-03	PRECAST REINFORCED CONCRETE ELLIPTICAL FLARED END SECTION
701001-02	OFF-ROAD OPERATIONS 2L, 2W, MORE THAN 15' (4.5 m) AWAY
701006-05	OFF-ROAD OPERATIONS 2L, 2W, 15' (4.5 m) TO 24" (600 mm) FROM PAVEMENT EDGE
701201-05	LANE CLOSURE, 2L, 2W, DAY ONLY, FOR SPEEDS ≥ 45 MPH
701301-04	LANE CLOSURE, 2L, 2W, SHORT TIME OPERATIONS
701901-06	TRAFFIC CONTROL DEVICES

PROPOSED HIGHWAY PLANS

**F.A.P. 71/F.A.S. 340 (IL 115)
SECTION (108,109)CR
PROJECT**

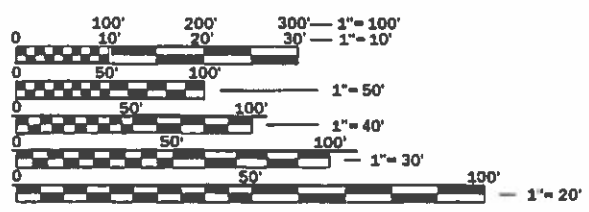
**CULVERT REPLACEMENT
FORD COUNTY**

C-93-036-19



LOCATION 1
F.A.P. 71 (IL 115)
STA. 4+40
(JUST SOUTH OF TRACKS)
18" CMP REMOVAL & 18" RCCP REPLACEMENT

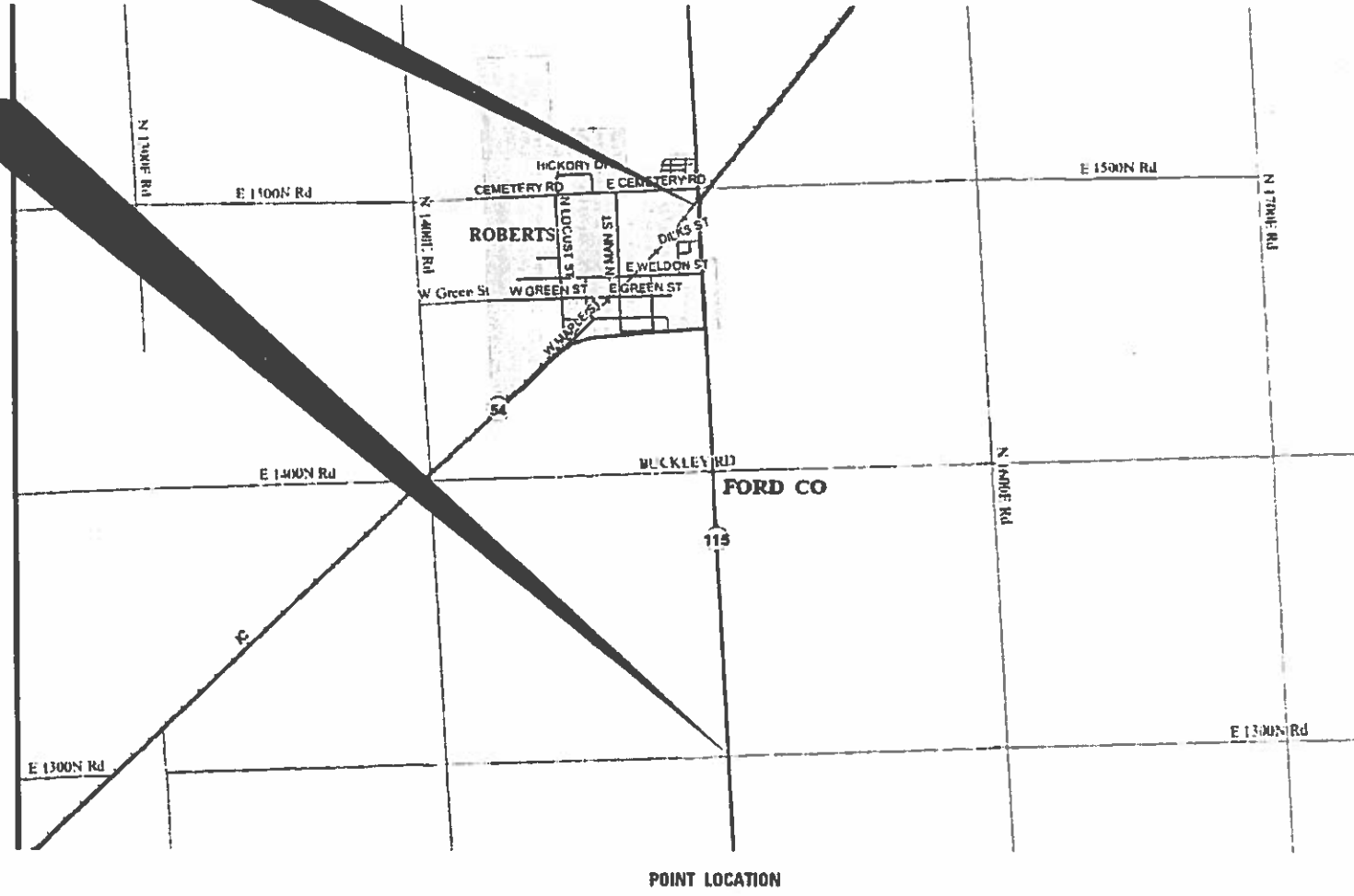
LOCATION 2
F.A.S. 340 (IL 115)
STA. 99+90
(NO. SIDE OF 1300N RD INTERSECTION)
2'x1.5" CONCRETE BOX CULVERT REMOVAL
& 24" RCCP ELLIPTICAL REPLACEMENT



FULL SIZE PLANS HAVE BEEN PREPARED USING STANDARD ENGINEERING SCALES. REDUCED SIZED PLANS WILL NOT CONFORM TO STANDARD SCALES. IN MAKING MEASUREMENTS ON REDUCED PLANS, THE ABOVE SCALES MAY BE USED.

J.U.L.I.E.
JOINT UTILITY LOCATION INFORMATION FOR EXCAVATION
1-800-892-0123
OR 811

PROJECT ENGINEER JOE KANNEL P.E.
UNIT CHIEF RON WOODSHANK
DISTRICT 3 NO. (815) 434-6131
CONTRACT NO. 66J58



POINT LOCATION

FUNCTIONAL CLASSIFICATION

RURAL MAJOR COLLECTOR F.A.P. ROUTE 71 (IL 115) 2017 ADT = 1850	RURAL MAJOR COLLECTOR F.A.S. ROUTE 340 (IL 115) 2017 ADT = 1050
P.V. 79.57% S.U. 7.0% M.U. 13.5%	P.V. 83.8% S.U. 4.8% M.U. 11.4%

STATE OF ILLINOIS
DEPARTMENT OF TRANSPORTATION

SUBMITTED *[Signature]* 2019
REGIONAL ENGINEER

[Signature] June 28, 2019
ENGINEER OF DESIGN AND ENVIRONMENT

[Signature] June 29, 2019
DIRECTOR OF HIGHWAYS PROJECT IMPLEMENTATION

**PRINTED BY THE AUTHORITY
OF THE STATE OF ILLINOIS**

GENERAL NOTES

PLAN DIMENSIONS AND DETAILS RELATIVE TO EXISTING PLANS ARE SUBJECT TO NOMINAL CONSTRUCTION VARIATIONS. THE CONTRACTOR SHALL FIELD VERIFY EXISTING DIMENSIONS AND DETAILS AFFECTING NEW CONSTRUCTION AND MAKE NECESSARY APPROVED ADJUSTMENTS PRIOR TO CONSTRUCTION OR ORDERING OF MATERIALS. SUCH VARIATIONS SHALL NOT BE CAUSE FOR ADDITIONAL COMPENSATION FOR A CHANGE IN SCOPE OF WORK; HOWEVER, THE CONTRACTOR WILL BE PAID FOR THE QUANTITY ACTUALLY FURNISHED AT THE UNIT PRICE BID FOR THE WORK.

EXCEPT AS NOTED ON THE PLANS, PAVEMENT GRADES SHOWN ARE AT THE TOP OF PAVEMENT SURFACES.

BEFORE ORDERING PIPE CULVERTS OR PIPE DRAINS, THE CONTRACTOR SHALL CONSULT THE ENGINEER FOR EXACT LENGTHS.

FOR STABILIZATION, ALL TYPE III BARRICADES WILL REQUIRE A MINIMUM OF FOUR SAND BAGS PER BARRICADE.

PERMANENT SEEDING WILL NOT BE PERMITTED AT ANY TIME WHEN THE GROUND IS FROZEN, WET, OR IN AN UNTILLABLE CONDITION.

THE FINISHED EARTHWORK SHALL HAVE A VEGETATION SUSTAINING SOIL COVERING THE TOP FOUR INCHES (100 MILLIMETERS) IN AREAS TO BE SEEDED OR SODDED. THE VEGETATION SUSTAINING SOIL REQUIRED WILL NOT BE PAID FOR SEPARATELY BUT WILL BE INCLUDED IN THE COST OF FURNISHED EXCAVATION.

ALL ELEVATIONS REFERRING TO U.S.G.S. MEAN SEA LEVEL DATUM.

ABANDONED UNDERGROUND UTILITIES THAT CONFLICT WITH CONSTRUCTION SHALL BE DISPOSED OF OUTSIDE THE LIMITS OF THE RIGHT OF WAY ACCORDING TO ARTICLE 202.03 OF THE STANDARD SPECIFICATIONS AND AS DIRECTED BY THE ENGINEER. THIS WORK WILL NOT BE PAID FOR SEPARATELY, BUT WILL BE INCLUDED IN THE COST OF EARTH EXCAVATION.

THE FOLLOWING RATES OF APPLICATION HAVE BEEN USED IN CALCULATING PLAN QUANTITIES:

GRANULAR MATERIALS	2.05	TONS / CU YD
--------------------	------	--------------

COMMITMENTS

STATE OF ILLINOIS
DEPARTMENT OF TRANSPORTATION
DISTRICT THREE
AS BUILT INFORMATION

SUPERVISING CONSTRUCTION FIELD ENGINEER

RESIDENT ENGINEER / TECHNICIAN

START & END DATES
OF CONSTRUCTION:

INSPECTORS:

STATE OF ILLINOIS
DEPARTMENT OF TRANSPORTATION
DISTRICT THREE

PREPARED BY: David Beirick (e)
DISTRICT STUDIES & PLANS ENGINEER

DATE: 05/24/19

EXAMINED BY: [Signature]
DISTRICT CONSTRUCTION ENGINEER
[Signature]
DISTRICT MATERIALS ENGINEER

[Signature]
DISTRICT OPERATIONS ENGINEER

FILE NAME =	USER NAME = woodshankr	DESIGNED - RW	REVISED -
pw:\planroom.dot\illinois.gov\PW\DOT\Documents\DOT	Office\District 3\Projects\I366J58\CADD\asb\66J58-cover.dgn	DRAWN - RW	REVISED -
Default	PLOT SCALE = 100.0000 / in.	CHECKED - EP	REVISED -
	PLOT DATE = 4/23/2019	DATE - 8/27/2018	REVISED -

STATE OF ILLINOIS
DEPARTMENT OF TRANSPORTATION

GENERAL NOTES

SCALE: SHEET 1 OF 1 SHEETS STA. TO STA.

F.A.P. F.A.S. RTE.	SECTION	COUNTY	TOTAL SHEETS	SHEET NO.
71.340	(108,109)CR	FORD	11	2
CONTRACT NO. 66J58				
ILLINOIS FED. AID PROJECT				

CODE NO.	ITEM	UNIT	TOTAL QUANTITY	CONSTRUCTION CODE
				CONTRACT MAINTANCE
				100% STATE
				PIPE CULVERT
				0004
				RURAL
20400800	FURNISHED EXCAVATION	CU YD	5.2	5.2
20800150	TRENCH BACKFILL	CU YD	12.6	12.6
44201019	CLASS B PATCHES, TYPE II, 14 INCH	SQ YD	32	32
44201299	DOWEL BARS 1 1/2"	EACH	80	80
44213200	SAW CUTS	FOOT	156	156
48101200	AGGREGATE SHOULDERS, TYPE B	TON	2	2
50105220	PIPE CULVERT REMOVAL	FOOT	50	50
54213663	PRECAST REINFORCED CONCRETE FLARED END SECTIONS 18"	EACH	2	2
54214509	PRECAST REINFORCED CONCRETE FLARED END SECTIONS, EQUIVALENT ROUND-SIZE 24"	EACH	3	3
542A0223	PIPE CULVERTS, CLASS A, TYPE 1 18"	FOOT	38	38
542A5479	PIPE CULVERTS, CLASS A, TYPE 1 EQUIVALENT ROUND-SIZE 24"	FOOT	38	38
63500310	REMOVE AND REINSTALL DELINEATORS	EACH	4	4
* 66900200	NON-SPECIAL WASTE DISPOSAL	CU YD	20	20
* 66900530	SOIL DISPOSAL ANALYSIS	EACH	2	2

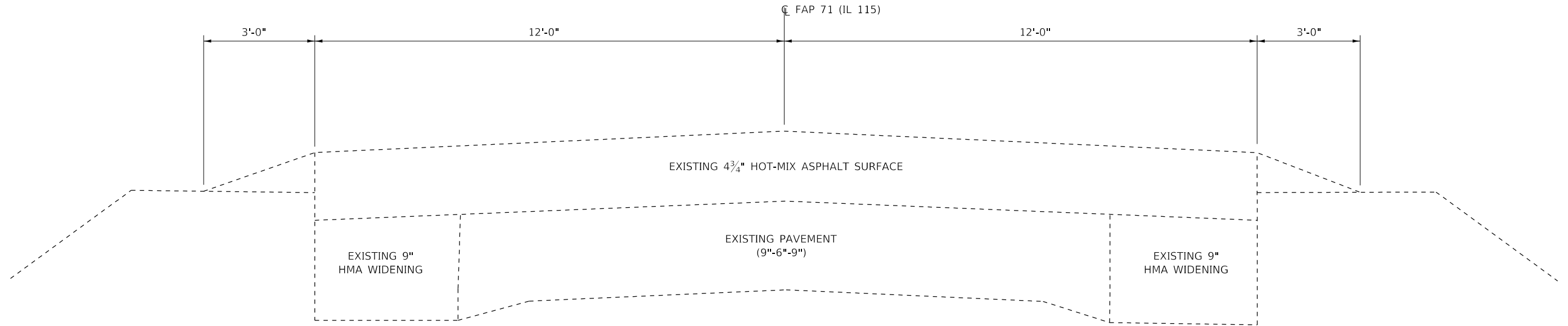
*= SPECIALTY ITEM

FILE NAME =	USER NAME = woodshank1	DESIGNED - RW	REVISED -	STATE OF ILLINOIS DEPARTMENT OF TRANSPORTATION	SUMMARY OF QUANTITIES	F.A.P. F.A.S. RTE.	SECTION	COUNTY	TOTAL SHEETS	SHEET NO.	
pw:\planroom\dot\illinois.gov\PWIDOT\Documents\IDOT	Office\District 3\Projects\0366J58\CADData\66J58-cover.dgn	DRAWN - RW	REVISED -			71,340	(108,109)CR	FORD	11	3	
Default	PLOT SCALE = 100,0000' / in.	CHECKED - EP	REVISED -			CONTRACT NO. 66J58					
	PLOT DATE = 4/29/2019	DATE - 8/27/2018	REVISED -			SCALE:	SHEET 1 OF 2 SHEETS	STA.	TO STA.	ILLINOIS	FED. AID PROJECT

CODE NO.	ITEM	UNIT	TOTAL QUANTITY	CONSTRUCTION CODE
				CONTRACT MAINTANCE
				100% STATE
				PIPE CULVERT
				0004
				RURAL
* 66901001	REGULATED SUBSTANCES PRE-CONSTRUCTION PLAN	LSUM	1	1
* 66901002	ON-SITE MONITORING OF REGULATED SUBSTANCES	CAL DA	2	2
* 66901003	REGULATED SUBSTANCES FINAL CONSTRUCTION REPORT	LSUM	1	1
67100100	MOBILIZATION	L SUM	1	1
70100450	TRAFFIC CONTROL AND PROTECTION, STANDARD 701201	L SUM	1	1
Z0030850	TEMPORARY INFORMATION SIGNING	SQ FT	42	42
X1200050	BOX CULVERT REMOVAL	FOOT	60	60

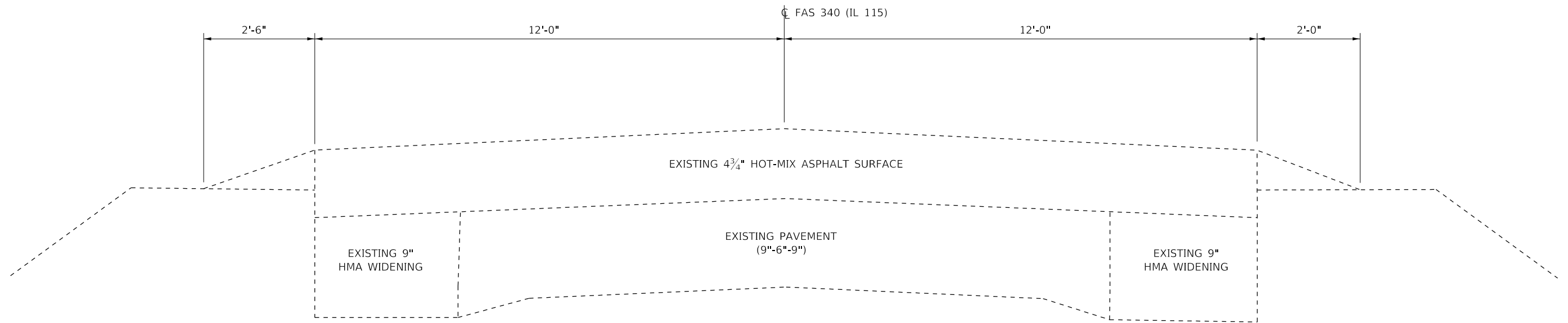
*= SPECIALTY ITEM

FILE NAME =	USER NAME = woodshank1	DESIGNED - RW	REVISED -	STATE OF ILLINOIS DEPARTMENT OF TRANSPORTATION	SUMMARY OF QUANTITIES	F.A.P. F.A.S. RTE.	SECTION	COUNTY	TOTAL SHEETS	SHEET NO.
pw:\planroom\dot\illinois.gov\PWIDOT\Documents\IDOT\Files\District 3\Projects\D366J58\CADData\66J58-cover.dgn	DRAWN - RW	REVISED -	71,340			(108,109)CR	FORD	11	4	
Default	PLOT SCALE = 100,0000' / in.	CHECKED - EP	REVISED -			CONTRACT NO. 66J58				
	PLOT DATE = 4/29/2019	DATE - 8/27/2018	REVISED -			SCALE:	SHEET 2 OF 2 SHEETS	STA. TO STA.	ILLINOIS FED. AID PROJECT	



TYPICAL SECTION

STA. 4+40
LOOKING SOUTH



TYPICAL SECTION

STA. 99+90
LOOKING SOUTH

FILE NAME =	USER NAME = woodshank1	DESIGNED - RW	REVISED -
p:\planroom\dot\illinois.gov\PWIDOT\Documents\IDOT\	Office\District 3\Projects\D366J58\CADData\66J58-cover.dgn	DRAWN - RW	REVISED -
Default	PLOT SCALE = 100.0000' / in.	CHECKED - EP	REVISED -
	PLOT DATE = 4/29/2019	DATE - 8/27/2018	REVISED -

STATE OF ILLINOIS
DEPARTMENT OF TRANSPORTATION

TYPICAL SECTION

SCALE: SHEET 1 OF 1 SHEETS STA. TO STA.

F.A.P. F.A.S. RTE.	SECTION	COUNTY	TOTAL SHEETS	SHEET NO.
71,340	(108,109)CR	FORD	11	5
CONTRACT NO. 66J58				
ILLINOIS		FED. AID PROJECT		

SCHEDULE - TRENCH BACKFILL

LOCATION	TRENCH BACKFILL
	CU. YD.
LOCATION 1	
STA. 4+40 LT	2.3
STA. 4+40 RT	2.3
LOCATION 2	
STA. 99+90 LT	4
STA. 99+90 RT	4
TOTAL	12.6

SCHEDULE - PATCHING

LOCATION	CLASS B PATCH TYPE II 14"	DOWEL BARS 1 1/2"	SAW CUTS
	SQ. YD.	EACH	FOOT
LOCATION 1			
STA. 4+40 LT	8	20	42
STA. 4+40 RT	8	20	36
LOCATION 2			
STA. 99+90 LT	8	20	42
STA. 99+90 RT	8	20	36
TOTAL	32	80	156

SCHEDULE - EXCAVATION

LOCATION	FURNISHED EXCAVATION
	CU. YD.
LOCATION 1	
STA. 4+40 LT	1.4
STA. 4+40 RT	1.4
LOCATION 2	
STA. 99+90 LT	1.2
STA. 99+90 RT	1.2
TOTAL	5.2

SCHEDULE - AGGREGATE SHOULDERS

LOCATION	AGGREGATE SHOULDERS TYPE B 4"
	TON
LOCATION 1	
STA. 4+40 LT	1
STA. 4+40 RT	1
LOCATION 2	
STA. 99+90 LT	1
STA. 99+90 RT	1
TOTAL	4

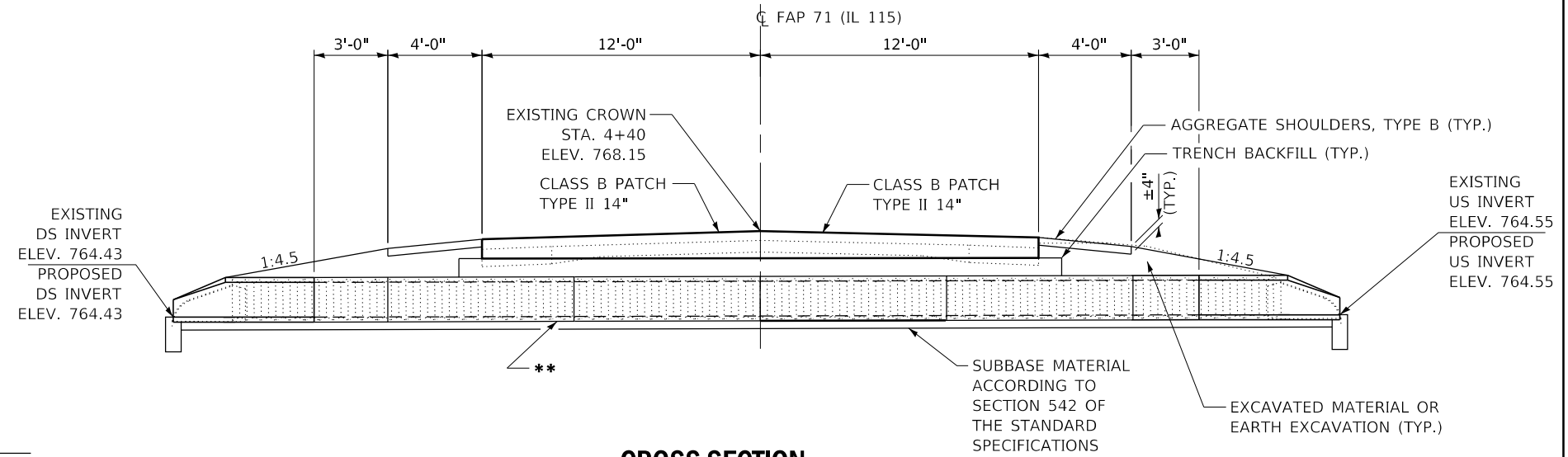
SCHEDULE - TRENCH BACKFILL

LOCATION	TRENCH BACKFILL
	CU. YD.
LOCATION 1	
STA. 4+40 LT	2.3
STA. 4+40 RT	2.3
LOCATION 2	
STA. 99+90 LT	4
STA. 99+90 RT	4
TOTAL	12.6

SCHEDULE - DRAINAGE

LOCATION	PIPE CULVERT REMOVAL	BOX CULVERT REMOVAL	PIPE CULVERT CLASS A TYPE 1 18"	PRECAST REINFORCED CONCRETE FLARED END SECTION 18"	PIPE CULVERT CLASS A TYPE 1 EQUIVALENT ROUND-SIZE 24"	PRECAST REINFORCED CONCRETE FLARED END SECTION 24"
	FOOT	FOOT	FOOT	FOOT	FOOT	FOOT
LOCATION 1						
STA. 4+40 LT	25		19	1		
STA. 4+40 RT	25		19	1		
LOCATION 2						
STA. 99+90 LT		30			19	1
STA. 99+90 RT		30			19	1
TOTAL	50	60	38	2	38	2

BM #1 - CUT "[I]" IN CENTER OF WEST HEADWALL. ELEV. 766.62



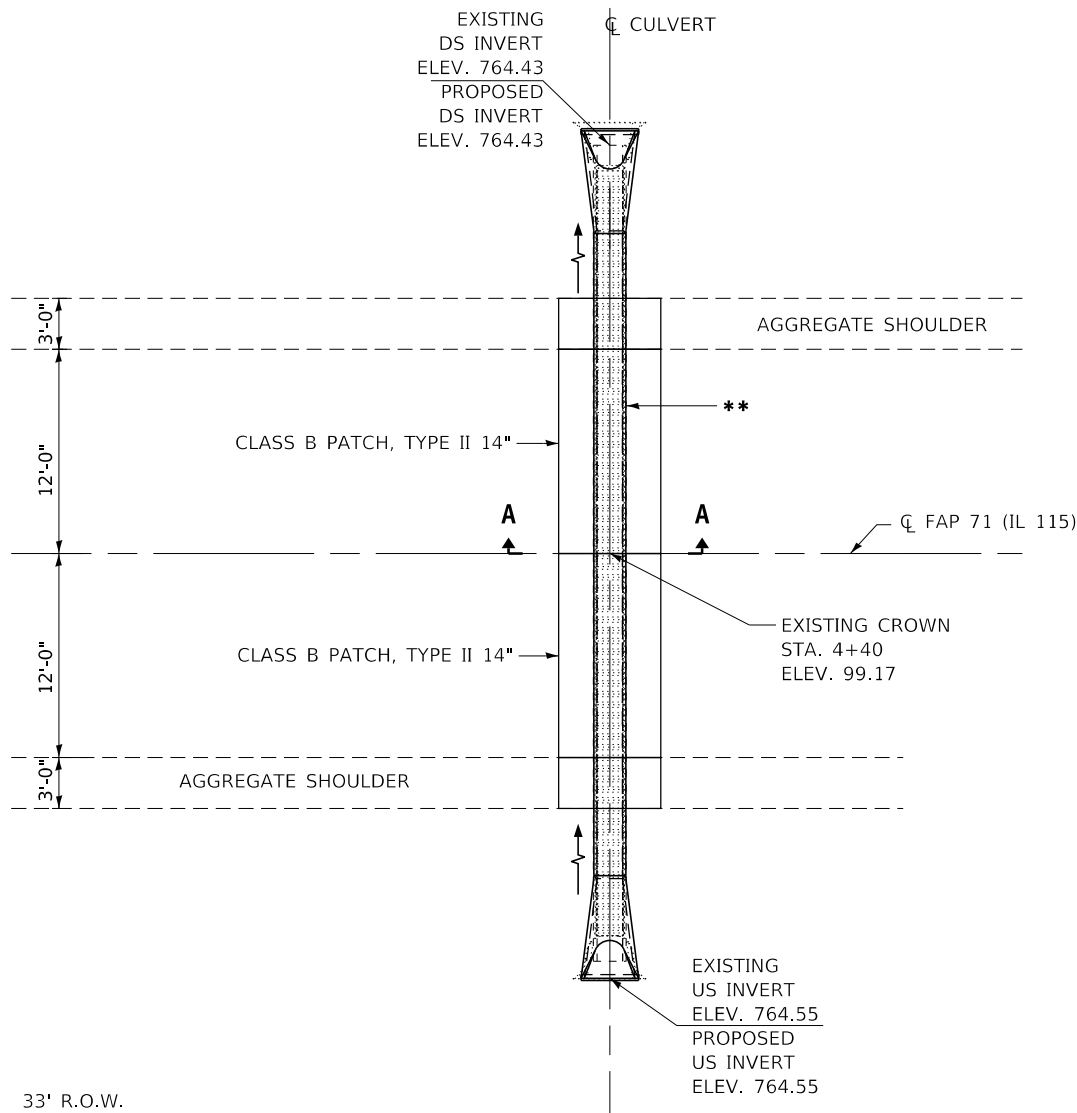
CROSS SECTION

STA. 4+40
LOOKING SOUTH

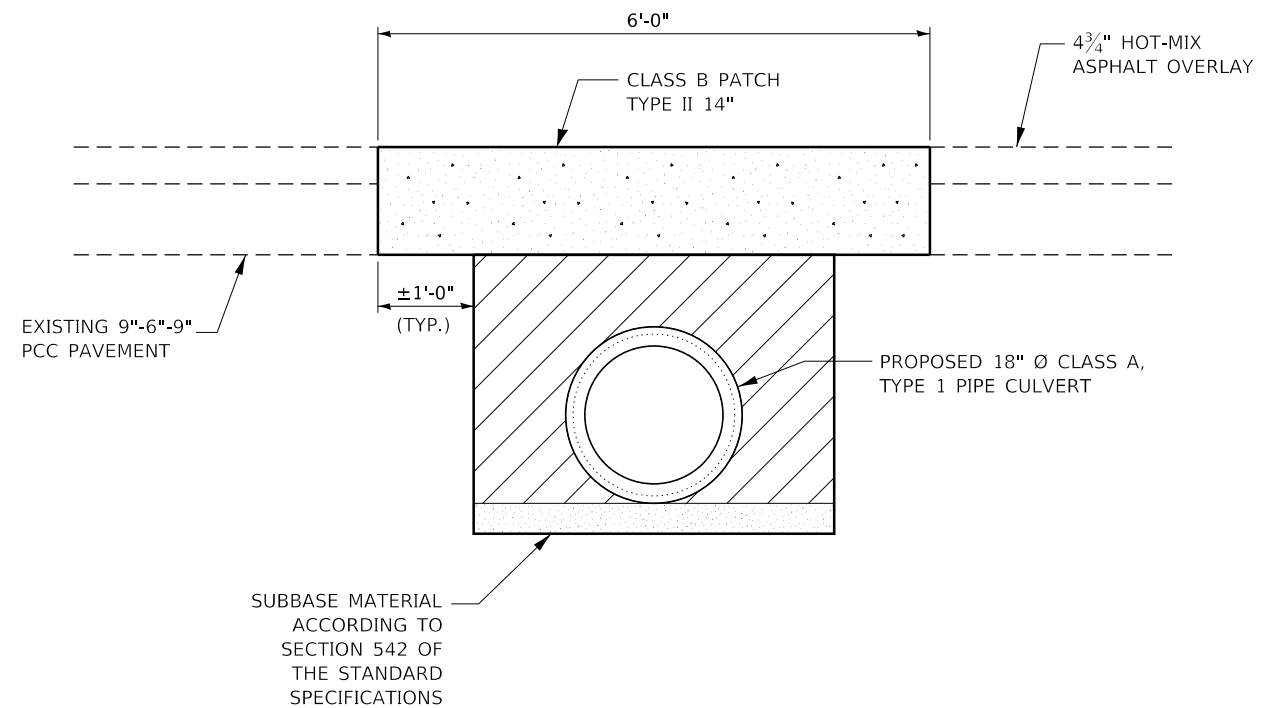
**EXISTING - EXISTING 45' - 18" Ø CORRUGATE METAL PIPE CULVERT INCLUDING METAL END SECTIONS.
PROPOSED - 38' - 18" Ø PIPE CULVERT, CLASS A, TYPE 1 WITH PRECAST CONCRETE FLARED END SECTIONS.



33' R.O.W.



PLAN
STA. 4+40



SECTION A-A

TRENCH BACKFILL

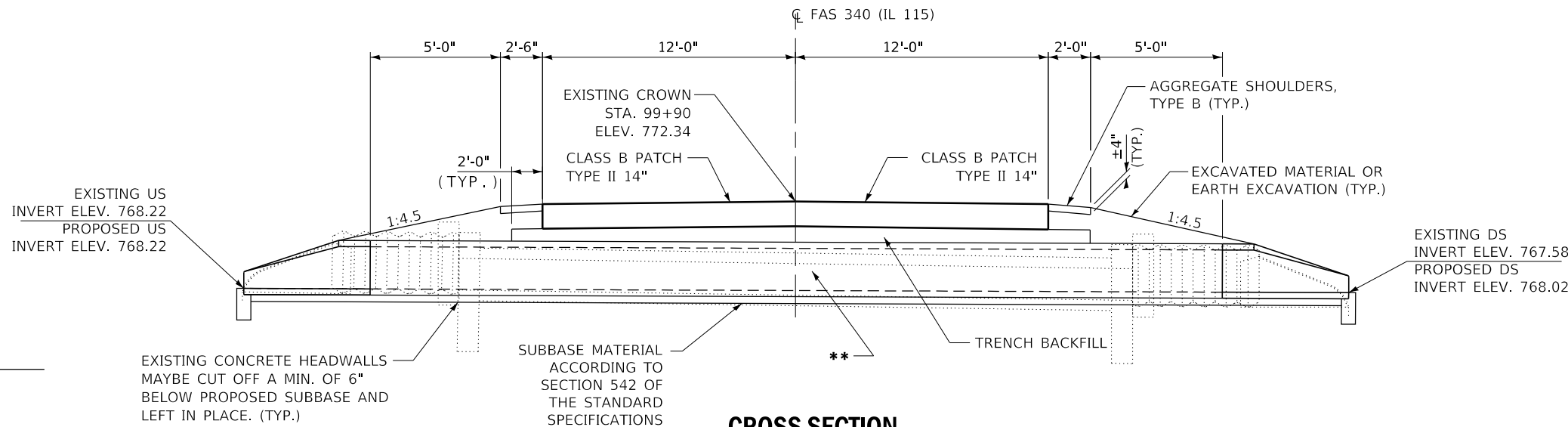
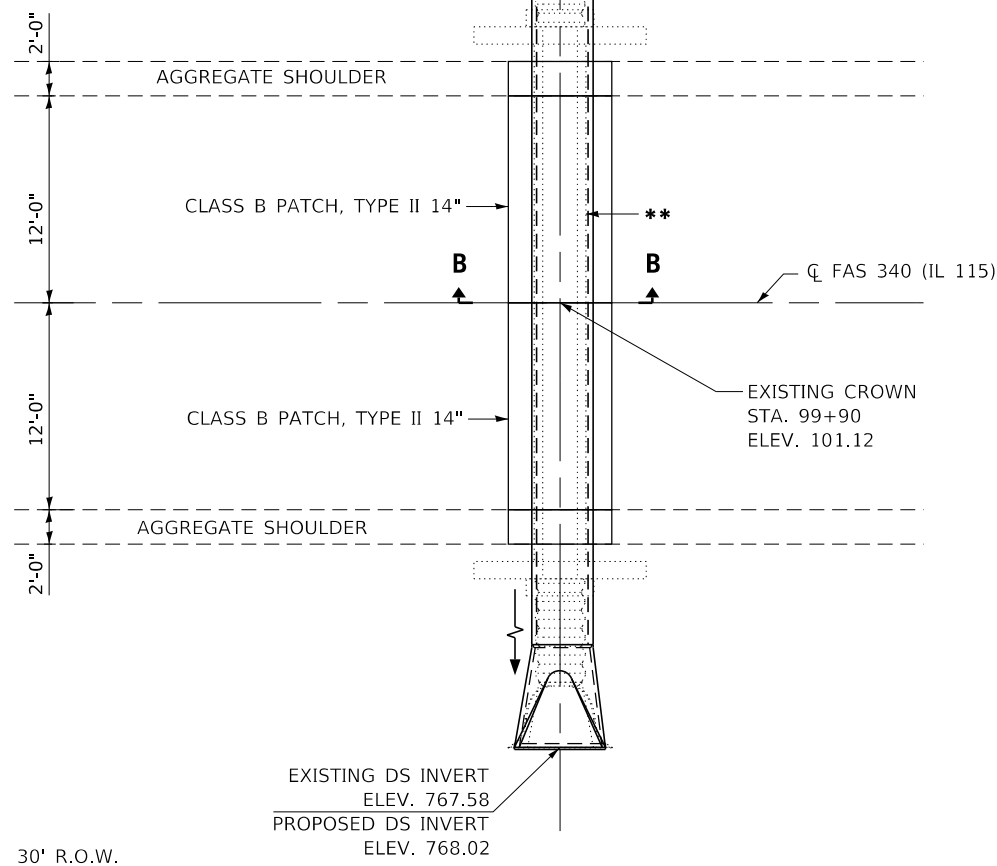
FILE NAME =	USER NAME = woodshank1	DESIGNED - RW	REVISED -	STATE OF ILLINOIS DEPARTMENT OF TRANSPORTATION	CULVERT DETAILS LOCATION 1 - STA 4+40	F.A.P. F.A.S. RTE.	SECTION	COUNTY	TOTAL SHEETS	SHEET NO.	
pw:\planroom\dot\illinois\gov\PWIDOT\Documents\IDOT\Office\District 3\Projects\D366J58\CADData\66J58-cover.dgn	PLOT SCALE = 100,0000' / in.	DRAWN - RW	REVISED -			71,340	(108,109)CR	FORD	11	7	
Default	PLOT DATE = 4/29/2019	CHECKED - EP	REVISED -			CONTRACT NO. 66J58					
		DATE - 8/27/2018	REVISED -			SCALE:	SHEET 1 OF 1 SHEETS	STA.	TO STA.	ILLINOIS FED. AID PROJECT	

BM #2- TOP OF R.O.W. MARKER IN SW QUADRANT. ELEV. 770.92



30' R.O.W.

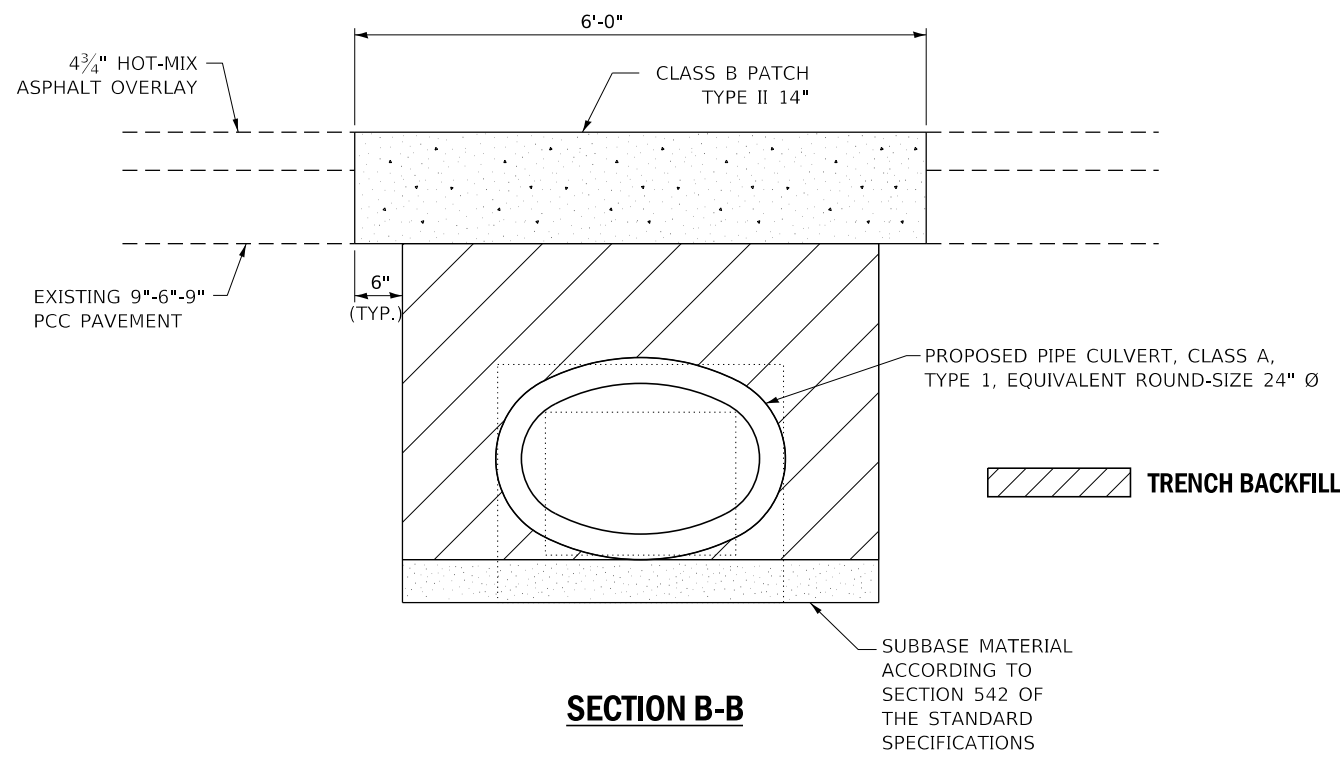
EXISTING DS INVERT
ELEV. 768.22
PROPOSED DS INVERT
ELEV. 768.22



CROSS SECTION
STA. 99+90
LOOKING SOUTH

**EXISTING - 45' - 3' X 2' CONCRETE BOX CULVERT WITH CAST-IN-PLACE CONCRETE HEADWALLS EXTENDED WITH 6' - 30" Ø CORRUGATED METAL PIPE CULVERT AND METAL END SECTIONS (EACH SIDE).

PROPOSED - 38' - REINFORCED CONCRETE CULVERT PIPE 24" Ø EQUIVALENT ROUND SIZE WITH PRECAST CONCRETE END SECTIONS.



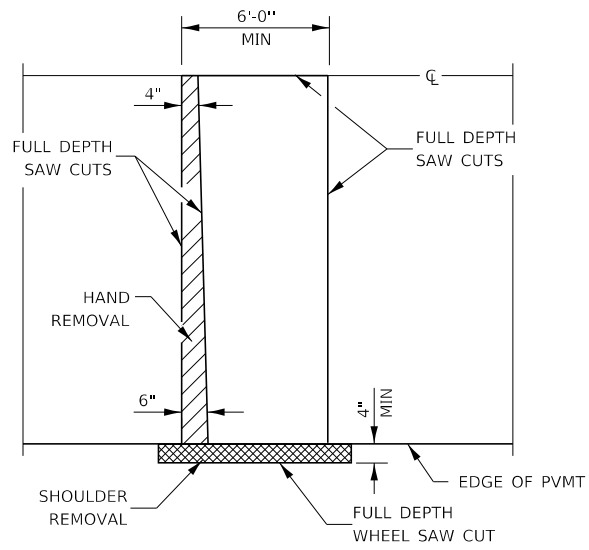
SECTION B-B

FILE NAME =	USER NAME = woodshank1	DESIGNED - RW	REVISED -
p:\p\planroom\dot\illinois\gov\PWDOT\Documents\IDOT\Office\District 3\Projects\D366J58\CADData\66J58-cover.dgn		DRAWN - RW	REVISED -
Default	PLOT SCALE = 100,0000 / 1in.	CHECKED - EP	REVISED -
	PLOT DATE = 4/29/2019	DATE - 8/27/2018	REVISED -

STATE OF ILLINOIS
DEPARTMENT OF TRANSPORTATION

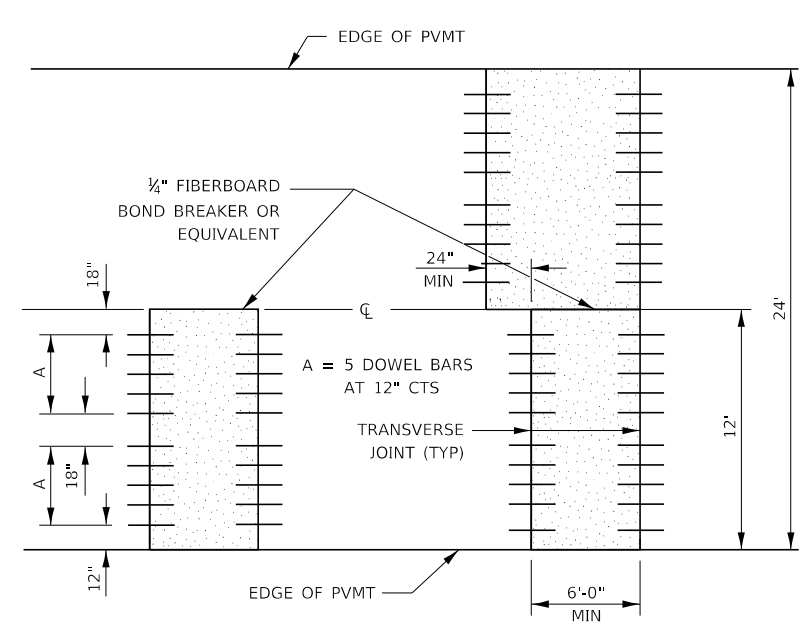
CULVERT DETAILS			
LOCATION 2 - STA 99+90			
SCALE:	SHEET 1	OF 1 SHEETS	STA. TO STA.

F.A.P. F.A.S. RTE.	SECTION	COUNTY	TOTAL SHEETS	SHEET NO.
71,340	(108,109)CR	FORD	11	8
CONTRACT NO. 66J58				
ILLINOIS FED. AID PROJECT				

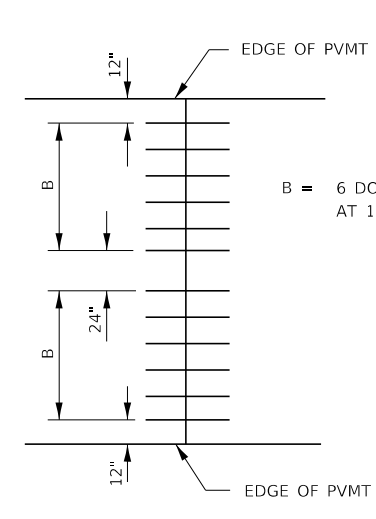


PAVEMENT SAWING DETAIL

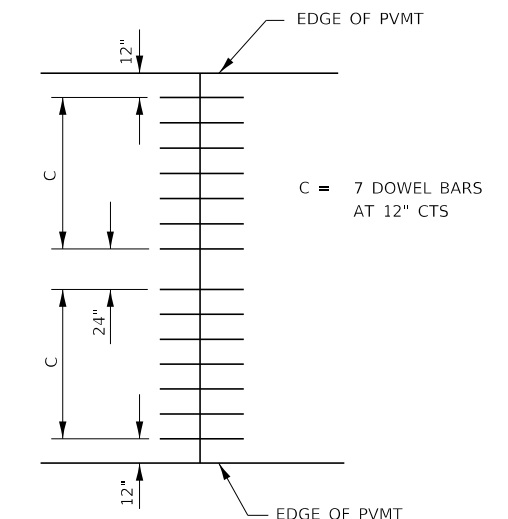
(HMA SHOULDER)



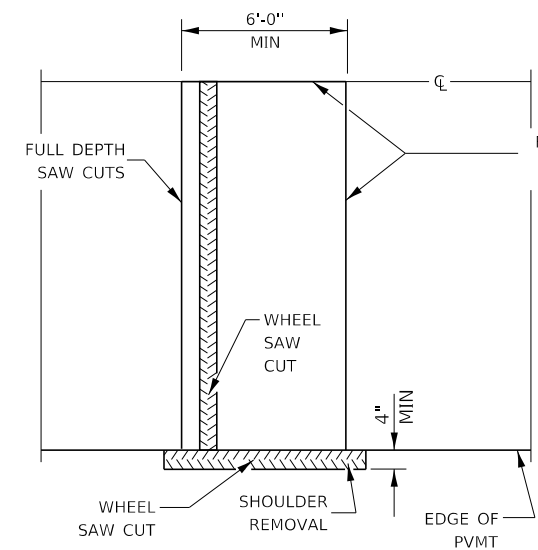
12' WIDE LANES



14' WIDE RAMP

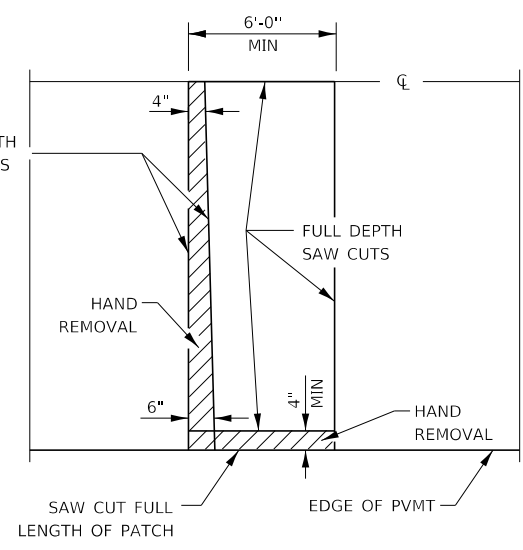


16' WIDE RAMP



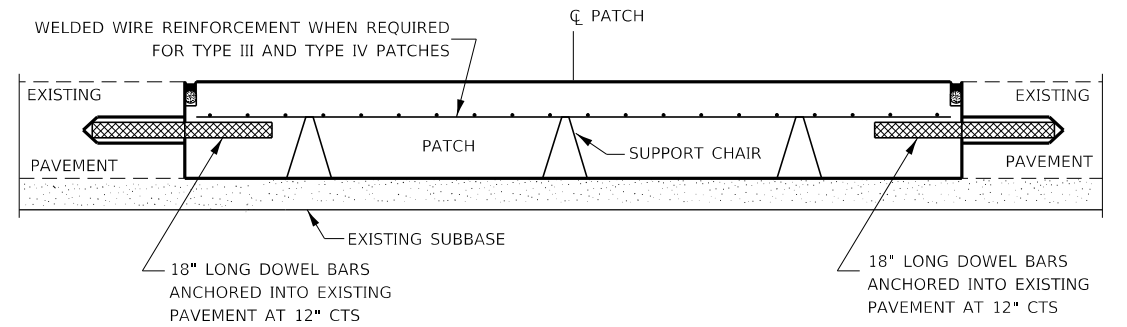
ALTERNATE SAWING DETAIL

(HMA SHOULDER)

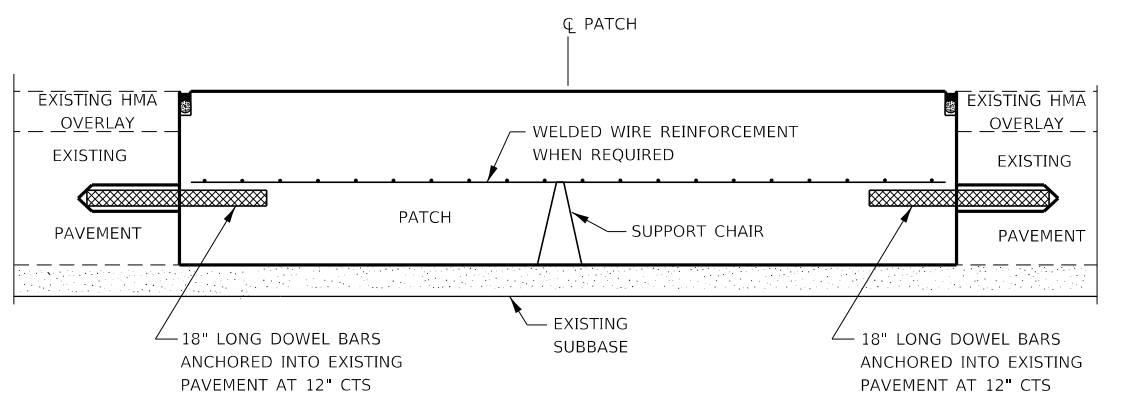


PAVEMENT SAWING DETAIL

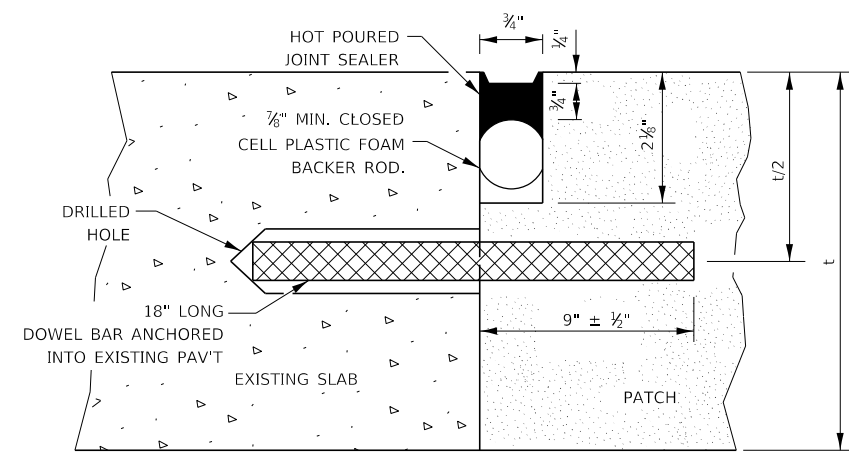
(PCC SHOULDER)



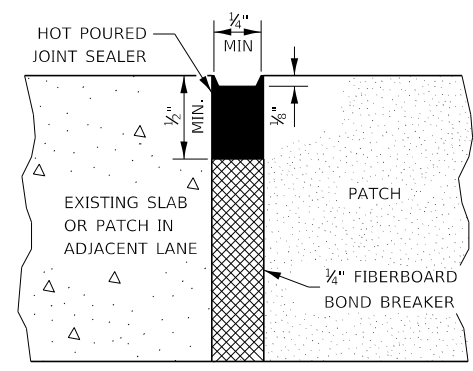
PATCHING WITHOUT HMA OVERLAY



PATCHING WITH HMA OVERLAY



TRANSVERSE JOINT

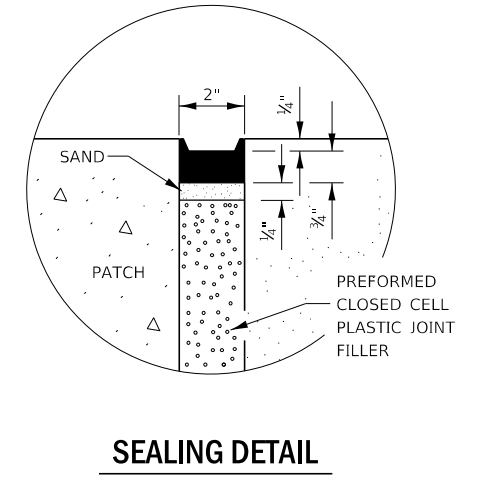
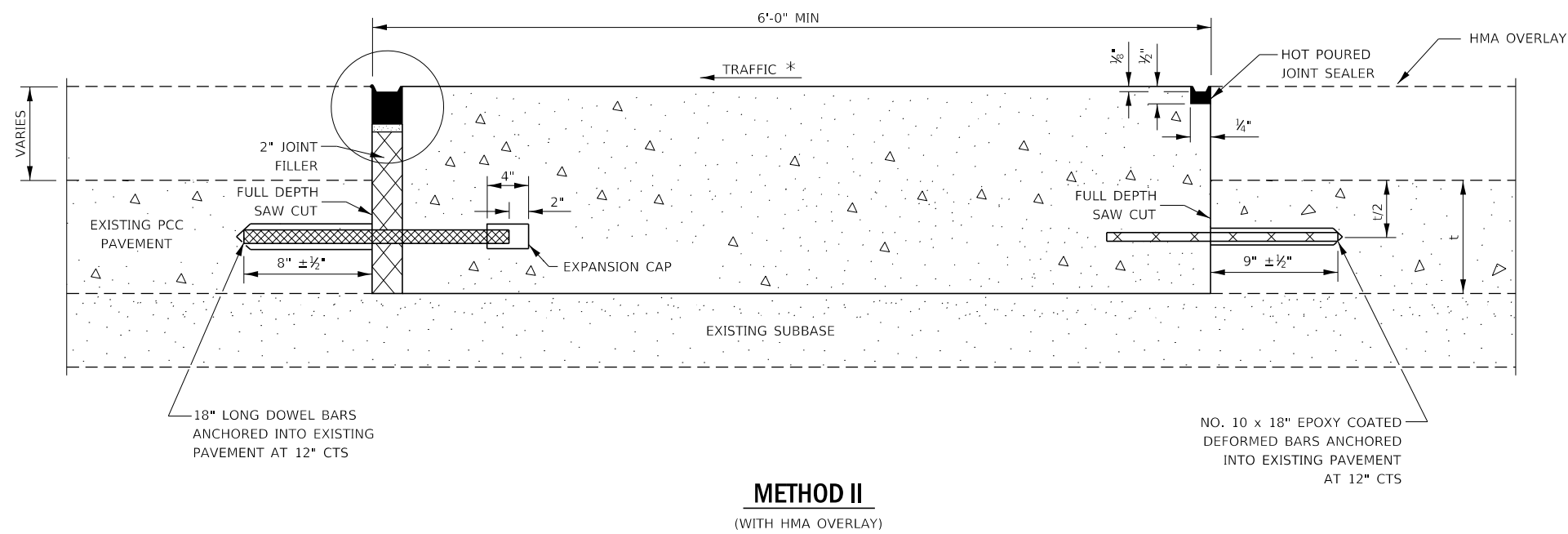
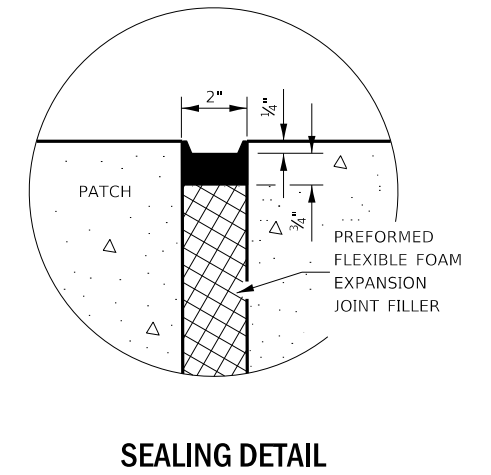
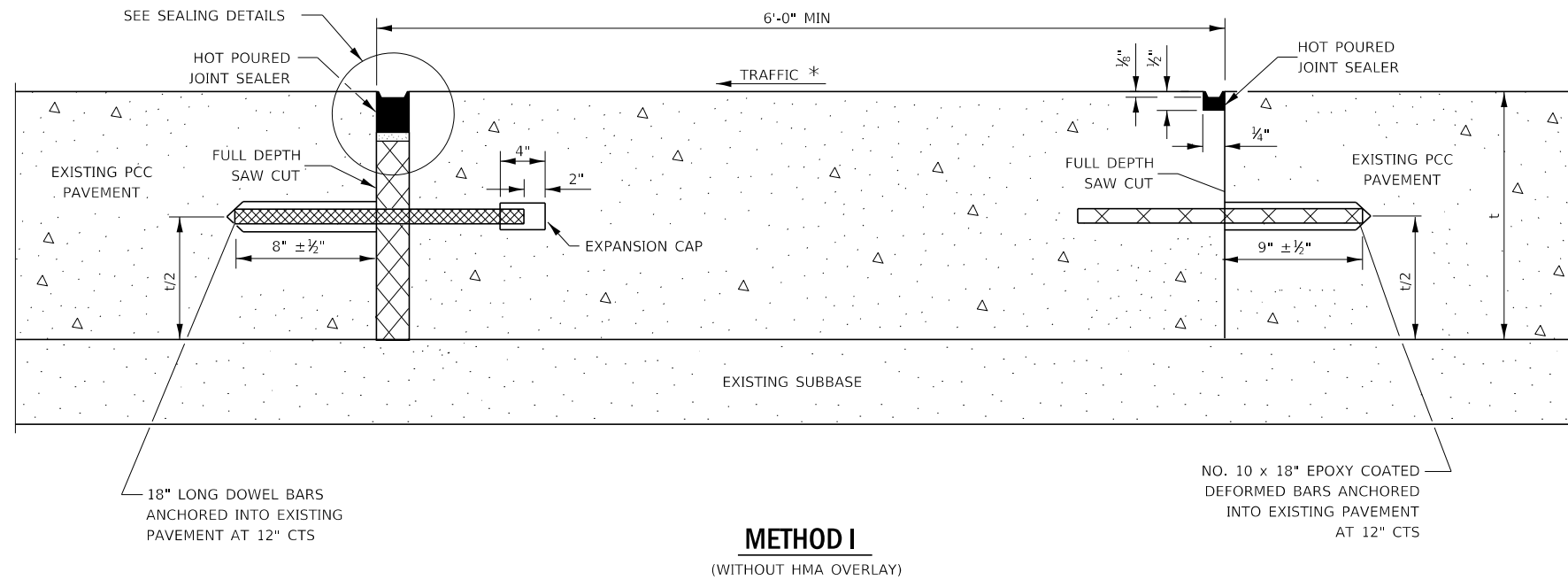


CENTERLINE JOINT

DOWEL BAR TABLE		
PAVEMENT THICKNESS	DOWEL BAR DIAMETER	HOLE DIAMETER
8" OR GREATER	1 1/2"	1 3/8"
7" THRU 7.99"	1 1/4"	1 3/8"
LESS THAN 7"	1"	1 1/8"

GENERAL NOTES

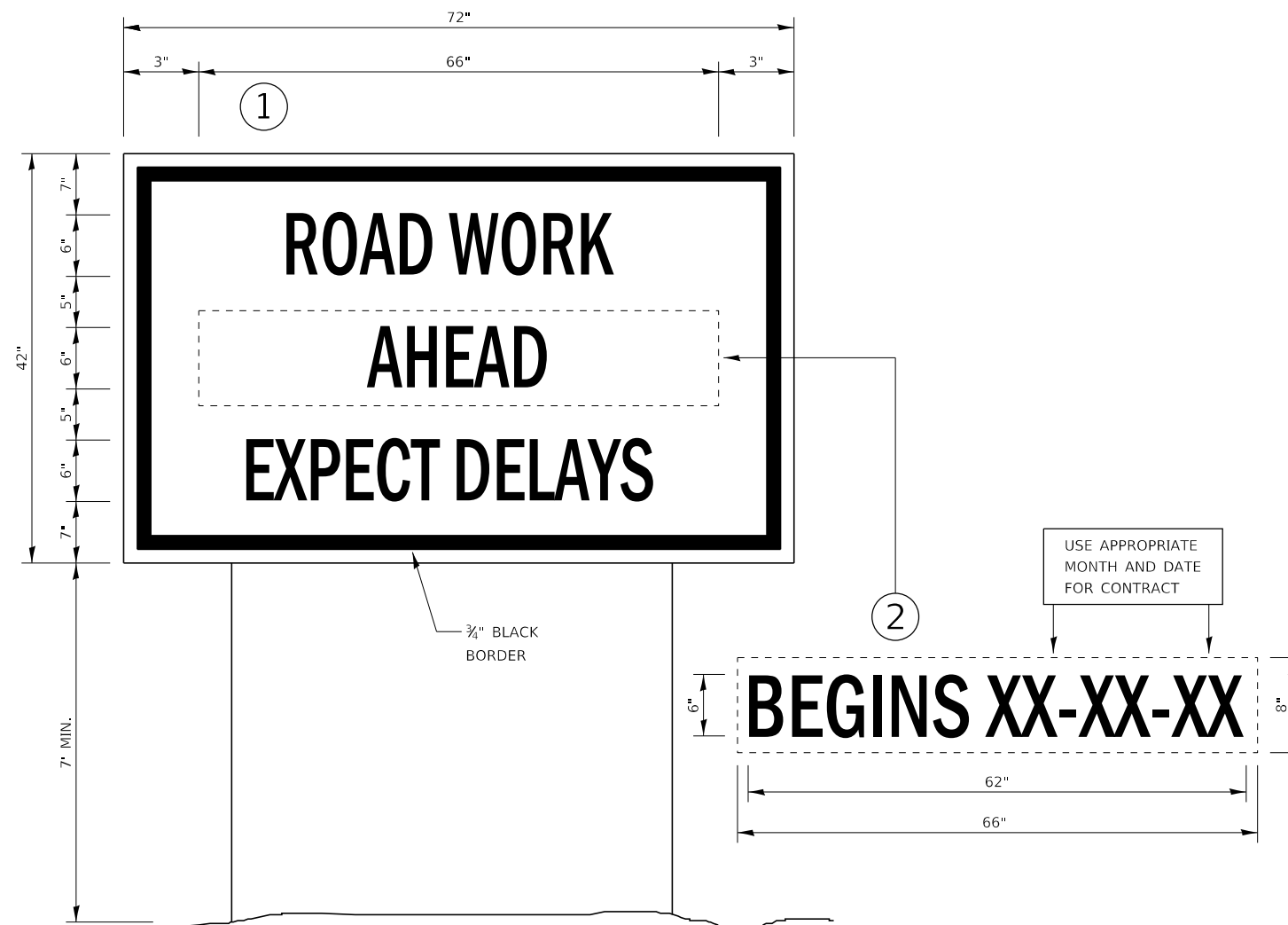
THE TRANSVERSE JOINTS FOR CLASS B PATCHES SHALL ALIGN WITH JOINTS OR CRACKS IN THE ADJACENT LANE WHENEVER POSSIBLE.
SEE STANDARD 420701 FOR DETAILS OF PAVEMENT WELDED WIRE REINFORCEMENT.



NOTE

* WHEN RE-ESTABLISHING A TRANSVERSE EXPANSION JOINT ON A TWO-WAY ROAD, REVERSE THE ORIENTATION OF THE DOWEL BARS WITH RESPECT TO TRAFFIC FOR ONE OF THE PATCHES SUCH THAT THE JOINT WILL BE CONTINUOUS ACROSS BOTH LANES.

FILE NAME =	USER NAME = woodshank1	DESIGNED - RW	REVISED -	STATE OF ILLINOIS DEPARTMENT OF TRANSPORTATION	CLASS B PATCHING DETAILS			F.A.P. F.A.S. RTE.	SECTION	COUNTY	TOTAL SHEETS	SHEET NO.
pw:\planroom\dot\illinois\gov\PWIDOT\Documents\IDOT\Files\District 3\Projects\D366J58\CADData\66J58-cover.dgn	PLOT SCALE = 100,0000' / in.	DRAWN - RW	REVISED -					71,340	(108,109)CR	FORD	11	10
Default	PLOT DATE = 4/29/2019	CHECKED - EP	REVISED -		SCALE: SHEET 2 OF 2 SHEETS STA. TO STA.			CONTRACT NO. 66J58				
		DATE - 8/27/2018	REVISED -		ILLINOIS FED. AID PROJECT							



TEMPORARY INFORMATION SIGNING

NOTES:

1. USE 6" D BLACK LETTERING ON FLUORESCENT ORANGE BACKGROUND.
2. ERECT SIGNS AT LOCATIONS IN ADVANCE OF THE "ROAD CONSTRUCTION AHEAD" SIGNS AS DIRECTED BY THE ENGINEER.
3. ERECT SIGN ① WITH INSTALLED PANEL ② A MINIMUM OF ONE WEEK PRIOR TO THE START OF THE LANE CLOSURE.
4. REMOVE PANEL ② ON THAT DATE.
5. SEE SPECIAL PROVISION "TEMPORARY INFORMATION SIGNING" FOR ADDITIONAL INFORMATION.
6. WILL BE PAID FOR PER SQ FT AS "TEMPORARY INFORMATION SIGNING". EACH SIGN = 21 SQ FT AND THE DATE PANEL ② WILL NOT BE MEASURED SEPARATELY FOR PAYMENT.

FILE NAME =	USER NAME = woodshank1	DESIGNED - RW	REVISED -	STATE OF ILLINOIS DEPARTMENT OF TRANSPORTATION	DETAILS			F.A.P. F.A.S. RTE.	SECTION	COUNTY	TOTAL SHEETS	SHEET NO.
pw:\planroom\dot\illinois\gov\PWIDOT\Documents\IDOT\offices\District 3\Projects\0366J58\CADData\06J58-cover.dgn	DRAWN - RW	REVISED -	71,340					(108,109)CR	FORD	11	11	
Default	PLOT SCALE = 100,0000' / in.	CHECKED - EP	REVISED -		CONTRACT NO. 66J58			ILLINOIS	FED. AID PROJECT			
	PLOT DATE = 4/29/2019	DATE - 8/27/2018	REVISED -		SCALE:	SHEET 1	OF 1	SHEETS	STA.	TO STA.		