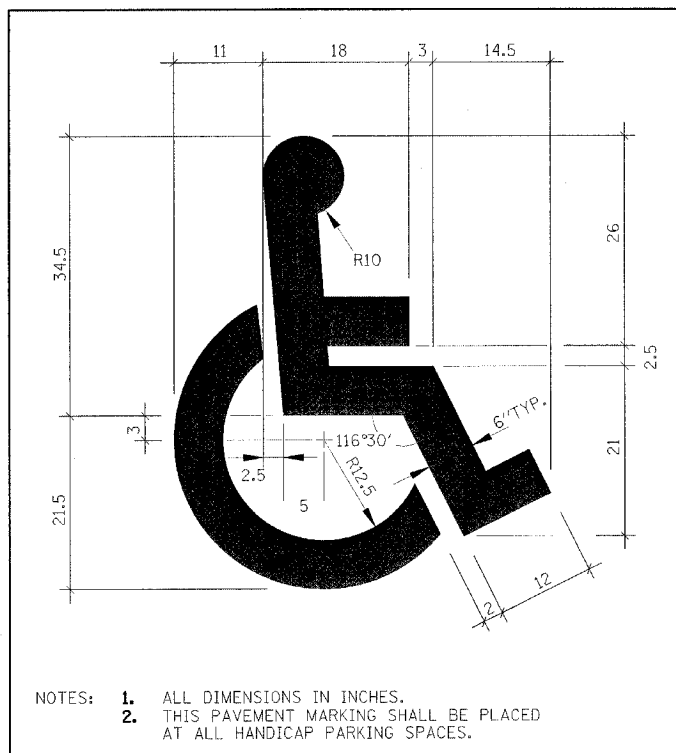
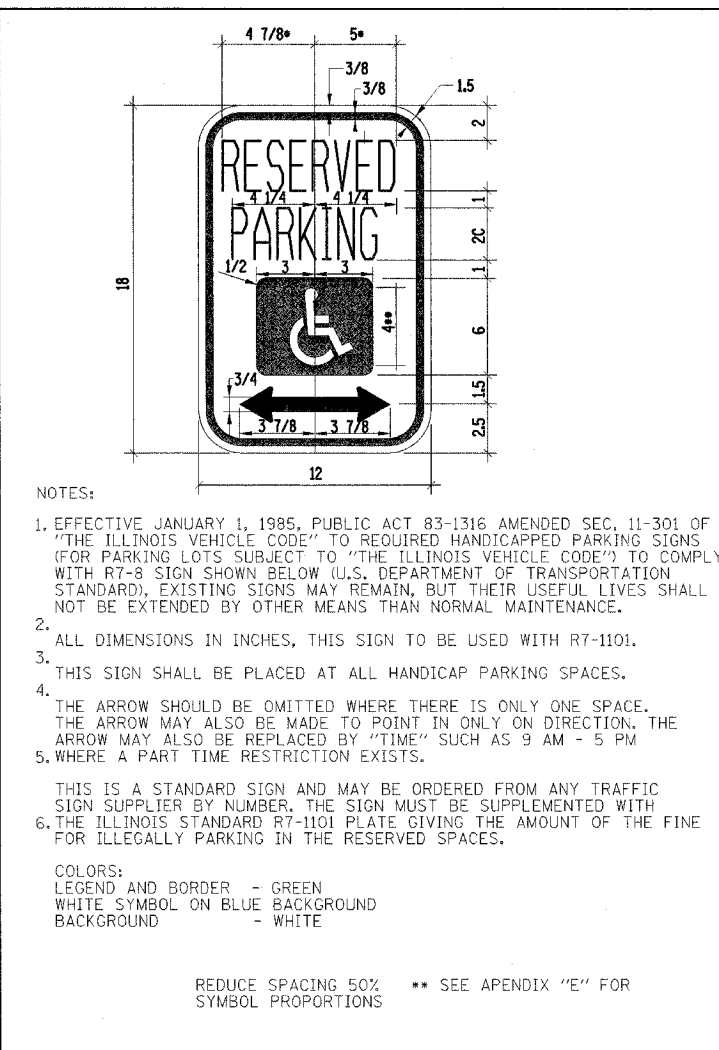


F.A. RTE.	SECTION	COUNTY	TOTAL SHEETS	SHEET NO.
		POPE	60	25

STA. TO STA.
 FED. ROAD DIST. NO. ILLINOIS FED. AID PROJECT
 IDNR PROJECT NO. 05-06-008



NOTES: 1. ALL DIMENSIONS IN INCHES.
 2. THIS PAVEMENT MARKING SHALL BE PLACED AT ALL HANDICAP PARKING SPACES.

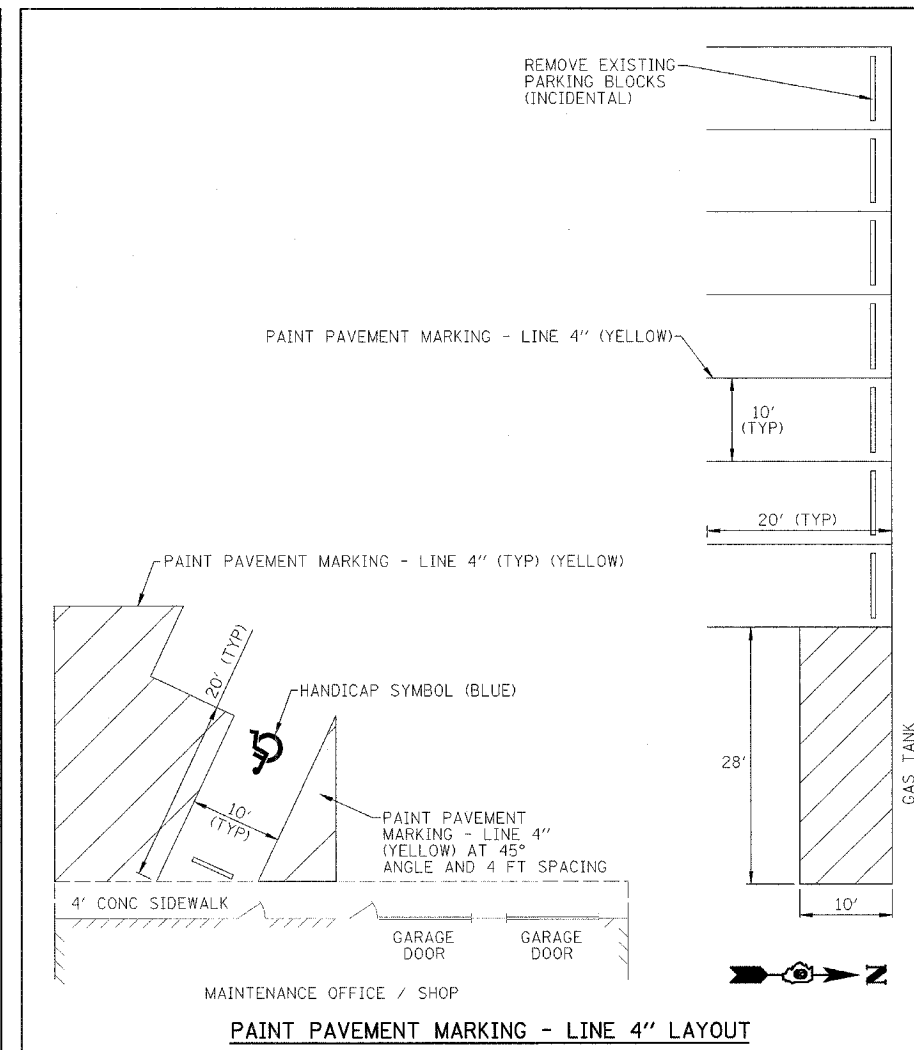


NOTES:
 1. EFFECTIVE JANUARY 1, 1985, PUBLIC ACT 83-1316 AMENDED SEC. 11-301 OF "THE ILLINOIS VEHICLE CODE" TO REQUIRE HANDICAPPED PARKING SIGNS (FOR PARKING LOTS SUBJECT TO "THE ILLINOIS VEHICLE CODE") TO COMPLY WITH R7-8 SIGN SHOWN BELOW (U.S. DEPARTMENT OF TRANSPORTATION STANDARD), EXISTING SIGNS MAY REMAIN, BUT THEIR USEFUL LIVES SHALL NOT BE EXTENDED BY OTHER MEANS THAN NORMAL MAINTENANCE.
 2. ALL DIMENSIONS IN INCHES, THIS SIGN TO BE USED WITH R7-1101.
 3. THIS SIGN SHALL BE PLACED AT ALL HANDICAP PARKING SPACES.
 4. THE ARROW SHOULD BE OMITTED WHERE THERE IS ONLY ONE SPACE. THE ARROW MAY ALSO BE MADE TO POINT IN ONLY ONE DIRECTION. THE ARROW MAY ALSO BE REPLACED BY "TIME" SUCH AS 9 AM - 5 PM WHERE A PART TIME RESTRICTION EXISTS.

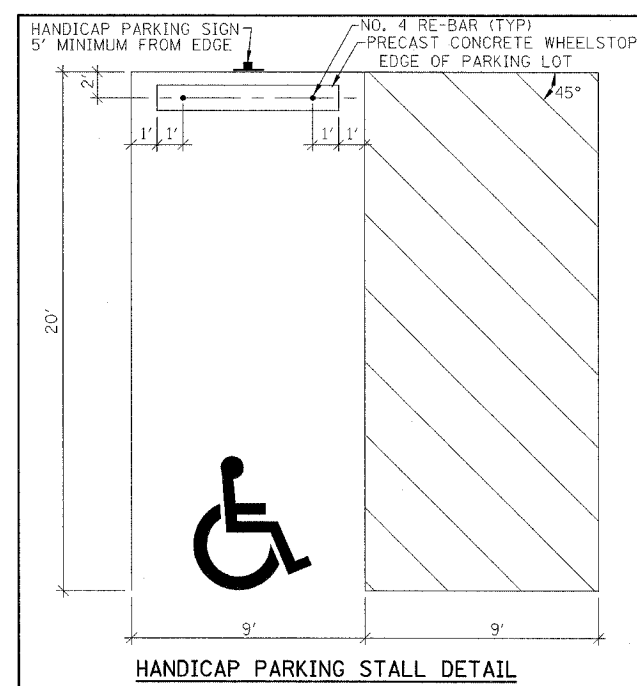
THIS IS A STANDARD SIGN AND MAY BE ORDERED FROM ANY TRAFFIC SIGN SUPPLIER BY NUMBER, THE SIGN MUST BE SUPPLEMENTED WITH 6. THE ILLINOIS STANDARD R7-1101 PLATE GIVING THE AMOUNT OF THE FINE FOR ILLEGALLY PARKING IN THE RESERVED SPACES.

COLORS:
 LEGEND AND BORDER - GREEN
 WHITE SYMBOL ON BLUE BACKGROUND
 BACKGROUND - WHITE

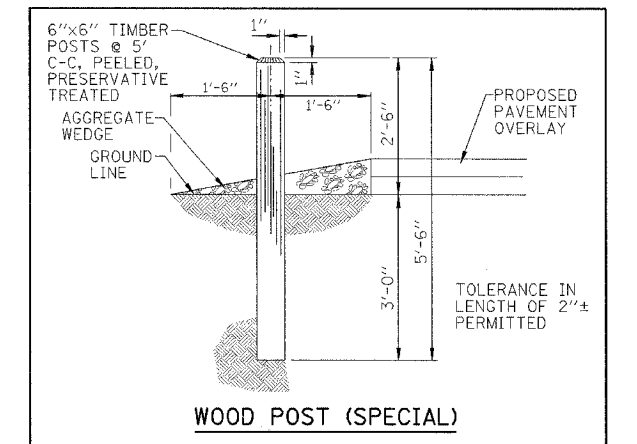
REDUCE SPACING 50% ** SEE APENDIX "E" FOR SYMBOL PROPORTIONS



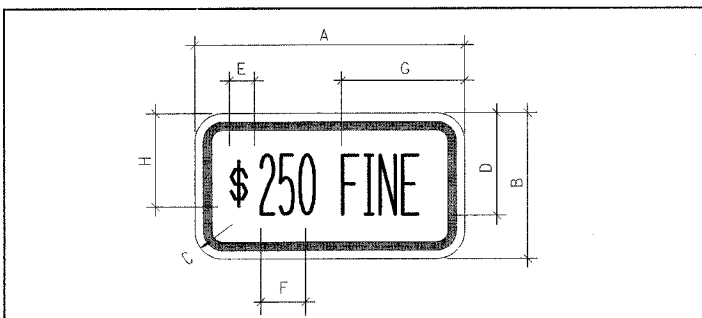
PAINT PAVEMENT MARKING - LINE 4" LAYOUT



HANDICAP PARKING STALL DETAIL



WOOD POST (SPECIAL)

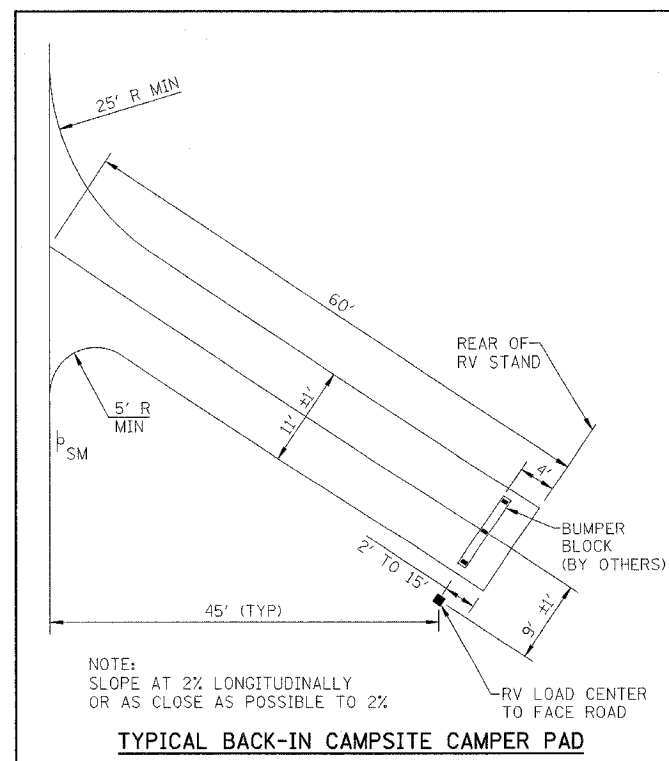
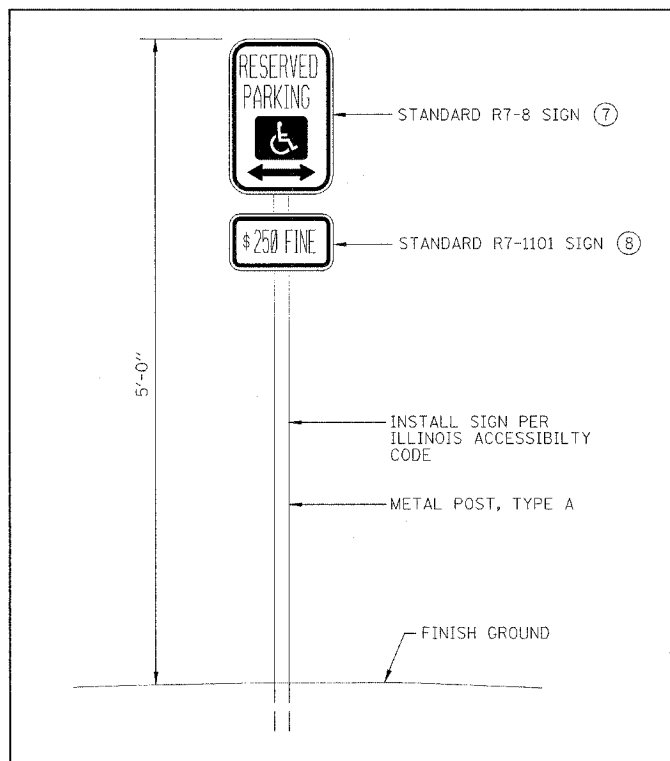


COLORS:
 LEGEND AND BORDER - GREEN NON-REFLECTORIZED
 BACKGROUND - WHITE REFLECTORIZED

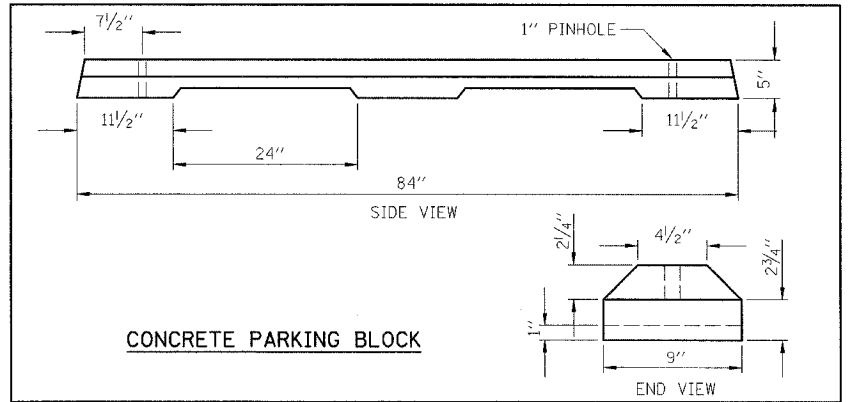
SIGN SIZE	DIMENSIONS							
	A	B	C	D	E	F	G	H
12x6	12.0	6.0	1.5	4.5	11	3.0	5.5	3.0

SIGN SIZE	SERIES LINES	MARGIN	BORDER	BLK STD
12x6	1/3A	0.37	0.37	85-126

NOTES:
 1. ALL DIMENSIONS IN INCHES. THIS SIGN TO BE USED WITH R7-8 (**=SERIES 3A "S")
 2. THIS SIGN SHALL BE PLACED AT ALL HANDICAP PARKING SPACES.
 3. THIS PLATE MAY BE MOUNTED DIRECTLY BELOW THE R7-8 SIGN OR COMBINED WITH THAT SIGN ON A SINGLE 12 INCH BY 24 INCH PANEL.
 4. FOR A FINE OF \$250, USE F=4.0 AND G=4.0 (REDUCE LETTER TO LETTER SPACING AS NECESSARY TO FIT).



NOTE:
 SLOPE AT 2% LONGITUDINALLY OR AS CLOSE AS POSSIBLE TO 2%
 TYPICAL BACK-IN CAMPSITE CAMPER PAD



CONCRETE PARKING BLOCK

REVISIONS	
NAME	DATE
WOOD POST (SPECIAL)	5/30/07

ILLINOIS DEPARTMENT OF TRANSPORTATION
 MISCELLANEOUS DETAILS
 IDOT / IDNR
 DIXON SPRINGS STATE PARK
 SCALE: VERT. HORIZ.
 DATE: 12/08/06
 DRAWN BY: DRR
 CHECKED BY: RGD