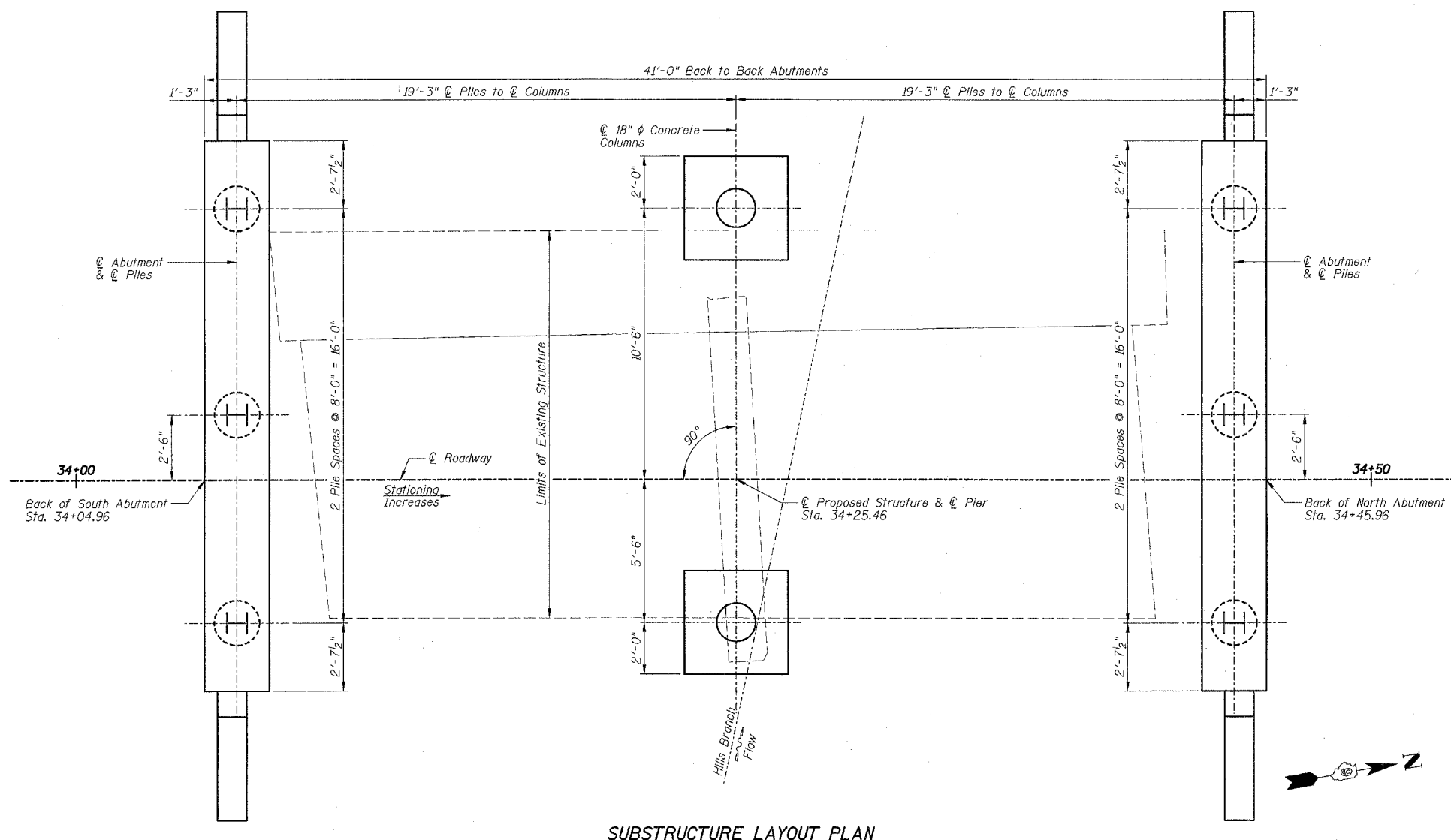


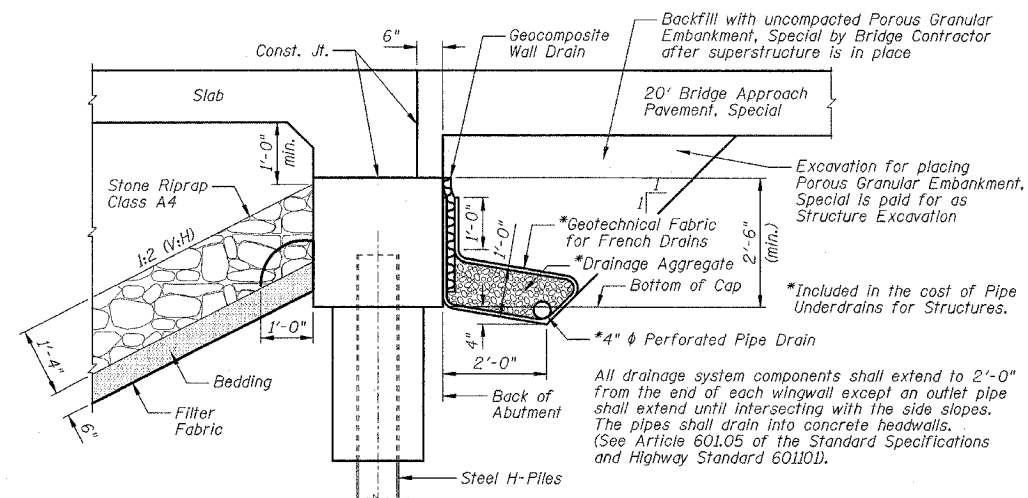
STATE OF ILLINOIS
DEPARTMENT OF TRANSPORTATION

F.A. RTE.	SECTION	COUNTY	TOTAL SHEETS	SHEET NO.
		POPE	60	28
STA.		TO STA.		
FED. ROAD DIST. NO.	ILLINOIS	FED. AID PROJECT		

SHEET NO. B2
OF 11 SHEETS



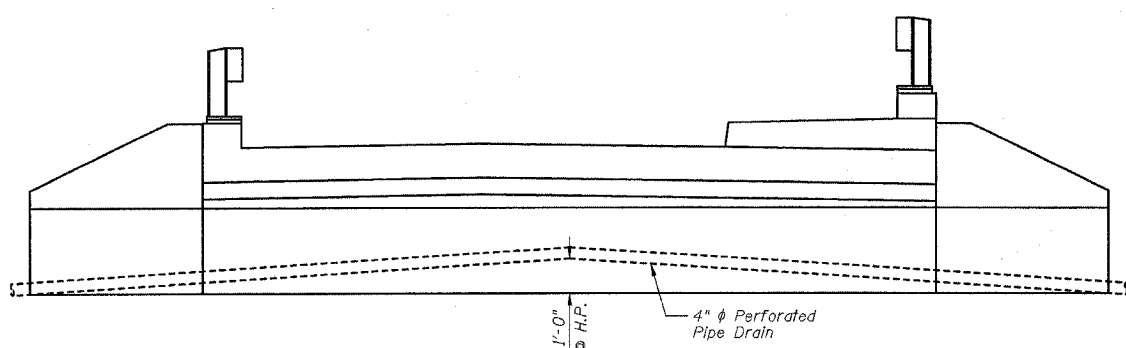
SUBSTRUCTURE LAYOUT PLAN



SECTION THRU ABUTMENT

TOTAL BILL OF MATERIAL

ITEMS	UNITS	SUPER	SUB	TOTAL
Channel Excavation	Cu Yd		47	47
Porous Granular Embankment, Special	Cu Yd		22	22
Stone Riprap, Class A4	Sq Yd		140	140
Filter Fabric	Sq Yd		140	140
Removal of Existing Structures No. 1	Each	1		1
Structure Excavation	Cu Yd		102	102
Rock Excavation For Structures	Cu Yd		5	5
Concrete Structures	Cu Yd		16.6	16.6
Concrete Superstructure	Cu Yd	50.0		50.0
Bridge Deck Grooving	Sq Yd	51		51
Seal Coat Concrete	Cu Yd		0.4	0.4
Protective Coat	Sq Yd	95		95
Rustication Finish	Sq Ft	186	84	270
Reinforcement Bars, Epoxy Coated	Pound	9340	3210	12550
Furnishing Steel Piles HP10x42	Foot		50	50
Driving Piles	Foot		50	50
Test Pile Steel HP10x42	Each		1	1
Name Plates	Each	1		1
Geocomposite Wall Drain	Sq Yd		20	20
Pipe Underdrains For Structures 4"	Foot		90	90
Treated Timber Rail	Foot	82		82



ABUTMENT ELEVATION, TYPICAL DRAIN DETAIL

GENERAL NOTES:

- 1.) Reinforcement Bars shall conform to the requirements of ASTM A 706 Gr 60 (IL Modified). See Special Provisions.
- 2.) Reinforcement bars designated (E) shall be epoxy coated.
- 3.) Layout of slope protection system may be varied to suit ground conditions in the field as directed by the Engineer.
- 4.) The Contractor shall make allowance for the deflection of forms, shrinkage and settlement of falsework, in addition to allowance for dead load deflection. Forms for deck slab shall be removed prior to placement of bridge approach pavement.
- 5.) The Contractor shall drive one (1) steel HP 10x42 test pile in a permanent location, in the South Abutment, as directed by the Engineer before ordering the remainder of piles. The Contractor shall drive test pile to 110% of the nominal required bearing specified.
- 6.) The Steel H-Piles shall be according to AASHTO M270 Grade 50.
- 7.) All construction joints shall be bonded.

REVISIONS	
NAME	DATE
DJM	4/02/07

ILLINOIS DEPARTMENT OF TRANSPORTATION
GENERAL NOTES, BILL OF MATERIAL, DETAIL,
SECTION AND SUBSTRUCTURE LAYOUT PLAN
DIXON SPRINGS STATE PARK
ROAD OVER HILLS BRANCH
POPE COUNTY
STRUCTURE NO. 076-9924
DESIGNED BY: MJG
DRAWN BY: DJM
DATE: 11/30/06
CHECKED BY: MSW