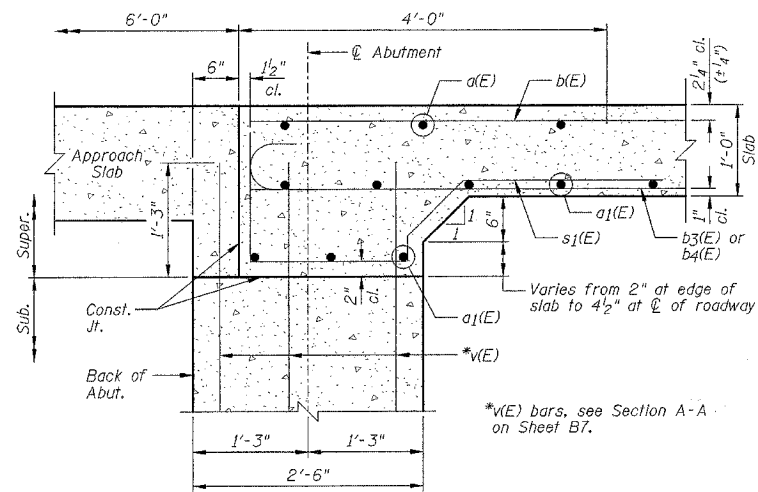
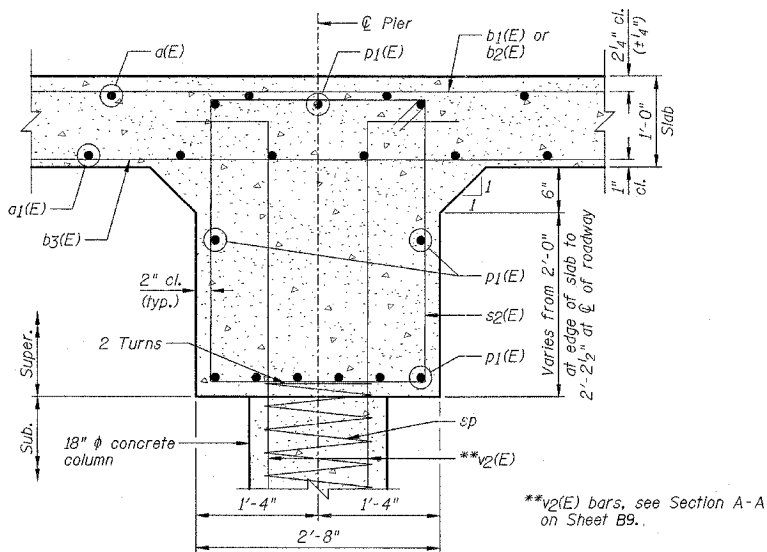


| | | | | |
|---------------------|----------|------------------|--------------|-----------|
| F.A. RTE. | SECTION | COUNTY | TOTAL SHEETS | SHEET NO. |
| | | POPE | 60 | 30 |
| STA. | | TO STA. | | |
| FED. ROAD DIST. NO. | ILLINOIS | FED. AID PROJECT | | |
| SHEET NO. B4 | | | | |
| OF 11 SHEETS | | | | |

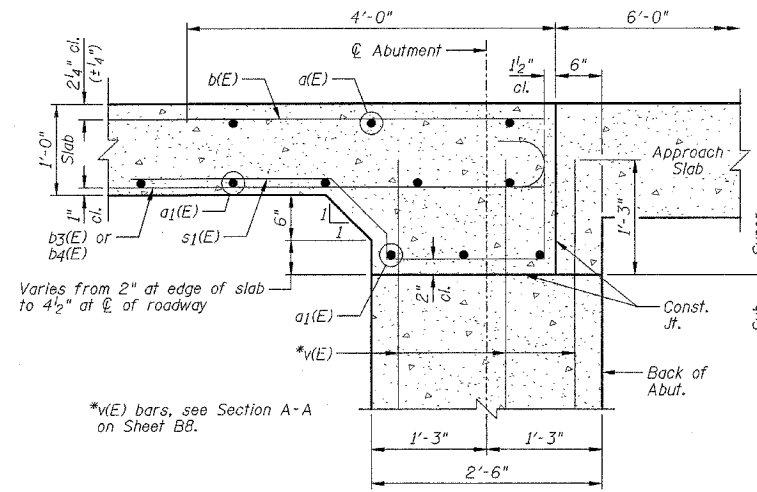
STATE OF ILLINOIS
DEPARTMENT OF TRANSPORTATION



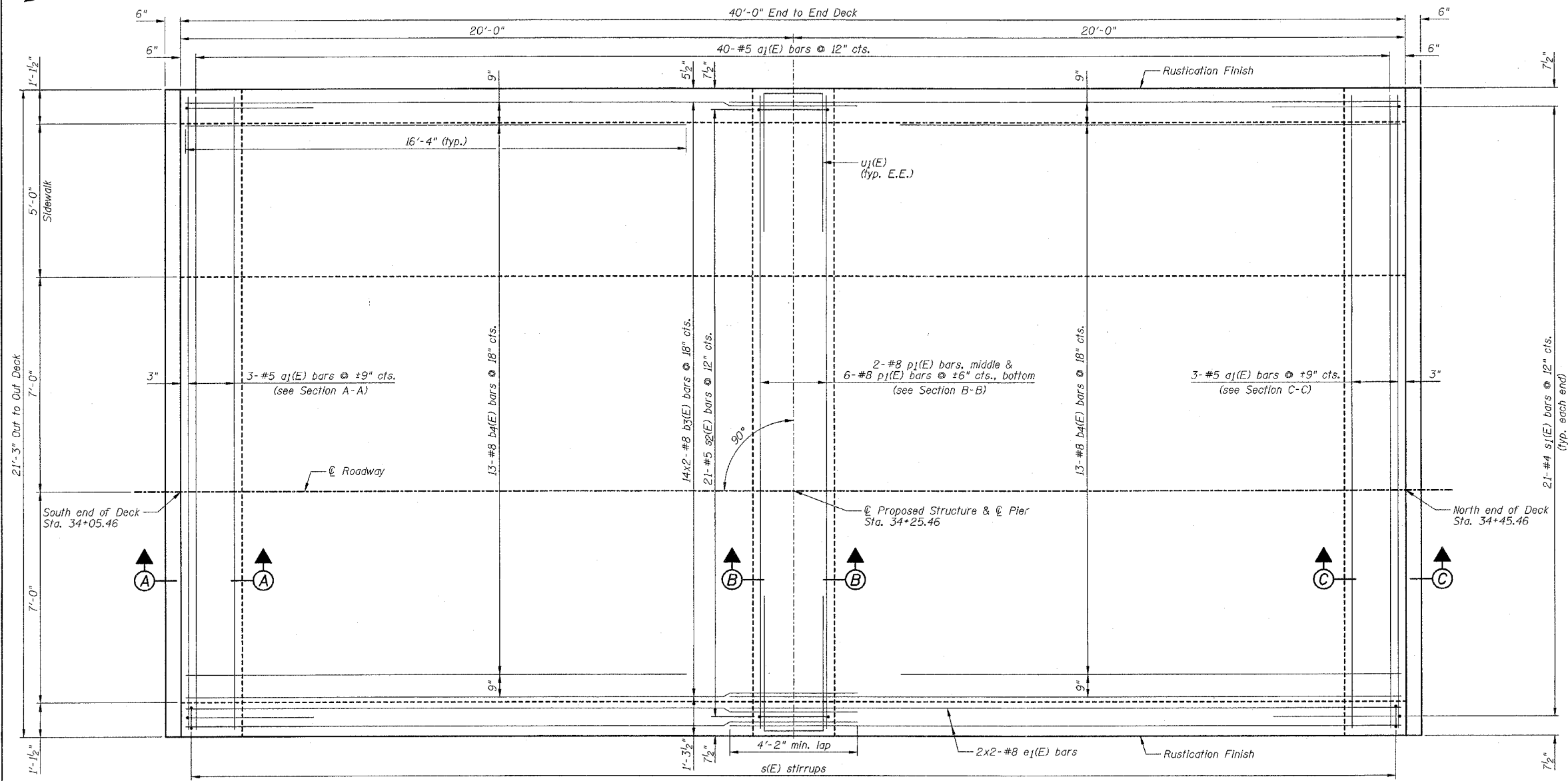
SECTION A-A



SECTION B-B



SECTION C-C



BOTTOM OF SLAB PLAN

NOTES:

- 1.) Work this sheet with Sheets B3 & B5.
- 2.) Reinforcement bars designated (E) shall be epoxy coated.
- 3.) E.E. denotes Each End.
- 4.) See Sheet B3 for Superstructure Bill of Material.
- 5.) Bars indicated thus 2x2-#8 etc. indicates 2 lines of bars with 2 lengths per line.
- 6.) See BIO for Rustication Finish details.

| REVISIONS | |
|-----------|------|
| NAME | DATE |
| | |
| | |
| | |
| | |
| | |

ILLINOIS DEPARTMENT OF TRANSPORTATION
SUPERSTRUCTURE DECK (BOTTOM OF SLAB)
DIXON SPRINGS STATE PARK
ROAD OVER HILLS BRANCH
POPE COUNTY
STRUCTURE NO. 076-9924
DESIGNED BY: MJG
DATE: 11/30/06
DRAWN BY: DJM
CHECKED BY: MSW