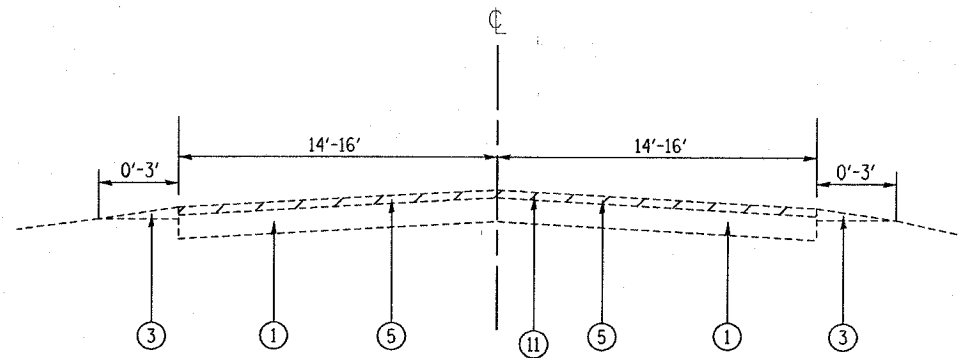


F.A.I. RTE.	SECTION	COUNTY	TOTAL SHEETS	SHEET NO.
55	99 (I&2) RS-10	WILL	18	4
STA.		TO STA.		
FED. ROAD DIST. NO.	ILLINOIS	FED. AID PROJECT		

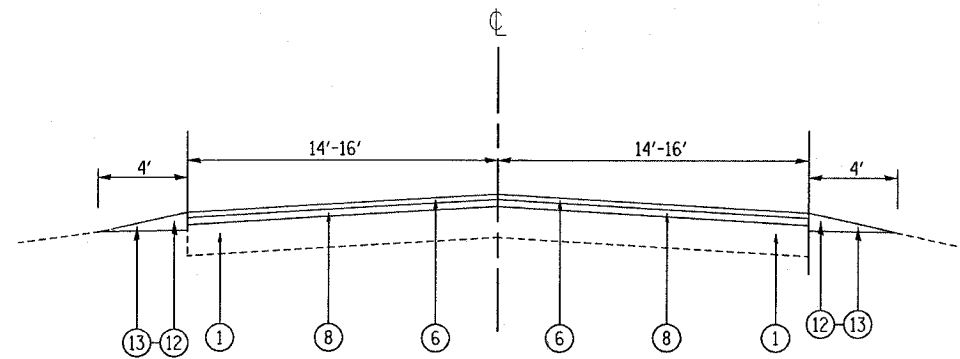
LEGEND

- ① EXISTING HMA BASE COURSE, ± 10"
- ② EXISTING C.A.M. BASE, ± 7 1/2"
- ③ EXISTING AGGREGATE SHOULDER
- ④ EXISTING HMA OVERLAY, ± 1 1/2"
- ⑤ EXISTING HMA OVERLAY, ± 3"
- ⑥ PROPOSED HMA SURFACE COURSE, MIX "D", N50, 1 1/2"
- ⑦ PROPOSED HMA BINDER COURSE (IL-19.0, N50, 4 1/2"
- ⑧ PROP. LEVELING BINDER, (MM), N50, 1"
- ⑨ PROPOSED AGGREGATE BASE COURSE, TYPE B, 2"
- ⑩ PROPOSED PULVERIZED HMA MATERIAL, 9"
- ⑪ PROPOSED HMA SURFACE REMOVAL, 2 1/2"
- ⑫ PROPOSED AGGREGATE WEDGE SHOULDERS, TYPE B
- ⑬ PROPOSED GRADING & SHAPING SHOULDERS
- ⑭ PROPOSED PULVERIZATION, 9"



EXISTING TYPICAL CROSS SECTION

STA. 1050+66 TO STA. 1053+00



PROPOSED TYPICAL CROSS SECTION

STA. 1050+66 TO STA. 1053+00

HOT-MIX ASPHALT MIXTURE REQUIREMENTS

	MIXTURE TYPE	AC/PG	AIR VOIDS (%)
ROADWAY (PUVERIZATION)	HOT-MIX ASPHALT SURFACE COURSE, MIX "D", N50, IL 9.5 MM, 1 1/2"	PG 64-22	4% @ 50 GYR
	HOT-MIX ASPHALT BINDER COURSE, IL-19.0, N50, 4 1/2"	PG 64-22*	4% @ 50 GYR
ROADWAY (RESURFACING)	HOT-MIX ASPHALT SURFACE COURSE, MIX "D", N50, IL 9.5 MM, 1 1/2"	PG 64-22	4% @ 50 GYR
	LEVELING BINDER (MACHINE METHOD), N50, IL 9.5 MM, 1"	PG 64-22*	4% @ 50 GYR
DRIVEWAY	HOT-MIX ASPHALT SURFACE COURSE, MIX "C", N50, IL 9.5 MM, 2"	PG 64-22	4% @ 50 GYR
DRIVEWAY P.E.	HOT-MIX ASPHALT BASE COURSE, BINDER IL-19.0, 6"	PG 64-22*	4% @ 50 GYR
DRIVEWAY C.E.	HOT-MIX ASPHALT BASE COURSE, IL-19.0, 8"	PG 64-22*	4% @ 50 GYR

UNIT WEIGHT USED TO CALCULATE ALL HMA SURFACE MIXTURE QUANTITIES IS 112 LBS/SQ YD/IN

\*WHEN RAP EXCEEDS 20%, THE NEW ASPHALT BINDER IN THE MIX SHALL BE PG 58-22

REVISIONS	
NAME	DATE

ILLINOIS DEPARTMENT OF TRANSPORTATION

EXISTING AND PROPOSED TYPICAL SECTIONS

SCALE: VERT. HORIZ. DATE

DRAWN BY CHECKED BY

Rev. Sheet 7-17-07

R1