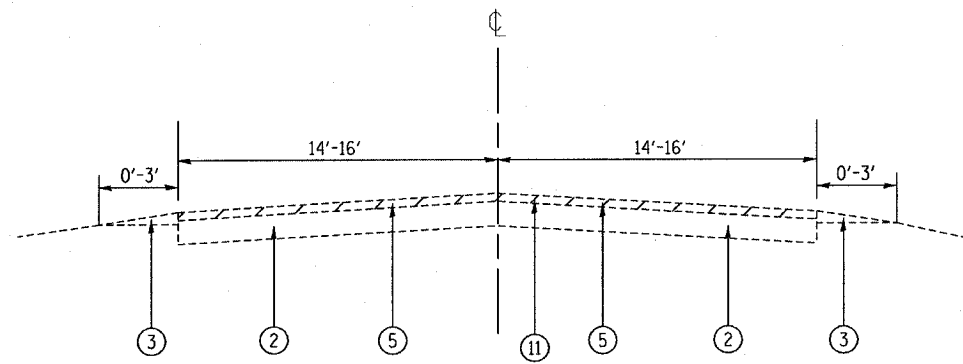
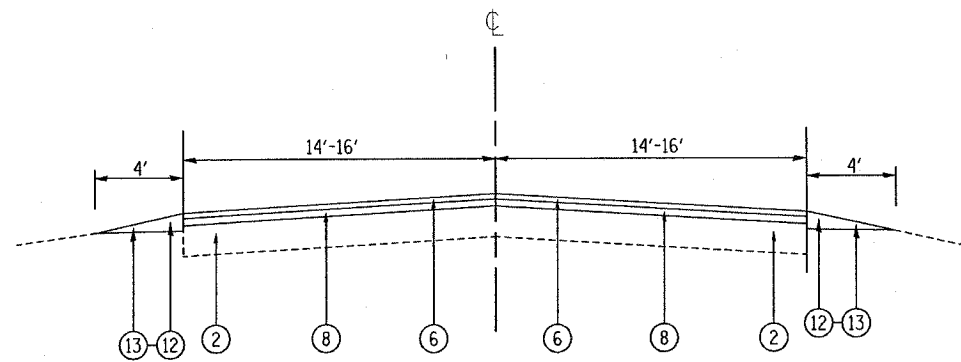


F.A.I. RTE.	SECTION	COUNTY	TOTAL SHEETS	SHEET NO.
55	99 (I&2) RS-10	WILL	18	6
STA.		TO STA.		
FED. ROAD DIST. NO.	ILLINOIS	FED. AID PROJECT		



EXISTING TYPICAL CROSS SECTION

STA. 1097+23 TO STA. 1098+83
STA. 1099+25 TO STA. 1100+15



PROPOSED TYPICAL CROSS SECTION

STA. 1097+23 TO STA. 1098+83
STA. 1099+25 TO STA. 1100+15

LEGEND

- ① EXISTING HMA BASE COURSE, ± 10"
- ② EXISTING C.A.M. BASE, ± 7 1/2"
- ③ EXISTING AGGREGATE SHOULDER
- ④ EXISTING HMA OVERLAY, ± 1 1/2"
- ⑤ EXISTING HMA OVERLAY, ± 3"
- ⑥ PROPOSED HMA SURFACE COURSE, MIX "D", N50, 1 1/2"
- ⑦ PROPOSED HMA BINDER COURSE (IL-19.0, N50, 4 1/2"
- ⑧ PROP. LEVELING BINDER, (MM), N50, 1"
- ⑨ PROPOSED AGGREGATE BASE COURSE, TYPE B, 2"
- ⑩ PROPOSED PULVERIZED HMA MATERIAL, 9"
- ⑪ PROPOSED HMA SURFACE REMOVAL, 2 1/2"
- ⑫ PROPOSED AGGREGATE WEDGE SHOULDERS, TYPE B
- ⑬ PROPOSED GRADING & SHAPING SHOULDERS
- ⑭ PROPOSED PULVERIZATION, 9"

PLOT DATE = 7/11/2007
 PLOT SCALE = 5/8" = 1' IN.
 REFERENCE = #REF#

REVISIONS	
NAME	DATE

ILLINOIS DEPARTMENT OF TRANSPORTATION

EXISTING AND PROPOSED TYPICAL SECTIONS

SCALE: VERT. HORIZ.
DATE

DRAWN BY
CHECKED BY

Rev. Sheet 7-17-07

RL