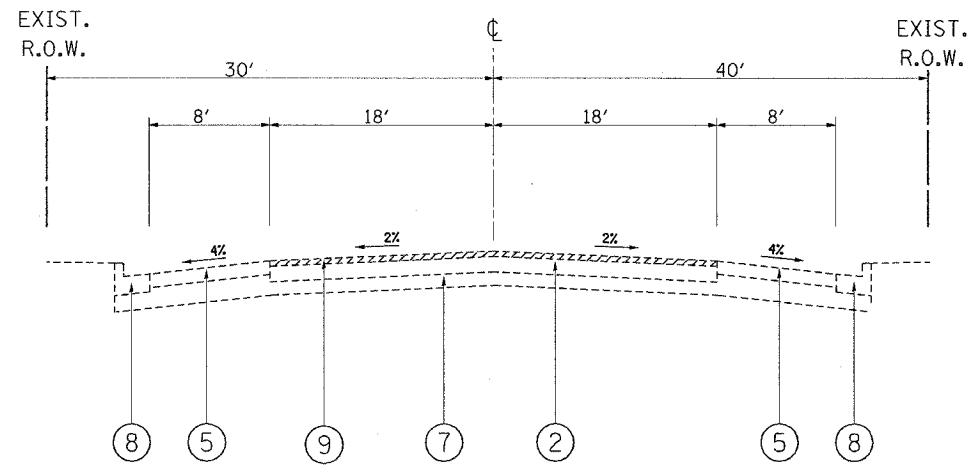
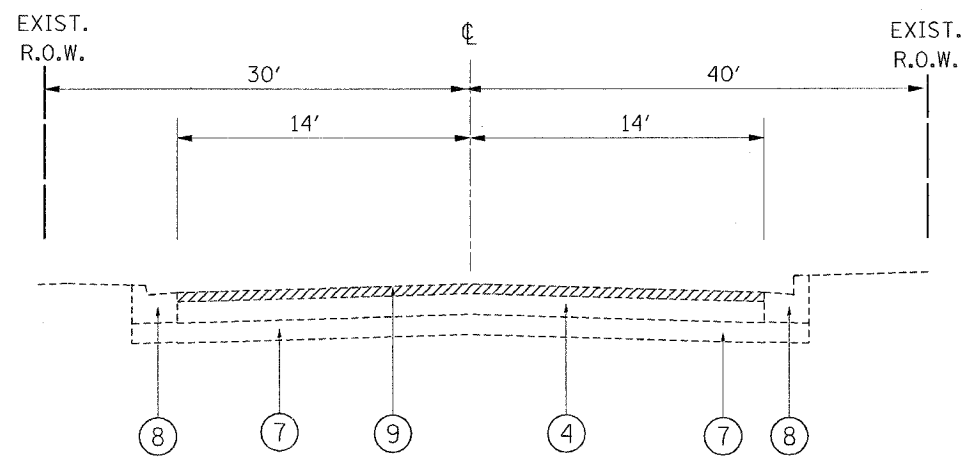


F.A.P. RTE.	SECTION	COUNTY	TOTAL SHEETS	SHEET NO.
334	**	MCHENRY	98	10
STA.		TO STA.		
FED. ROAD DIST. NO.		ILLINOIS FED. AID PROJECT		



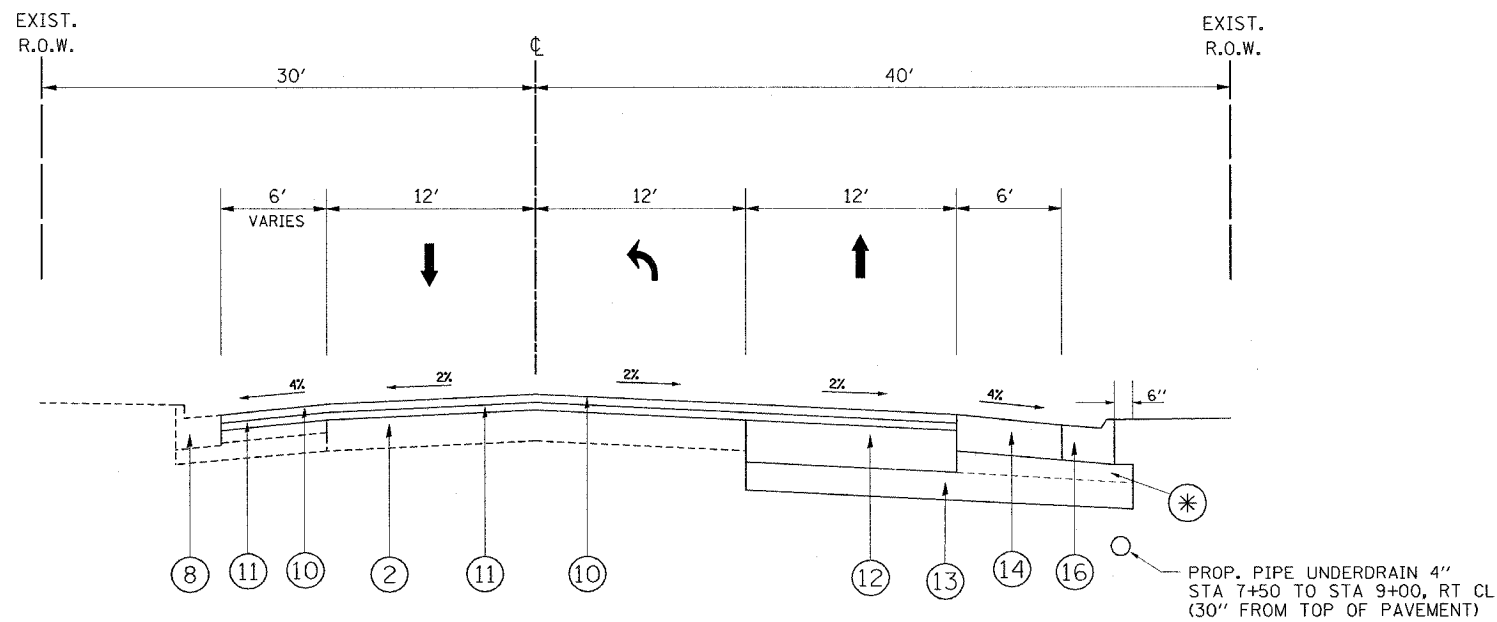
EXISTING TYPICAL SECTION
TRYON GROVE ROAD
STA. 4+92 'W' TO 7+50 'W'



EXISTING TYPICAL SECTION
TRYON GROVE ROAD
STA. 7+50 'W' TO 10+00 'W'

LEGEND:

- ① EXISTING PORTLAND CEMENT CONCRETE PAVEMENT, ± 8 1/2"
- ② EXISTING HMA SURFACE COURSE, ± 5 1/2"
- ③ EXISTING HMA SURFACE COURSE, ± 3"
- ④ EXISTING HMA SURFACE COURSE, ± 4"
- ⑤ EXISTING HMA SHOULDER
- ⑥ EXISTING AGGREGATE SHOULDER
- ⑦ EXISTING AGGREGATE SUBBASE,
- ⑧ EXISTING COMBINATION CONCRETE CURB AND GUTTER
- ⑨ PROP. HMA SURFACE REMOVAL, 2 1/2"
- ⑩ PROP. HMA SURFACE COURSE, MIX "D", N70 1 1/2"
- ⑪ PROP. POLYMERIZED LEVELING BINDER (MACHINE METHOD), IL-4.75, N50, 1"
- ⑫ PROP. HMA BASE COURSE WIDENING, IL-19 mm, 11" (3 LIFTS)
- ⑬ PROP. AGGREGATE SUBGRADE, 12" SPECIAL
- ⑭ PROP. HMA SHOULDER, 8"
- ⑮ PROP. AGGREGATE SHOULDER, TYPE B, 6"
- ⑯ PROP. COMBINATION CURB AND GUTTER, TYPE M-6.24
- ⑰ PROP. SUBBASE GRANULAR MATERIAL TYPE B, 6"
- ⑱ PROP. HMA SURFACE REMOVAL, 2 1/4"
- ⑲ PROP. AGGREGATE WEDGE SHOULDER, TYPE B
- ⑳ PROP. POLYMERIZED LEVELING BINDER (MACHINE METHOD), IL-4.75, N50, 3/4"
- ㉑ PROP. HMA SURFACE REMOVAL, 1 1/2"



PROPOSED TYPICAL SECTION
TRYON GROVE ROAD - WEST LEG
STA. 4+92 'W' TO 10+00 'W'

* ADDITIONAL THICKNESS OF AGGREGATE SUBGRADE SHALL BE INCIDENTAL TO AGGREGATE SUBGRADE 12" SPECIAL

REVISIONS	
NAME	DATE

ILLINOIS DEPARTMENT OF TRANSPORTATION
EXISTING & PROPOSED TYPICAL SECTION
TRYON GROVE ROAD - WEST LEG
STA. 4+92 'W' TO 10+00 'W'

SCALE: VERT. HORIZ. DATE

DRAWN BY CHECKED BY