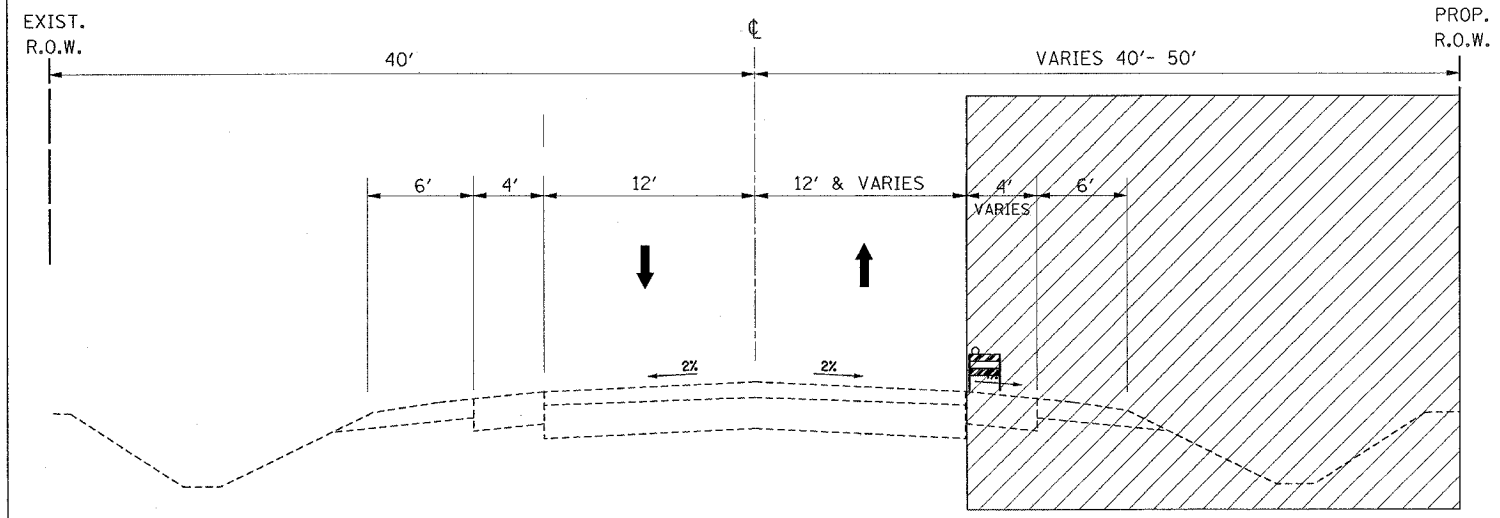
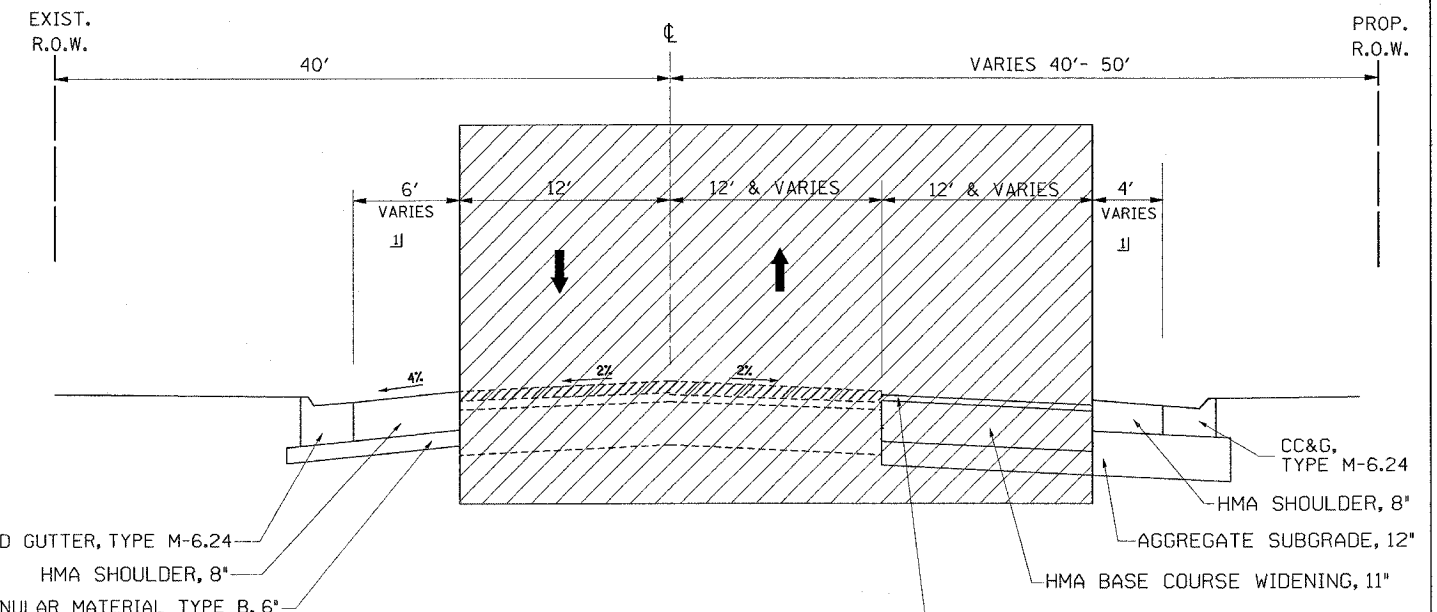


F.A.P. RTE.	SECTION	COUNTY	TOTAL SHEETS	SHEET NO.
334	**	MCHENRY	98	26
STA.		TO STA.		
FED. ROAD DIST. NO.	ILLINOIS	FED. AID PROJECT		

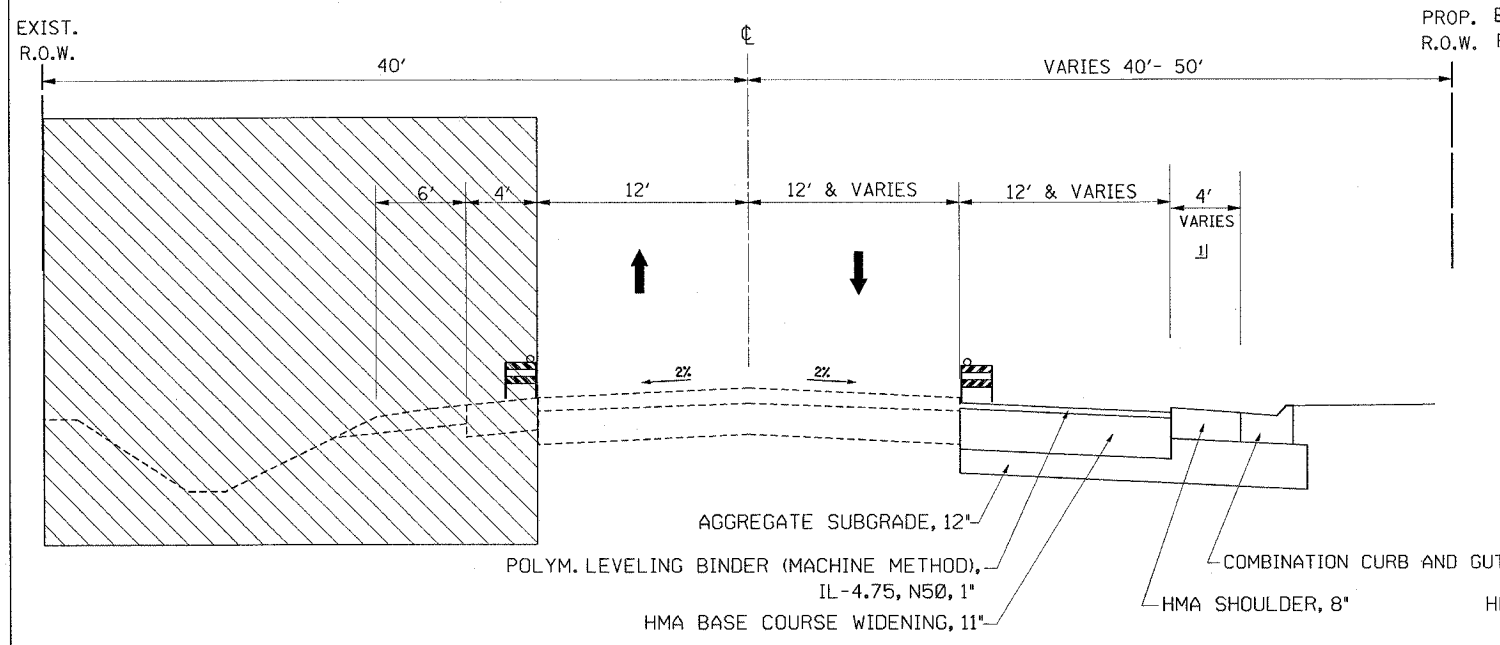
** 111 RS-5 & 116 B-1



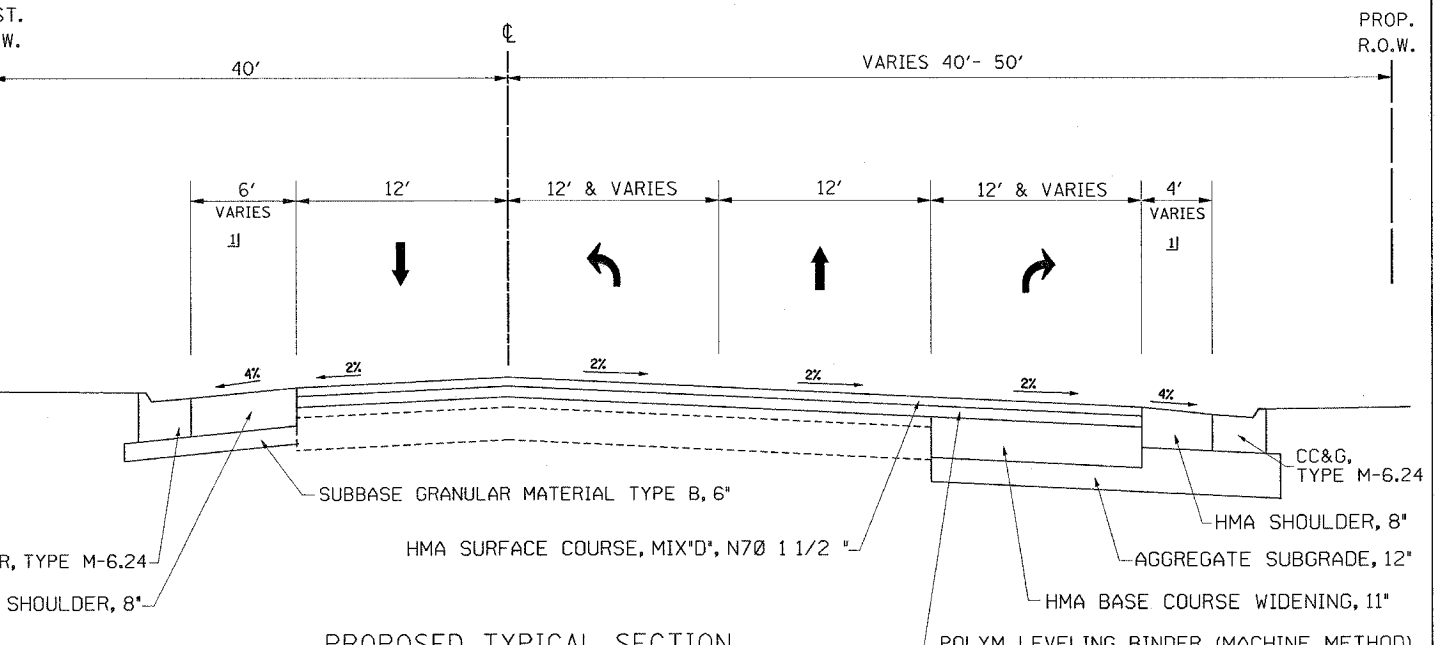
STAGE I TYPICAL SECTION
IL RTE. 31 - SOUTH LEG
STA. 10+00 'S' TO 19+89.9 'S'



STAGE III TYPICAL SECTION
IL RTE. 31 - SOUTH LEG
STA. 10+00 'S' TO 19+89.9 'S'



STAGE II TYPICAL SECTION
IL RTE. 31 - SOUTH LEG
STA. 10+00 'S' TO 19+89.9 'S'



PROPOSED TYPICAL SECTION
IL RTE. 31 - SOUTH LEG
STA. 10+00 'S' TO 19+89.90 'S'

|| USE 8' SHOULDER (5' PAVED, 3' STABILIZED AGGREGATE):
STA. 10+00 TO STA. 13+50 RT.
STA. 10+00 TO STA. 15+23 LT.

PROPOSED M-6.24 CURB AND GUTTER:
STA. 13+50 TO STA. 19+89.90 RT.
STA. 15+23 TO STA. 19+89.90 LT.

REVISIONS	
NAME	DATE

ILLINOIS DEPARTMENT OF TRANSPORTATION

**EXISTING & PROPOSED
TYPICAL SECTION
ILL 31 ROAD - SOUTH LEG
STA. 10+00 TO STA. 19+89.90**

SCALE: VERT. _____
HORIZ. _____

DATE _____ DRAWN BY _____
CHECKED BY _____

PLOT DATE = 5/18/2007
FILE NAME = c:\projects\114899\114899.dwg
USER NAME = mgj