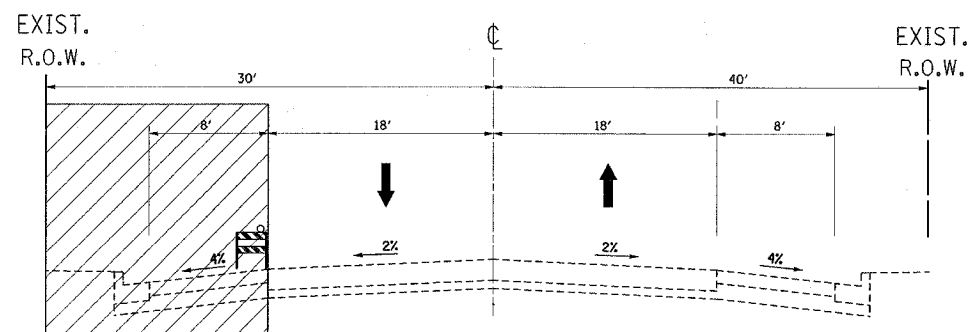
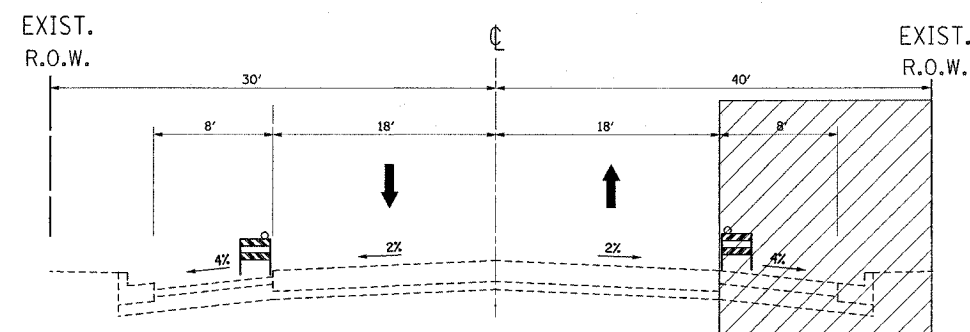


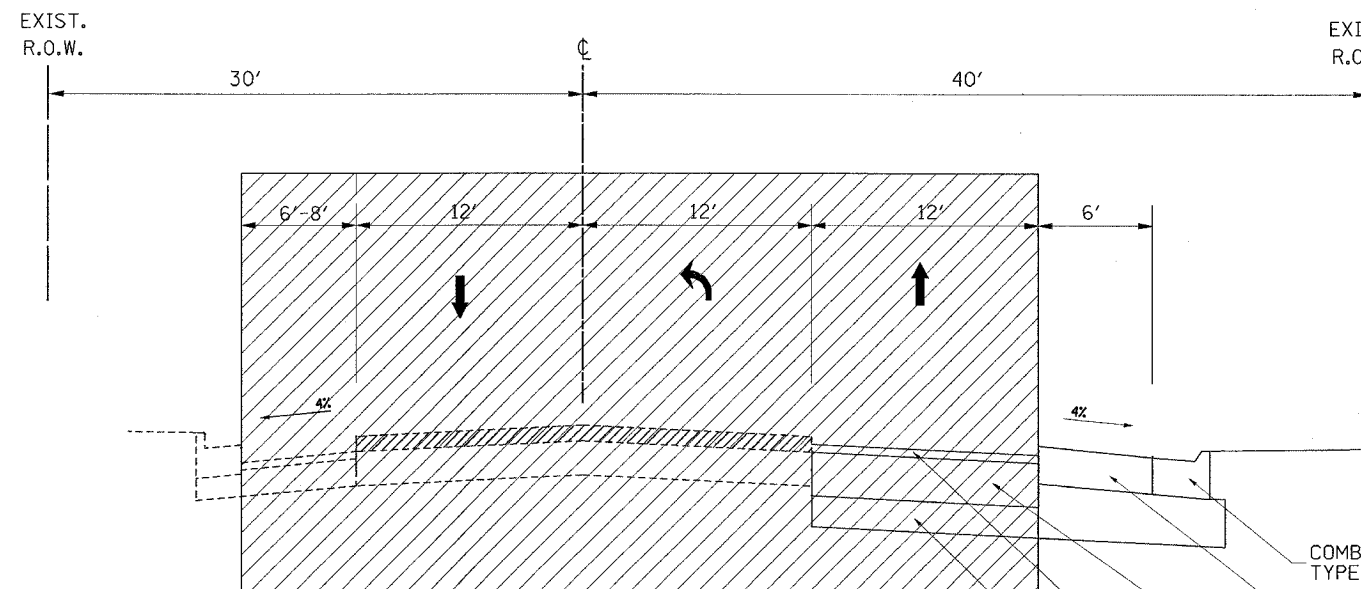
CONTRACT NO. 60A91				
F.A.P. RTE.	SECTION	COUNTY	TOTAL SHEETS	SHEET NO.
334	**	MCHENRY	98	28
STA.		TO STA.		
FED. ROAD DIST. NO.	ILLINOIS	FED. AID PROJECT		
** 111 RS-5 & 116 B-1				



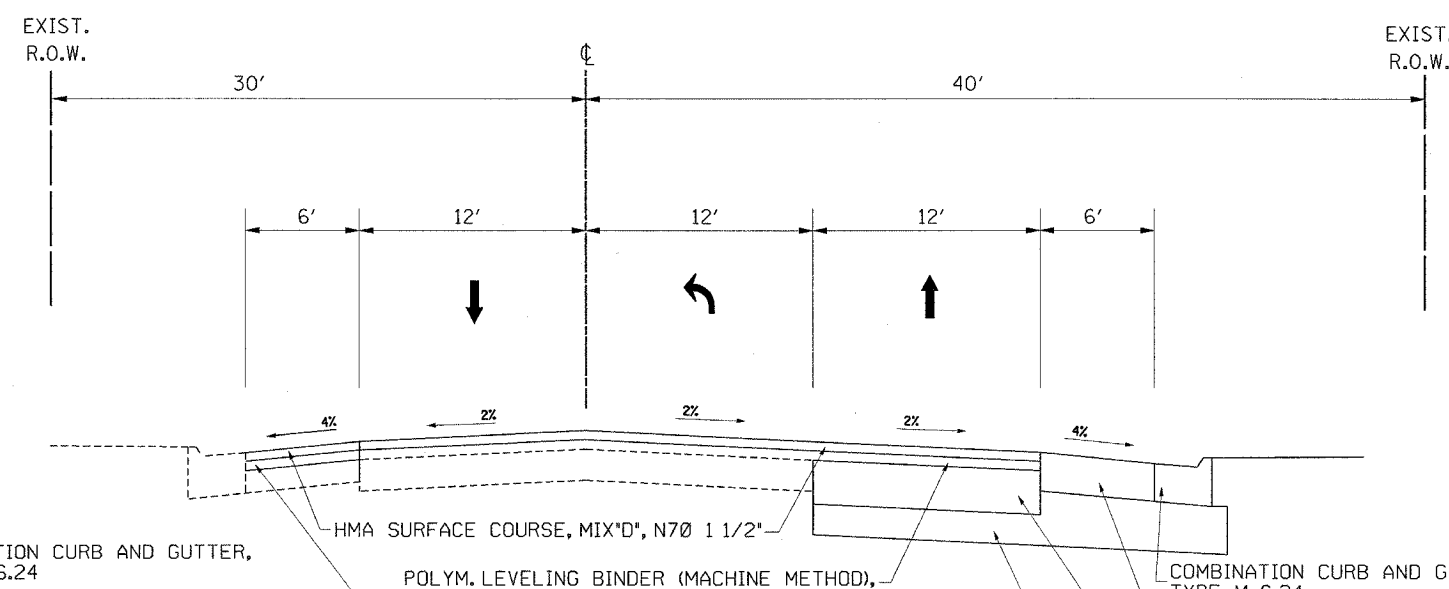
STAGE I TYPICAL SECTION
TRYON GROVE ROAD
STA. 4+92 'W' TO 10+00 'W'



STAGE II TYPICAL SECTION
TRYON GROVE ROAD
STA. 4+92 'W' TO 10+00 'W'



STAGE III TYPICAL SECTION
TRYON GROVE ROAD - WEST LEG
STA. 4+92 'W' TO 10+00 'W'



PROPOSED TYPICAL SECTION
TRYON GROVE ROAD - WEST LEG
STA. 4+92 'W' TO 10+00 'W'

- COMBINATION CURB AND GUTTER, TYPE M-6.24
- HMA SHOULDER, 8"
- HMA BASE COURSE WIDENING, 11"
- POLYM. LEVELING BINDER (MACHINE METHOD), IL-4.75, N50, 1"
- AGGREGATE SUBGRADE, 12"

- COMBINATION CURB AND GUTTER, TYPE M-6.24
- HMA SHOULDER, 8"
- HMA BASE COURSE WIDENING, 11"
- AGGREGATE SUBGRADE, 12"

REVISIONS	
NAME	DATE

ILLINOIS DEPARTMENT OF TRANSPORTATION

**EXISTING & PROPOSED
TYPICAL SECTION
TRYON GROVE ROAD - WEST LEG
STA. 4+92 'W' TO 10+00 'W'**

SCALE: VERT. _____
HORIZ. _____

DATE _____ DRAWN BY _____
CHECKED BY _____

PLOT DATE = 5/10/2007
FILE NAME = c:\projects\114899\114899a.m32
PLOT SCALE = 50.000000 / IN.
USER NAME = mdyja

5/10/2007
c:\projects\114899\114899a.m32
mlyja