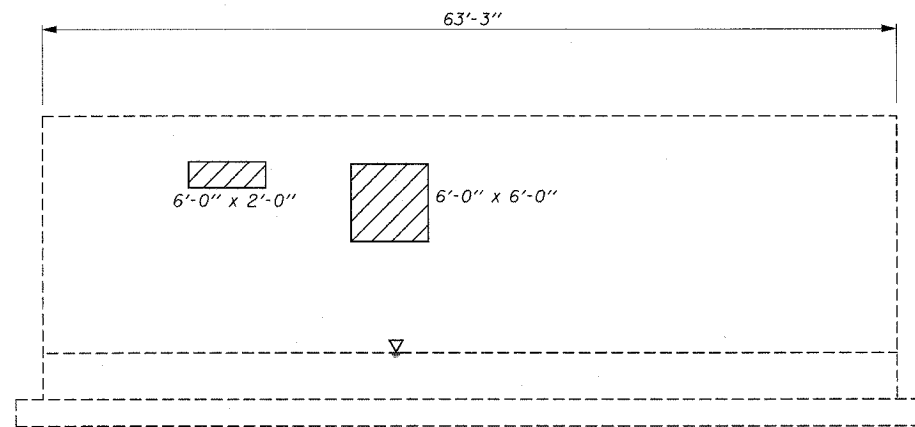
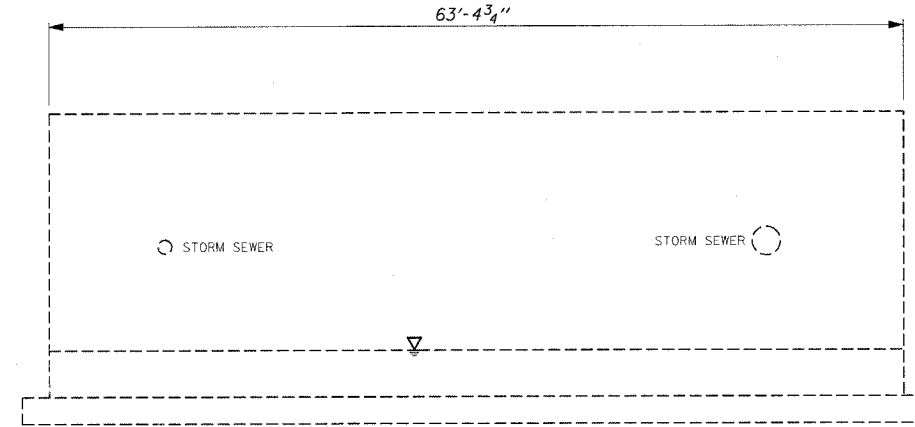


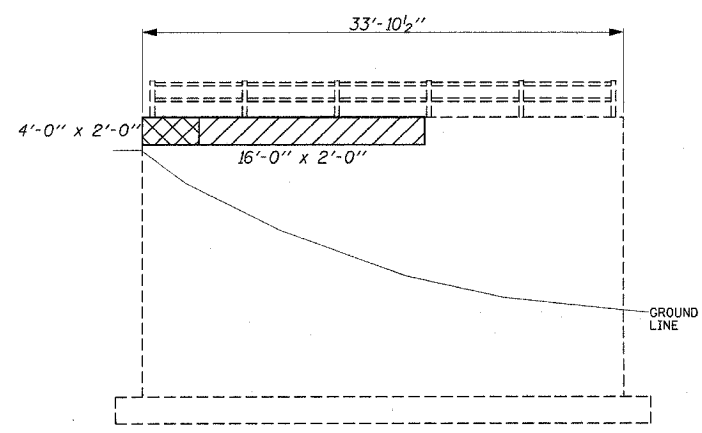
F.A.P. RTE.	SECTION	COUNTY	TOTAL SHEETS	SHEET NO.
334	**	McHENRY	58	63
STA.		TO STA.		
FED. ROAD DIST. NO.		ILLINOIS FED. AID PROJECT		
** 111 RS-5 & 116 B-1		CONTRACT NO. 60A91		



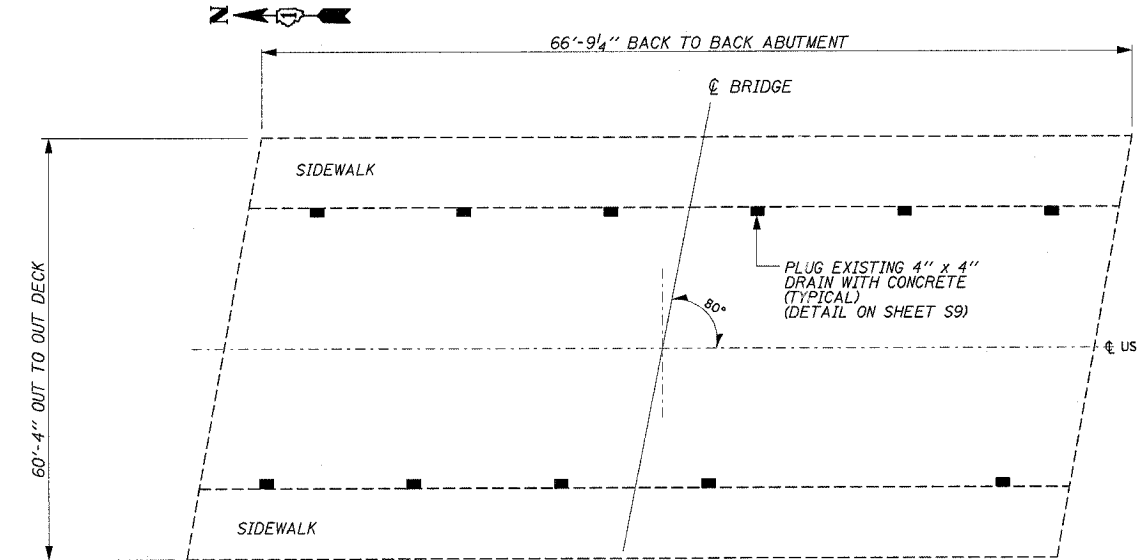
NORTH ABUTMENT REPAIRS



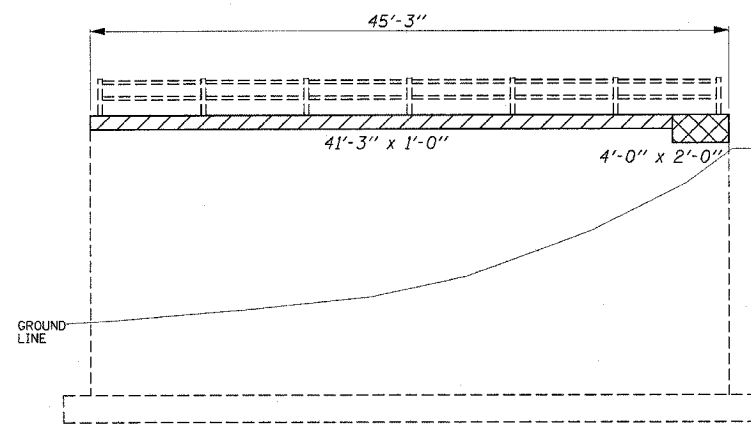
SOUTH ABUTMENT



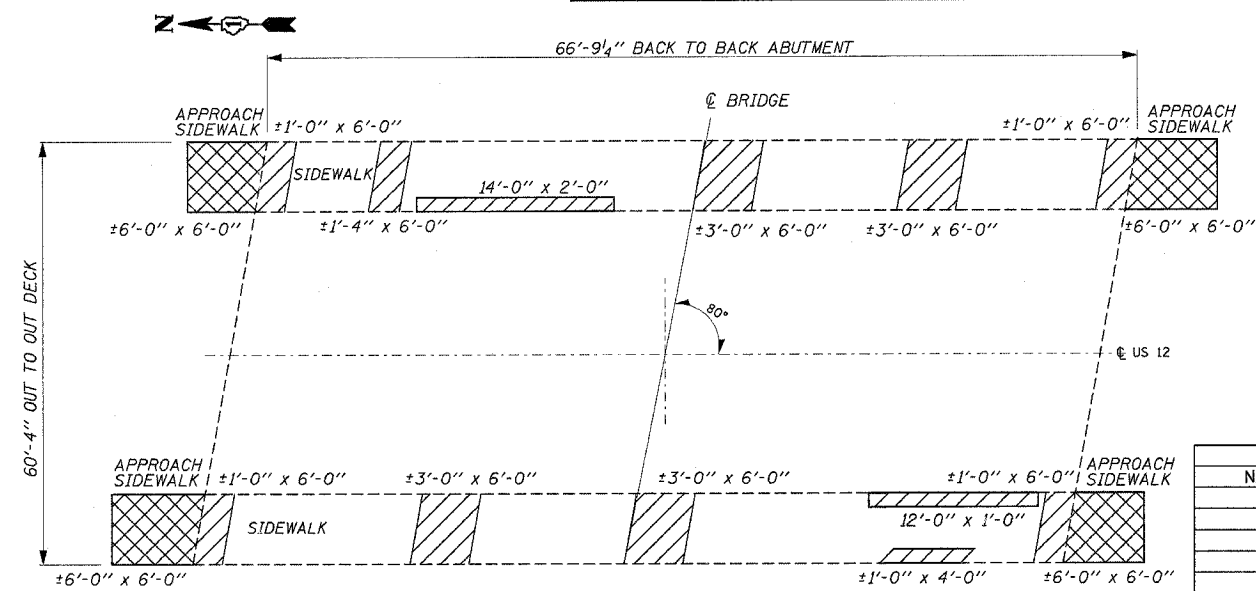
NORTHWEST WINGWALL REPAIRS



DRAIN CLOSURES AND REPLACEMENTS



SOUTHWEST WINGWALL REPAIRS



SIDEWALK REPAIRS

BILL OF MATERIALS

ITEM	UNIT	QUANTITY
STRUCTURAL REPAIR OF CONCRETE < 5 INCHES	SQ. FT.	245
STRUCTURAL REPAIR OF CONCRETE > 5 INCHES	SQ. FT.	160
PLUG EXISTING DECK DRAINS	EACH	11

DATE OF SURVEY, FEBRUARY, 2007

LEGEND

- STRUCTURAL REPAIR OF CONCRETE ≤ 5 INCHES
- STRUCTURAL REPAIR OF CONCRETE > 5 INCHES

REVISIONS	
NAME	DATE

ILLINOIS DEPARTMENT OF TRANSPORTATION
 U.S. ROUTE 12 BRIDGE
 OVER NORTH BRANCH NIPPERSINK CREEK
 ABUTMENTS, WINGWALLS AND SIDEWALKS
 REPAIRS
 SCALE: NONE S.N. 056-0017 DRAWN BY: MVT
 DATE: APRIL, 2004 CHECKED BY: RSS

5/10/2007
 c:\projects\structure\nipersink_english.dgn
 DISTRICT ONE - DESIGN
 PLAN PREPARATION ENGINEER JOHN FORTMANN / RUSS SINHA (847) 705-4209 / ATTENTION MARK V. TINIAKOS (847) 705-4266