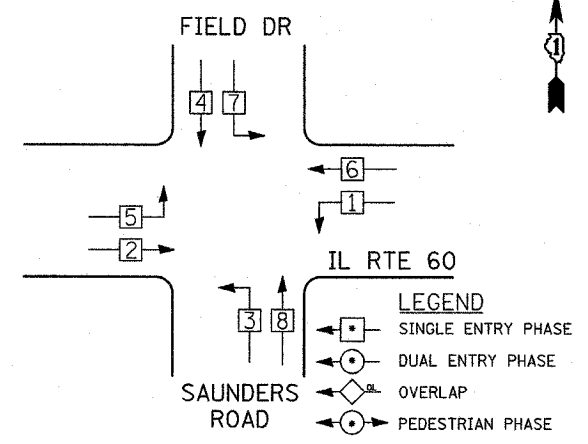


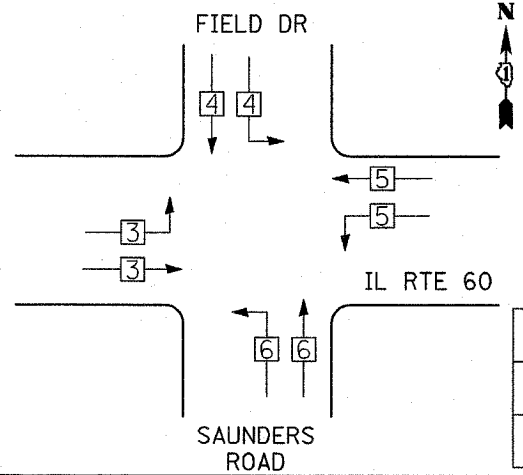
F.A.P. RTE.	SECTION	COUNTY	TOTAL SHEETS	SHEET NO.
335	119R-2	LAKE	439	197
STA. 432+83.12		TO STA. 470+56.84		
FED. ROAD DIST. NO.		ILLINOIS FED. AID PROJECT		
60B01				

CONTROLLER SEQUENCE



PHASE DESIGNATION DIAGRAM

EMERGENCY VEHICLE PREEMPTION SEQUENCE



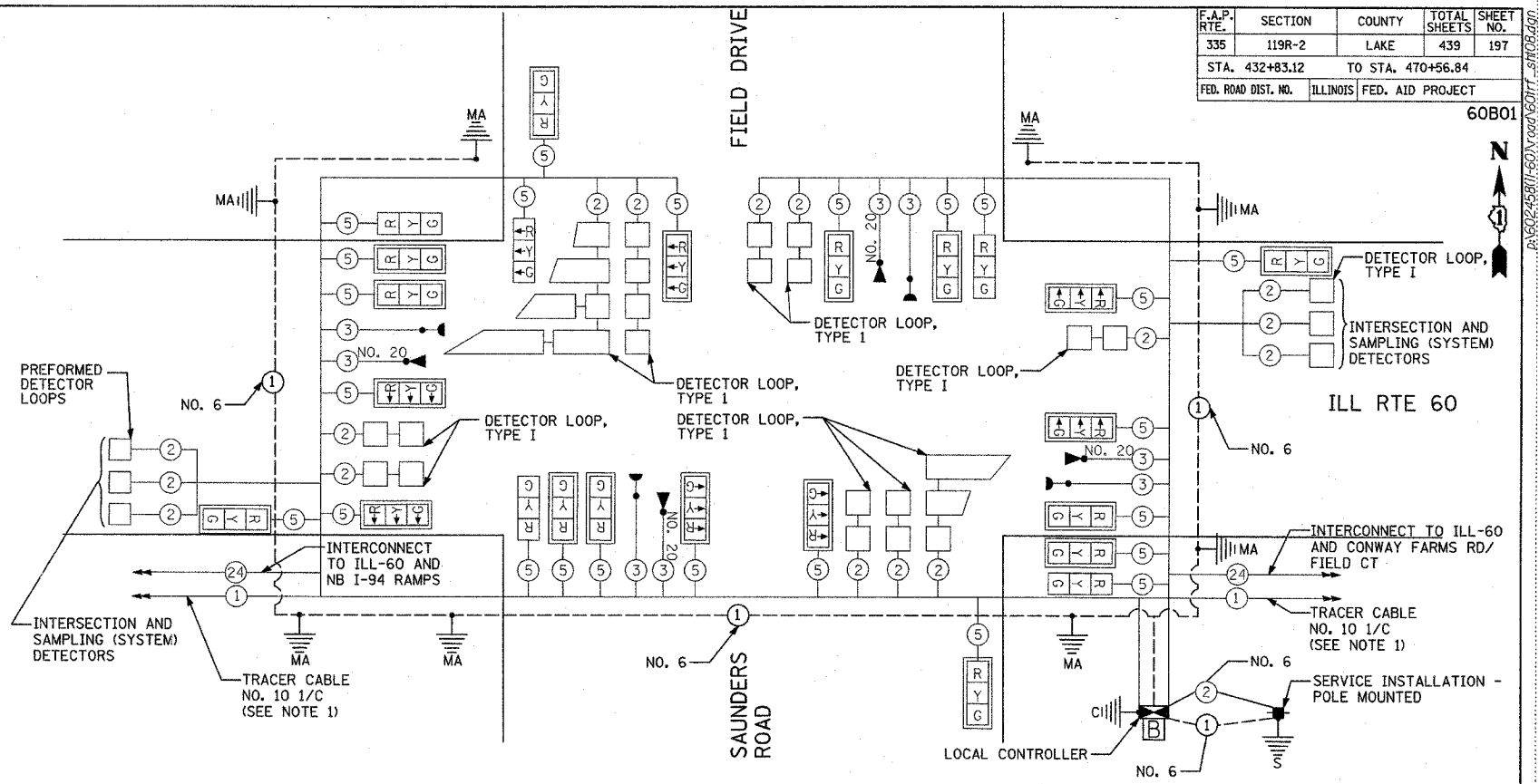
SCHEDULE OF QUANTITIES			
PAY ITEM	UNIT	QUANTITY	
CONDUIT IN TRENCH, 2" DIA., GALVANIZED STEEL	FOOT	24	
CONDUIT IN TRENCH, 2 1/2" DIA., GALVANIZED STEEL	FOOT	579	
CONDUIT IN TRENCH, 3" DIA., GALVANIZED STEEL	FOOT	48	
CONDUIT IN TRENCH, 4" DIA., GALVANIZED STEEL	FOOT	20	
CONDUIT PUSHED, 4" DIA., GALVANIZED STEEL	FOOT	651	
HANDHOLE HEAVY DUTY	EACH	5	
DOUBLE HANDHOLE	EACH	2	
ELECTRIC CABLE IN CONDUIT, GROUNDING, NO. 6 1C	FOOT	1505	
ELECTRIC CABLE IN CONDUIT, SIGNAL NO. 14 3C	FOOT	1040	
ELECTRIC CABLE IN CONDUIT, SIGNAL NO. 14 5C	FOOT	5923	
ELECTRIC CABLE IN CONDUIT, LEAD-IN, NO. 14 1 PAIR	FOOT	6205	
ELECTRIC CABLE IN CONDUIT, SERVICE, NO. 6 2C	FOOT	32	
STEEL MAST ARM ASSEMBLY AND POLE, 28 FT.	EACH	1	
STEEL MAST ARM ASSEMBLY AND POLE, 32 FT.	EACH	1	
STEEL MAST ARM ASSEMBLY AND POLE, 48 FT.	EACH	1	
STEEL MAST ARM ASSEMBLY AND POLE, 50 FT.	EACH	2	
STEEL MAST ARM ASSEMBLY AND POLE, 52 FT.	EACH	1	
STEEL MAST ARM ASSEMBLY AND POLE, 55 FT.	EACH	4	
CONCRETE FOUNDATION, TYPE D	FOOT	4	
CONCRETE FOUNDATION, TYPE E	FOOT	120	
30-INCH DIAMETER SIGNAL HEAD, L.E.D., 1-FACE, 3 SECTION, BRACKET MOUNTED	EACH	5	
SIGNAL HEAD, L.E.D., 1-FACE, 3 SECTION, MAST ARM MOUNTED	EACH	19	
TRAFFIC SIGNAL BACK PLATE, LOUVERED	EACH	19	
INDUCTIVE LOOP DETECTOR	EACH	16	
DETECTOR LOOP, TYPE I	FOOT	1232	
PREFORMED DETECTOR LOOPS	FOOT	119	
LIGHT DETECTOR	EACH	4	
LIGHT DETECTOR AMPLIFIER	EACH	4	
TRENCH AND BACKFILL FOR ELECTRICAL WORK	FOOT	922	
ELECTRIC CABLE IN CONDUIT, NO. 20 3/C, TWISTED, SHIELDED	FOOT	1040	
SIGN PANEL - TYPE 1	SQ FT	35	
FULL-ACTUATED CONTROLLER AND TYPE IV CABINET	EACH	1	
TRANSCIEVER - FIBER OPTIC	EACH	1	
REMOVE EXISTING TRAFFIC SIGNAL EQUIPMENT	EACH	1	
REMOVE EXISTING HANDHOLE	EACH	9	
REMOVE EXISTING CONCRETE FOUNDATION	EACH	9	
TEMPORARY TRAFFIC SIGNAL INSTALLATION	EACH	1	
UNINTERRUPTABLE POWER SUPPLY	EACH	1	
SERVICE INSTALLATION - POLE MOUNTED	EACH	1	
PAINT TRAFFIC SIGNAL EQUIPMENT	L SUM	1	
TEMPORARY TRAFFIC SIGNAL TIMINGS	EACH	1	

PROPOSED EMERGENCY VEHICLE PREEMPTORS				
EMERGENCY VEHICLE PREEMPTOR	3	4	5	6
MOVEMENT				

NOTES:

1. THE END OF THE TRACER CABLE SHALL BE CONTINUOUS AND EXTEND INTO THE CONTROLLER CABINET.

FOUNDATION (DEPTH)	FT. (m)	CABLE SLACK	FT. (m)	VERTICAL	FT. (m)
TYPE A - POST	4 (1.2)	HANDHOLE	6.5 (2.0)	ALL FOUNDATIONS	3.5 (1.0)
D - CONTROLLER	4 (1.2)	DOUBLE HANDHOLE	13 (4.0)	MAST ARM (L) POLE	20'+ L-2 = (6m+L-0.6m)
E - MAST ARM POLE		SIGNAL POST	2 (1.0)	BRACKET MOUNTED	13 (4.0)
24" (600mm)	10 (3.0)	CONTROLLER CAB.	1 (0.5)	PED. PUSHBUTTON	4 (1.2)
30" (750mm)	15 (4.6)	FIBER OPTIC	13 (4.0)	ELECTRIC SERVICE	13.5 (4.1)
		ELECTRIC SERVICE	1 (0.5)	ELECTRIC SERVICE	13.5 (4.1)
		GROUND CABLE	1 (0.5)	SERVICE TO GROUND	13.5 (4.1)
				POST MOUNTED	6 (1.8)



CABLE PLAN LEGEND

EXISTING	PROPOSED	DESCRIPTION
		8" (200mm) TRAFFIC SIGNAL SECTION
		12" (300mm) TRAFFIC SIGNAL SECTION
		12" (300mm) PEDESTRIAN SIGNAL SECTION
		12" (300mm) PEDESTRIAN SIGNAL SECTION
		CONTROLLER CABINET
		SERVICE INSTALLATION
		TELEPHONE CONNECTION
		MAGNETIC DETECTOR
		EMERGENCY VEHICLE LIGHT DETECTOR
		CONFIRMATION BEACON
		PUSHBUTTON DETECTOR
		VEHICLE DETECTOR, INDUCTION LOOP
		1 DENOTES NUMBER OF CONDUCTORS, ALL CABLE NO. 14 EXCEPT AS INDICATED. ALL LOOP DETECTOR CABLE TO BE SHIELDED.
		24 FIBER OPTIC CABLE IN CONDUIT, NO. 62.5/125 MM12F & SM12F
		UNINTERRUPTABLE POWER SUPPLY (UPS)

I.D.O.T. TRAFFIC SIGNAL INSTALLATION ELECTRICAL SERVICE REQUIREMENTS					
TYPE	NO. OF LAMPS	WATTAGE		% OPERATIONS	TOTAL WATTAGE
		INCAND.	LED		
SIGNAL (RED)	16	135	17	0.50	136
(YELLOW)	16	135	25	0.25	100
(GREEN)	16	135	15	0.25	60
ARROW	24	135	12	0.10	28.8
PED. SIGNAL	0	90	25	1.00	0
CONTROLLER	1	100	100	1.00	100
ILLUM. SIGN	0			0.05	0
FLASHER	0			0.05	0
ENERGY COSTS TO: TOTAL =					424.8

ILLINOIS DEPARTMENT OF TRANSPORTATION
DIVISION OF HIGHWAYS/DISTRICT 1
201 WEST CENTER COURT/SCHAUMBURG, ILLINOIS 60196-1096

ENERGY SUPPLY: CONTACT: JOHN PRIBICH
PHONE: 630-437-2212
COMPANY: COMED

TYLIN INTERNATIONAL

REVISIONS	
NAME	DATE

ILLINOIS DEPARTMENT OF TRANSPORTATION
ILLINOIS RTE 60 OVER I-94
SCHEDULE OF QUANTITIES, CABLE PLAN,
AND PHASE DESIGNATION DIAGRAM
ILL RTE. 60 AND SAUNDERS RD/FIELD DR

SCALE: NONE
DATE: MAY 8, 2007

DRAWN BY: CBS
CHECKED BY: DMJ

5/11/2007 11:51:30 AM