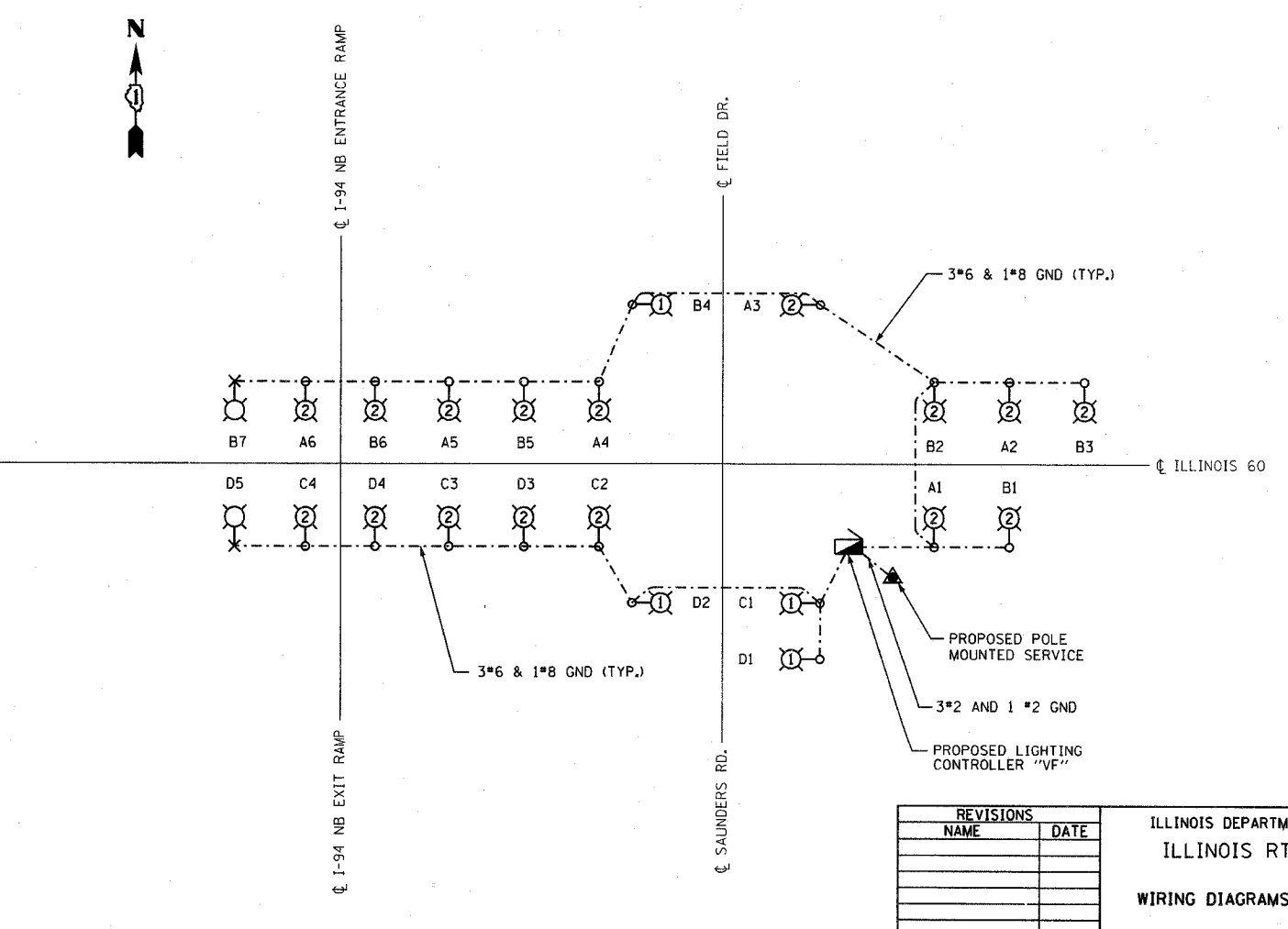
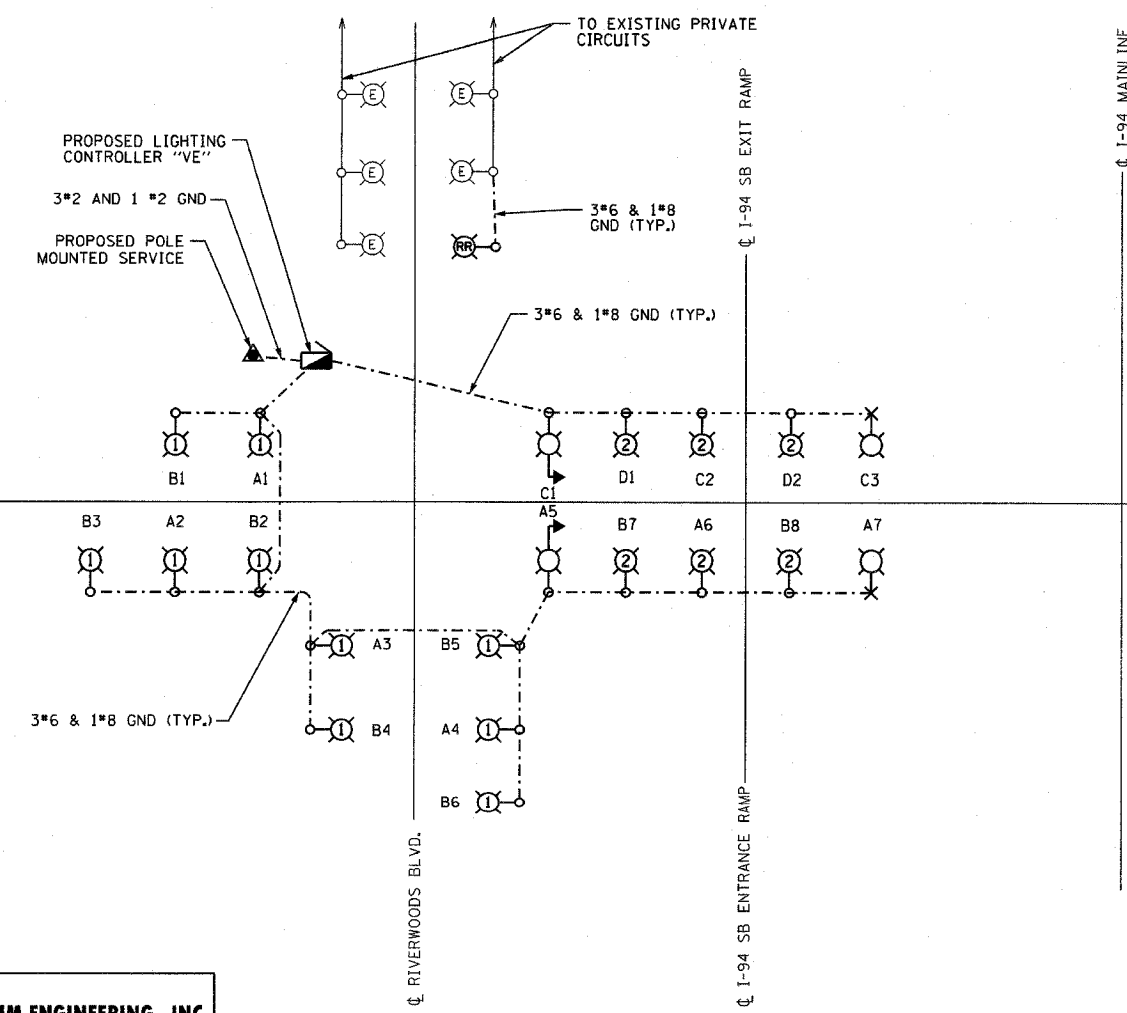
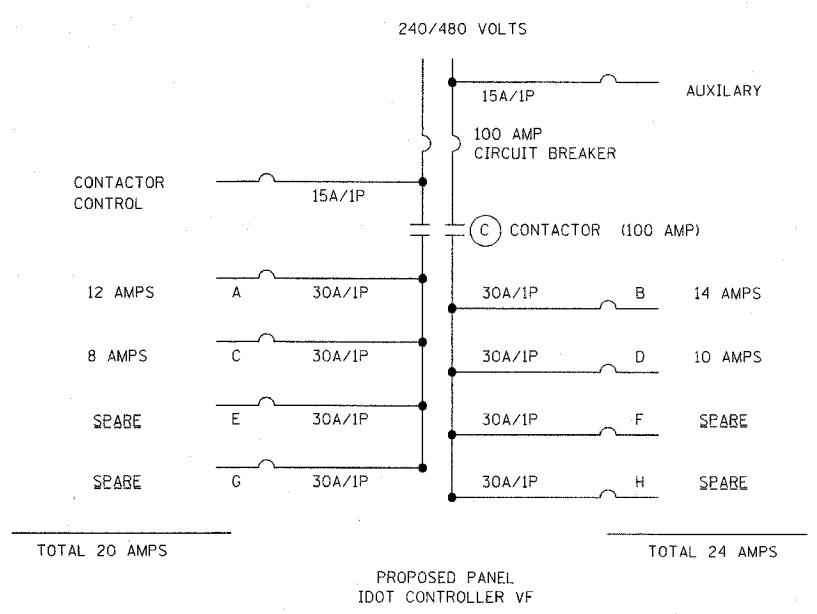
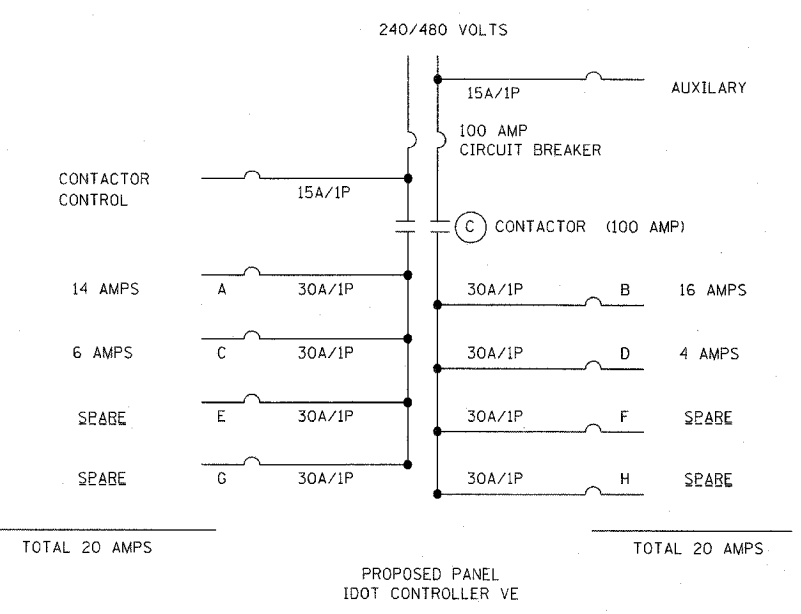


F.A.P. RTE.	SECTION	COUNTY	TOTAL SHEETS	SHEET NO.
335	119R-2	LAKE	439	241
STA.	TO STA.			
FED. ROAD DIST. NO.	ILLINOIS FED. AID PROJECT		60B01	



EJM ENGINEERING, INC.
 411 South Wells Street Suite 800
 Chicago, Illinois 60607

REVISIONS	
NAME	DATE

ILLINOIS DEPARTMENT OF TRANSPORTATION
 ILLINOIS RTE 60 OVER I-94
 WIRING DIAGRAMS & LOAD TABULATIONS

S.N. _____ DESIGNED BY: JDM
 SCALE: NONE DRAWN BY: JDM
 DATE: MAY 8, 2007 CHECKED BY: RES

SHEET EL-07 OF 13