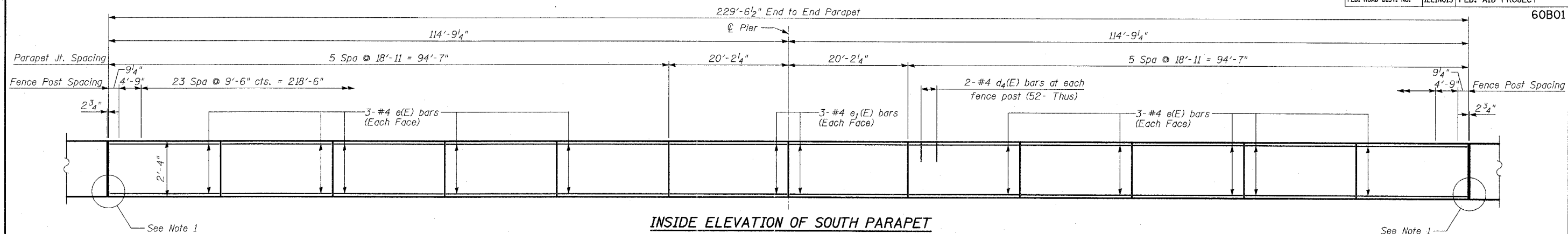
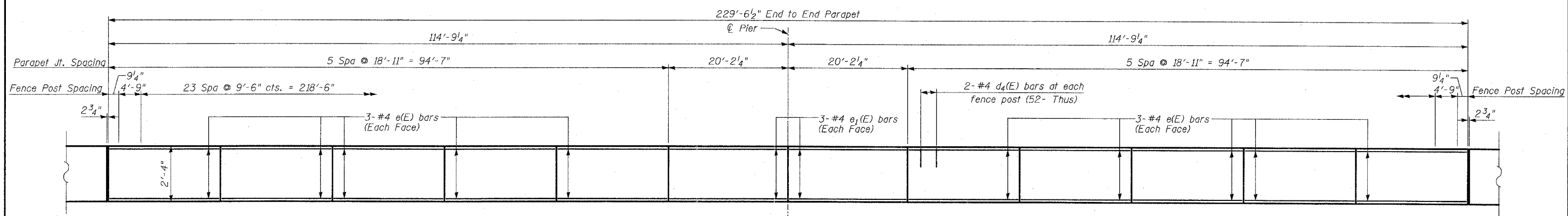


F.A.P. RTE.	SECTION	COUNTY	TOTAL SHEETS	SHEET NO.
335	119R-2	LAKE	439	266
STA. 432+83.12		TO STA. 470+56.84		
FED. ROAD DIST. NO.	ILLINOIS	FED. AID PROJECT		

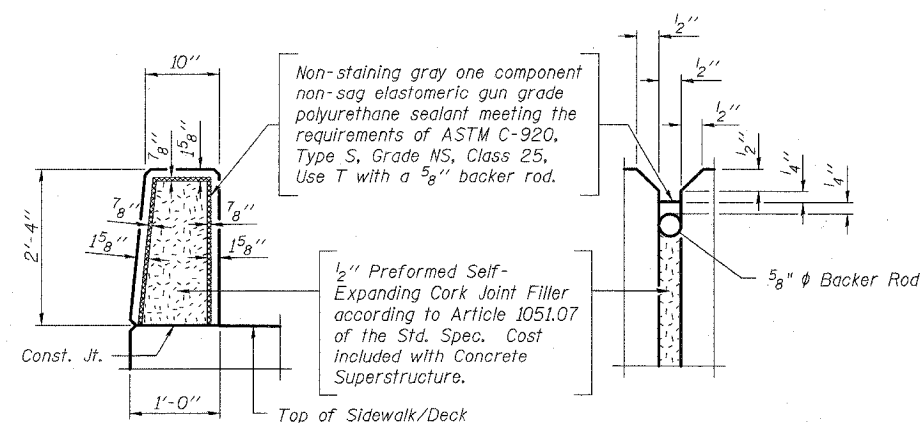
60B01



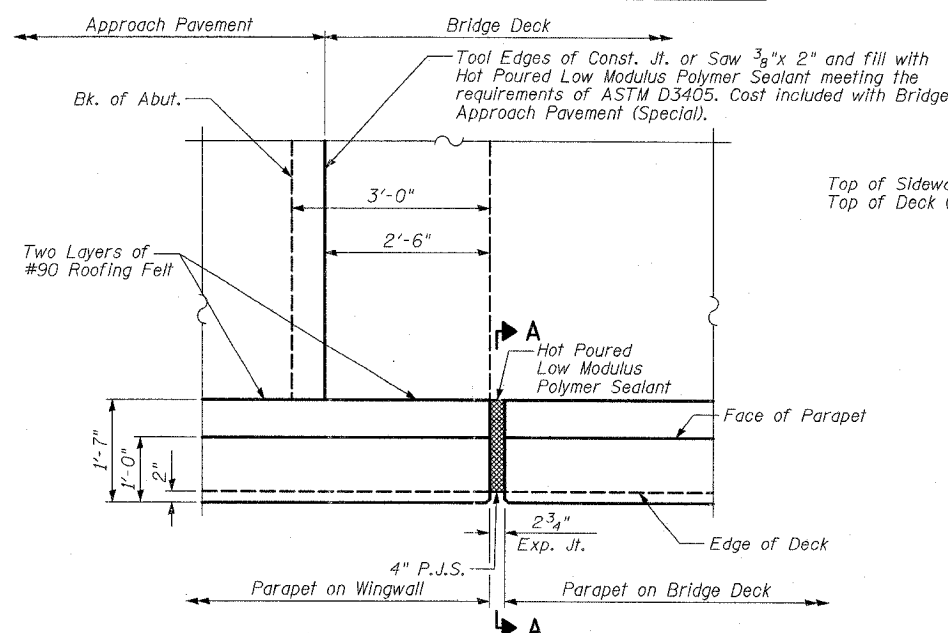
**INSIDE ELEVATION OF SOUTH PARAPET**



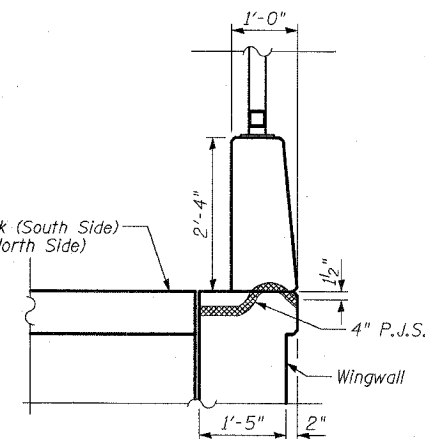
**INSIDE ELEVATION OF NORTH PARAPET**



**PARAPET JOINT DETAILS**



**DETAIL A**  
South West Corner Shown  
(Other Corners Similar)



**SECTION A-A**

**PREFORMED JOINT SEALER**

Cost of Preformed Joint Sealer to be included with Concrete Superstructure.

**NOTE:**

1. Provide expansion coupling per Section 812 of the Standard Specifications for embedded conduits.

SHEET S-19 OF S-53

REVISIONS	
NAME	DATE

ILLINOIS DEPARTMENT OF TRANSPORTATION  
**SIDEWALK PARAPET ELEVATIONS**  
 ILLINOIS 60 OVER I-94  
 F.A.P. RTE. 335 SECTION 119R-2  
 LAKE COUNTY STA. 445+54.14  
 S.N. 049-2012 ISTHA BRIDGE NO. 407  
 DESIGNED BY: DE  
 DRAWN BY: DE  
 SCALE: \_\_\_\_\_  
 DATE: MAY 8, 2007  
 CHECKED BY: SP

**TYLIN INTERNATIONAL**

A:\0245811-60\Structural\Drawings\60B01.DWG 04:30:26 PM