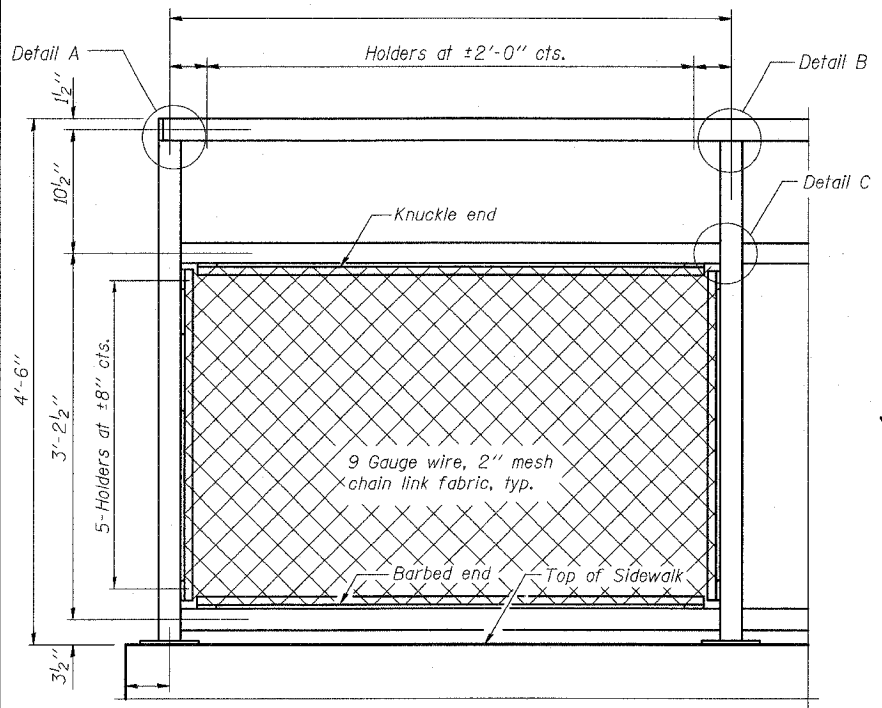
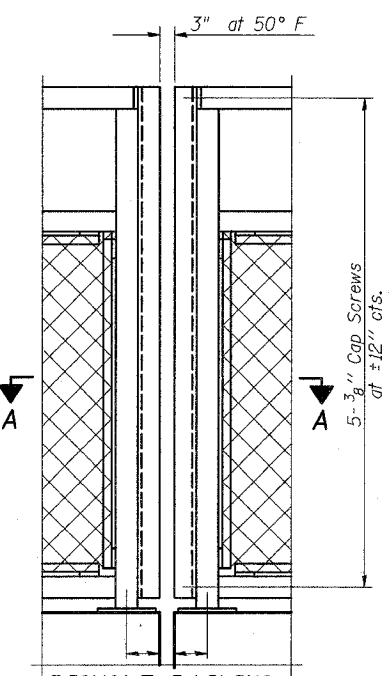


F.A.P. RTE.	SECTION	COUNTY	TOTAL SHEETS	SHEET NO.
335	119R-2	LAKE	439	269
STA. 432+83.12		TO STA. 470+56.84		
FED. ROAD DIST. NO.	ILLINOIS	FED. AID PROJECT		

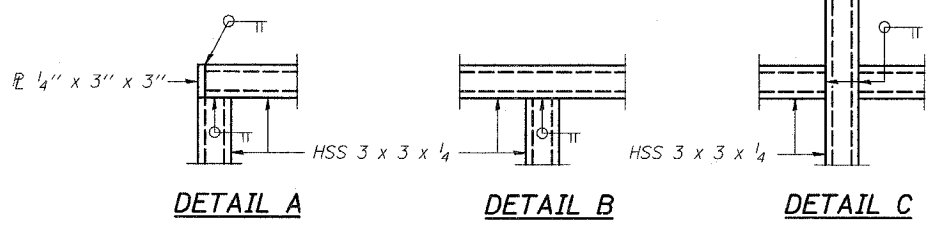
60B01



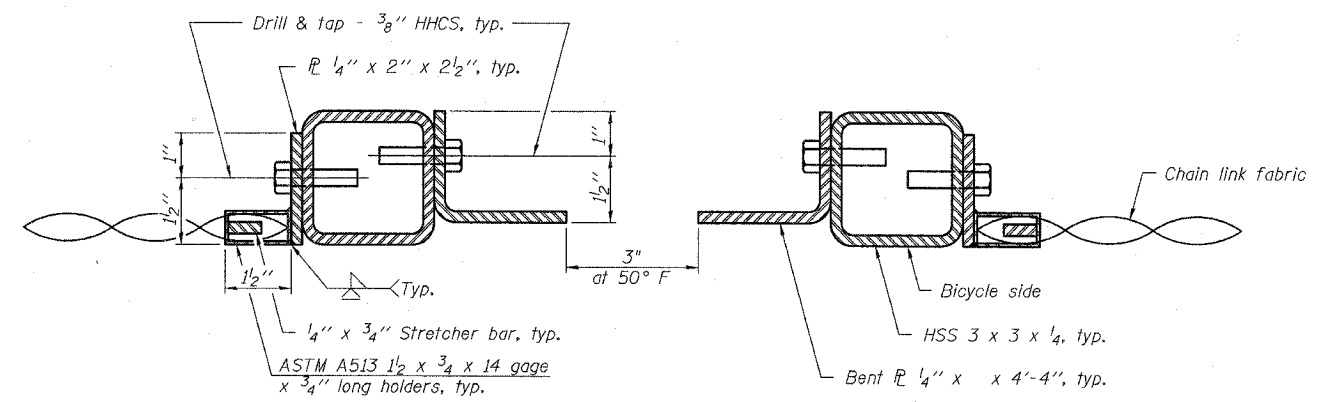
**BICYCLE RAILING**



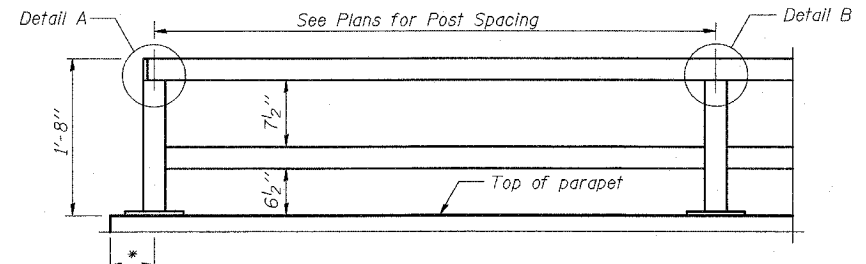
**BICYCLE RAILING**



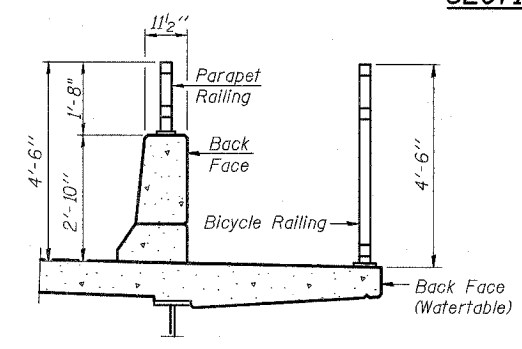
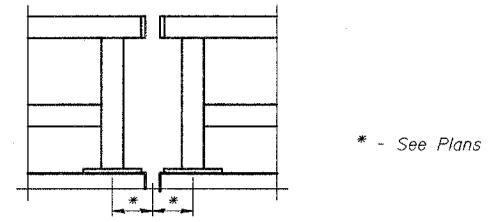
**NOTES:**  
 1. All steel rail elements shall be galvanized according to Article 509.05 of the Standard Specifications.



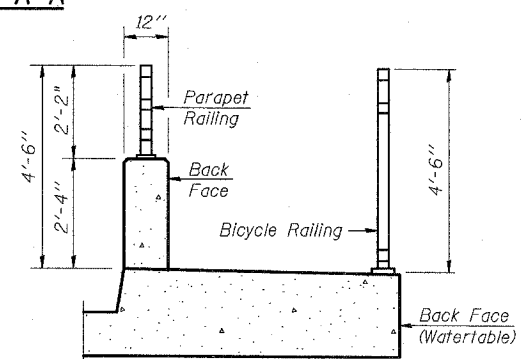
**SECTION A-A**



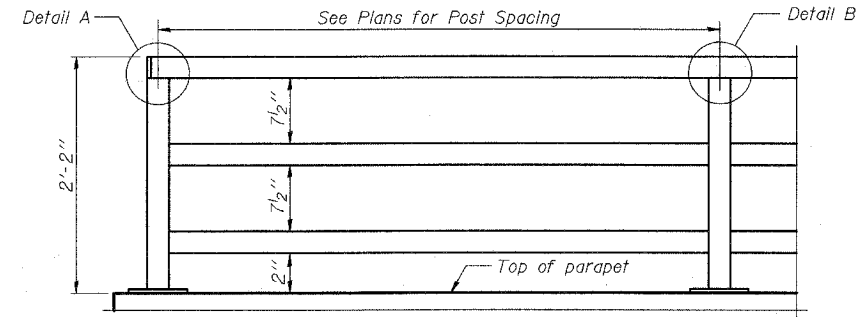
**PARAPET RAILING ELEVATION**  
 (Inside Face of Two Element Rail)



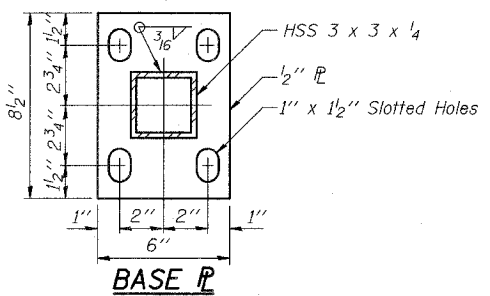
**SECTION THRU DECK**



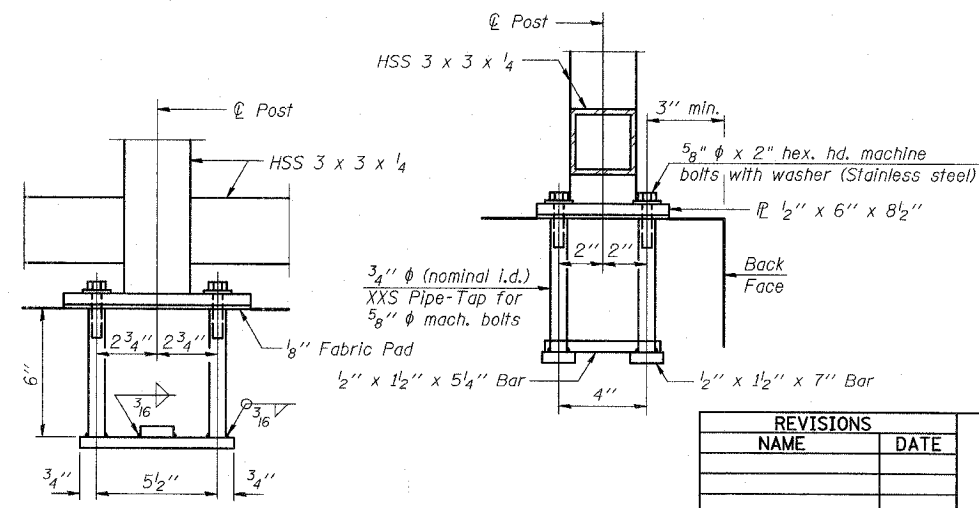
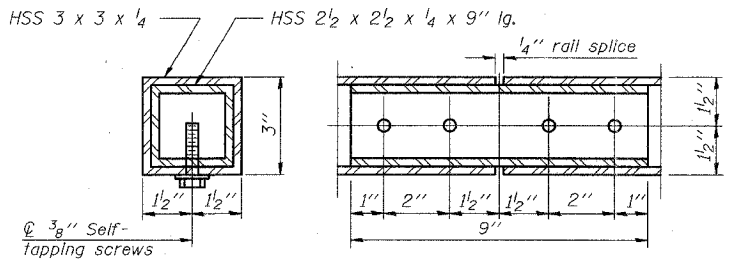
**SECTION THRU SIDEWALK**



**PARAPET RAILING ELEVATION**  
 (Inside Face of Three Element Rail)



**RAIL SPLICE**



**ANCHOR BOLT DETAILS**  
 In lieu of the cast-in-place anchor device shown, the Contractor has the option of drilling and setting 5/8" φ anchor rods according to Article 509.06 of the Standard Specifications. Embedment shall be according to the manufacturer's specifications.

**BILL OF MATERIAL**

Item	Unit	Quantity
Parapet Railing	Foot	295

REVISIONS

NAME	DATE

SHEET S-22 OF S-53  
 ILLINOIS DEPARTMENT OF TRANSPORTATION  
**PARAPET RAILING DETAILS**  
 ILLINOIS 60 OVER I-94  
 F.A.P. RTE. 335 SECTION 119R-2  
 LAKE COUNTY STA. 445+54.14  
 S.N. 049-2012 ISTHA BRIDGE NO. 407  
 DESIGNED BY: DE  
 DRAWN BY: DE  
 CHECKED BY: SP  
 SCALE:  
 DATE: MAY 8, 2007

**TYLIN INTERNATIONAL**

05/03/2007 04:30:33 PM