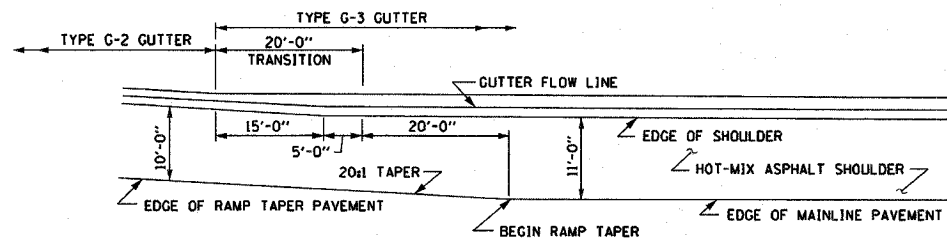
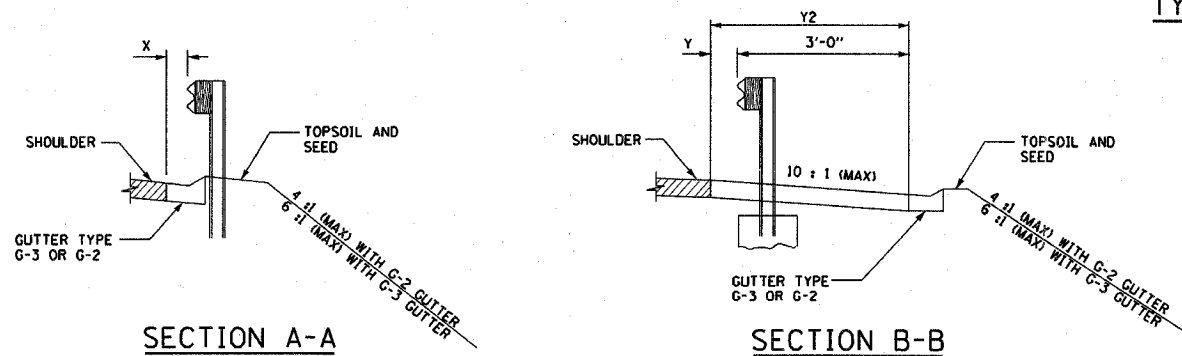


GUTTER TRANSITION AT ENTRANCE RAMP TERMINALS



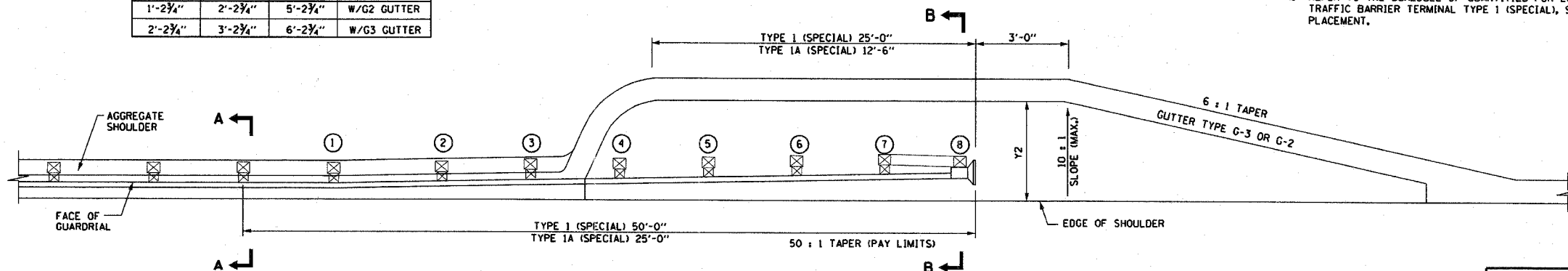
GUTTER TRANSITION AT EXIT RAMP TERMINALS



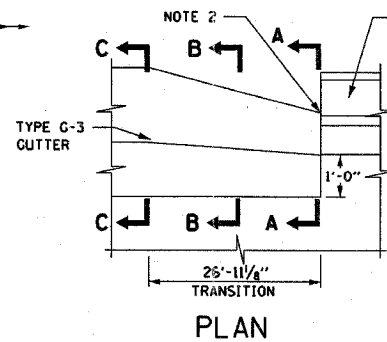
SECTION A-A

SECTION B-B

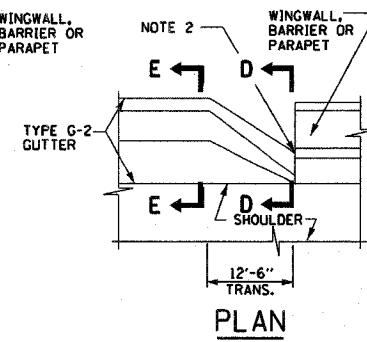
X	Y	Y2	CONDITION
1'-2 3/4"	2'-2 3/4"	5'-2 3/4"	W/G2 GUTTER
2'-2 3/4"	3'-2 3/4"	6'-2 3/4"	W/G3 GUTTER



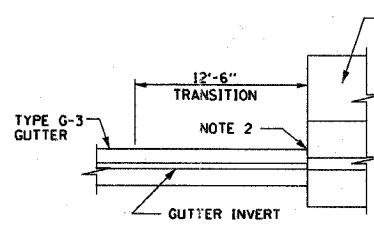
GUTTER TRANSITION AT TANGENT TRAFFIC BARRIER TERMINAL,
TYPE 1 & 1A (SPECIAL)



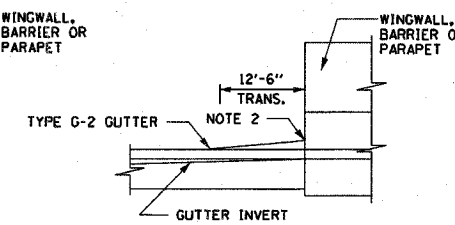
PLAN



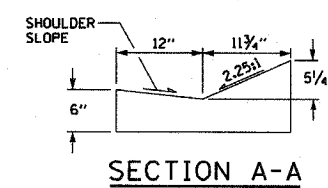
PLAN



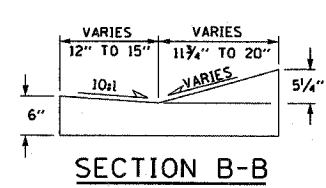
ELEVATIONS
TYPE G-3



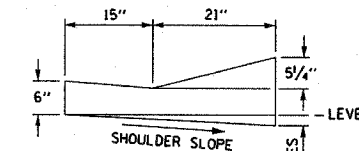
ELEVATION
TYPE G-2



SECTION A-A

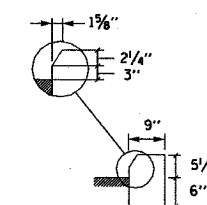


SECTION B-B

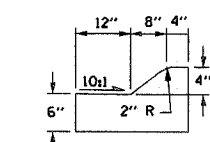


SECTION C-C

NORMAL TYPE G-3 GUTTER



SECTION D-D



SECTION E-E

NORMAL TYPE G-2 GUTTER

GUTTER TRANSITIONS AT BRIDGE DEPARTURES

GUTTER TRANSITION NOTES:

1. TRANSITIONS SHALL BE PAID FOR PER LINEAR FOOT FOR CONCRETE GUTTER, TYPE G-3.
2. PROVIDE 1" EXPANSION JOINT WITH PREFORMED JOINT FILLER BETWEEN TRANSITION SECTION AND WINGWALL.
3. SEE STANDARD B3 (TYPE G-2/G-3 GUTTER TRANSITION AT TRAFFIC BARRIER TERMINAL, TYPE 6) FOR G-3 GUTTER TRANSITION AT BRIDGE APPROACH.
4. REFER TO THE SCHEDULE OF QUANTITIES FOR LOCATIONS OF TRAFFIC BARRIER TERMINAL TYPE 1 (SPECIAL), SPECIAL PLACEMENT.

APPROVED: *Jeff Staley*
CHIEF ENGINEER DATE 1-1-2007

DATE	REVISIONS

Illinois Tollway
Open Roads for a Faster Future

TYPE G-2 AND G-3
GUTTER TRANSITIONS

STANDARD B2-00