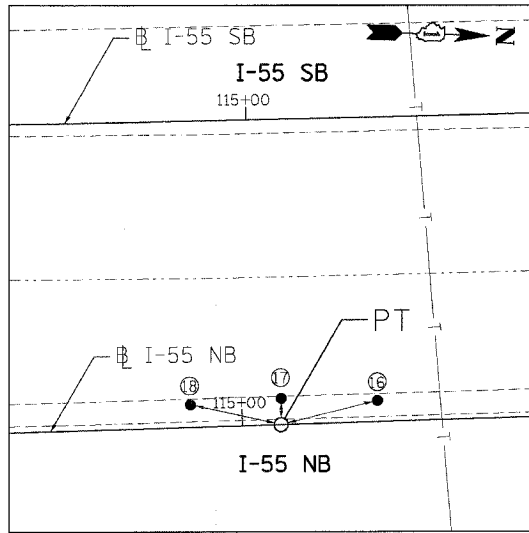
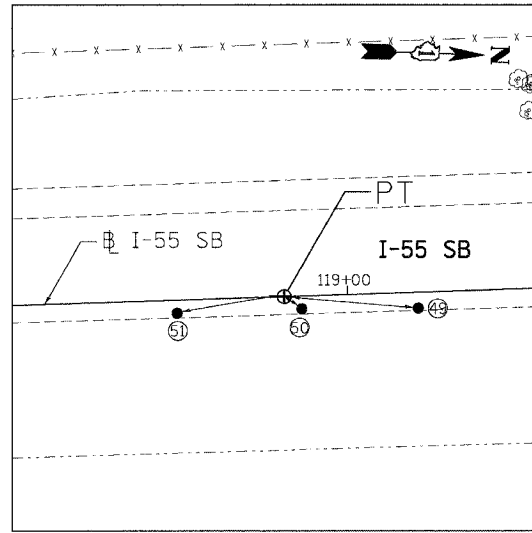


F.A.I. RTE.	SECTION	COUNTY	TOTAL SHEETS	SHEET NO.
55	2007-003 I	WILL	44	9
STA. TO STA.		FED. ROAD DIST. NO. ILLINOIS FED. AID PROJECT		



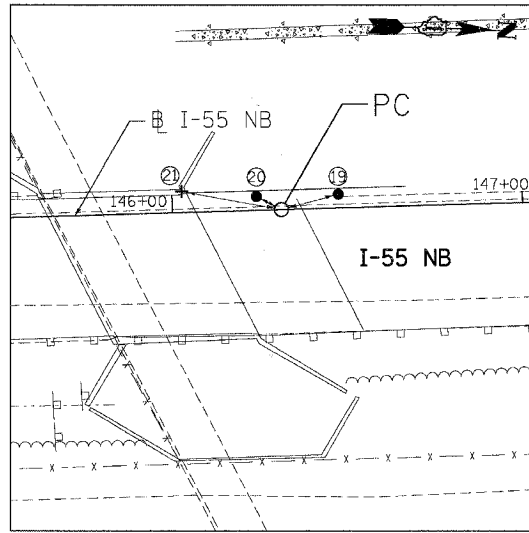
PT STA. 115+11.06 (SET PK NAIL)

- 16 SET PK NAIL, 28.36'
- 17 FND PK NAIL, 7.61'
- 18 SET PK NAIL, 26.54'



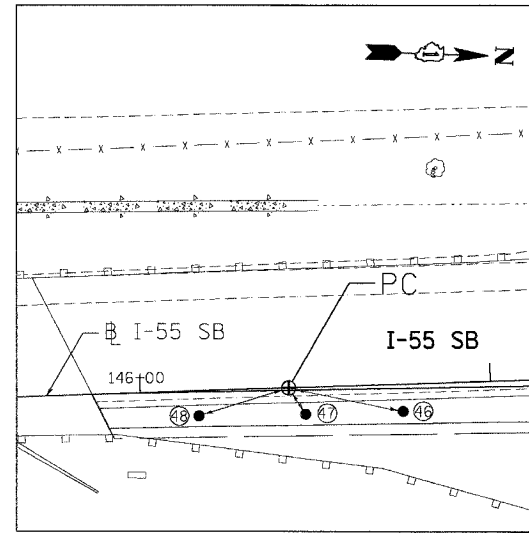
PT STA. 118+81.88 (SET PK NAIL)

- 49 SET PK NAIL, 31.02'
- 50 SET PK NAIL, 5.81'
- 51 SET PK NAIL, 26.49'



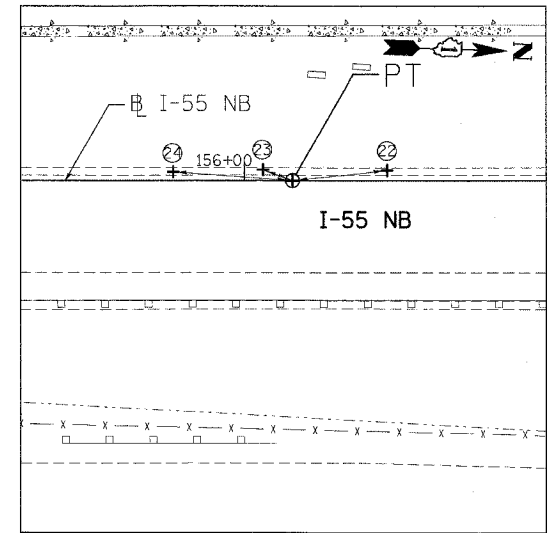
PC STA. 146+31.11 (SET PK NAIL)

- 19 SET PK NAIL, 16.73'
- 20 SET PK NAIL, 8.13'
- 21 SET + T/BWW, 28.94'



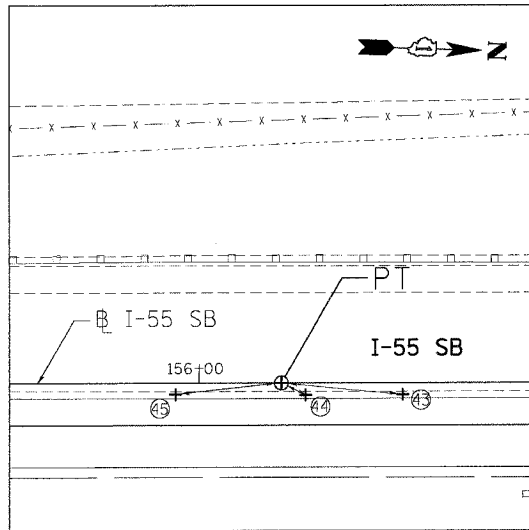
PC STA. 146+42.42 (SET CROSS)

- 46 SET PK NAIL, 33.33'
- 47 SET PK NAIL, 8.94'
- 48 SET PK NAIL, 26.82'



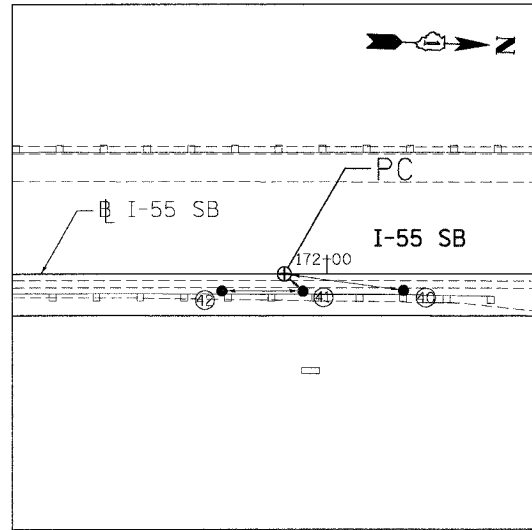
PT STA. 156+13.82 (SET C/CROSS)

- 22 SET CUT/CROSS, 27.17'
- 23 SET CUT/CROSS, 8.95'
- 24 SET CUT/CROSS, 34.13'



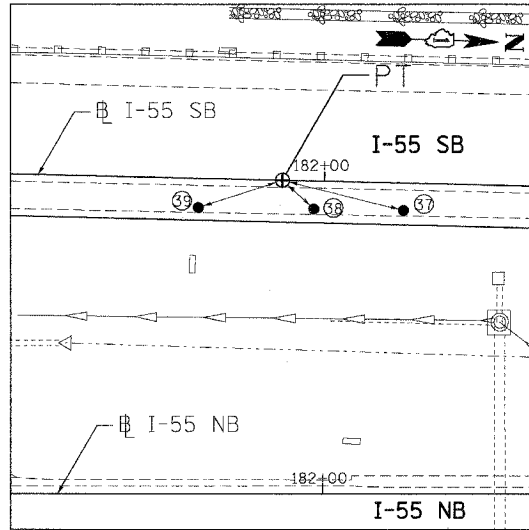
PT STA. 156+23.52 (SET CROSS)

- 43 SET CROSS, 34.81'
- 44 SET CROSS, 7.69'
- 45 SET CROSS, 30.39'



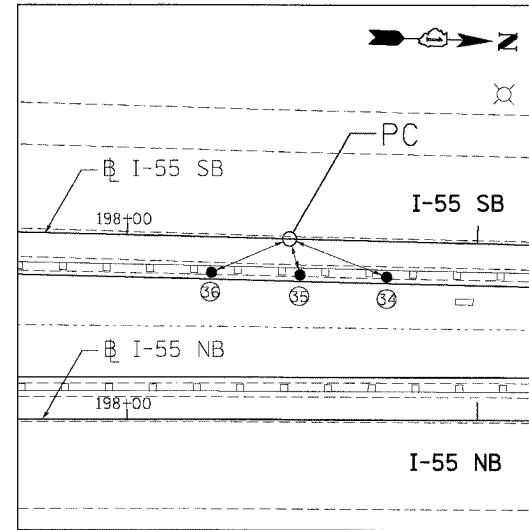
PC STA. 171+87.88 (SET CROSS)

- 42 SET PK NAIL, 34.28'
- 43 SET PK NAIL, 7.24'
- 44 SET PK NAIL, 23.16'



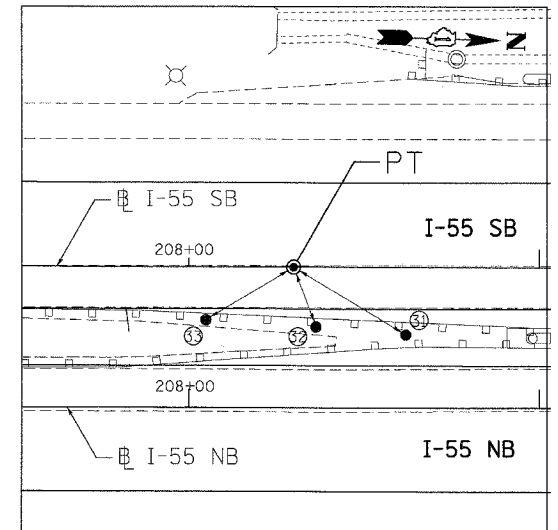
PT STA. 181+88.00 (SET CROSS)

- 57 SET PK NAIL, 35.57'
- 58 SET PK NAIL, 12.11'
- 59 SET PK NAIL, 25.25'



PC STA. 198+46.34 (SET PK NAIL)

- 34 SET PK NAIL, 29.66'
- 35 SET PK NAIL, 10.60'
- 36 SET PK NAIL, 24.34'



PT STA. 208+29.87

- 31 SET PK NAIL, 37.30'
- 32 SET PK NAIL, 18.07'
- 33 SET PK NAIL, 29.25'

PLOT DATE = 05/10/07
 FILE NAME = 051007.DWG
 PLOT SCALE = 1"=40'
 USER NAME = USER10
 \BDS\101007.DWG, \XREF\101007.DWG, \XREF\101007.DWG, \XREF\101007.DWG
 5:05:2007, 52626 STANKISJ SR\DOCUMENTS\2007\501\CIVIL\07\101007.SHT

REVISIONS	
NAME	DATE

ILLINOIS DEPARTMENT OF TRANSPORTATION
 FAI ROUTE 55 (U.S. 6 TO U.S. 30)
 PARK AND RIDE LOTS

ALIGNMENT, TIES AND BENCHMARKS III

SCALE: N.T.S. DRAWN BY RJS
 DATE 05/10/07 CHECKED BY DDH

TENG
 TENG & ASSOCIATES, INC.
 ENGINEERS/ARCHITECTS/PLANNERS
 CHICAGO, ILLINOIS