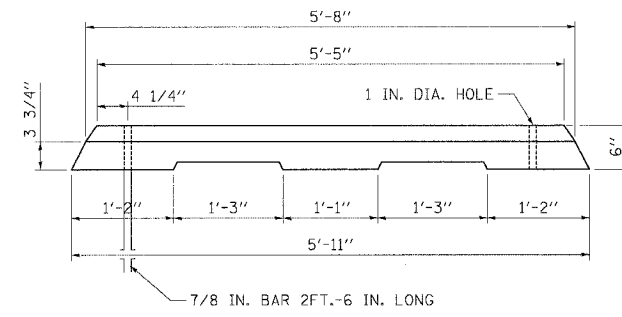
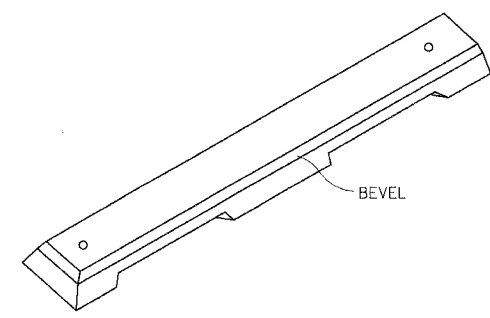
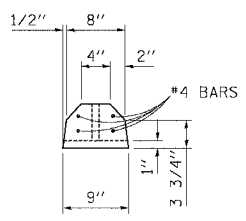


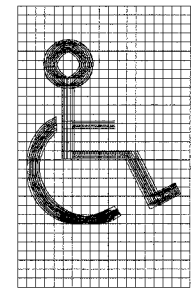
F.A.I. RT.	SECTION	COUNTY	TOTAL SHEETS	SHEET NO.
55	2007-003 I	WILL	44	15
STA.		TO STA.		
FED. ROAD DIST. NO.		ILLINOIS FED. AID PROJECT		



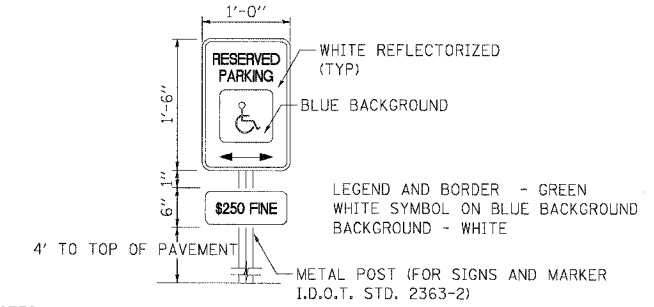
WEIGHT: 275 LBS.
CONCRETE SPEC.: 3500 PSI @ 28 DAYS



PARKING BLOCK DETAIL
N.T.S.

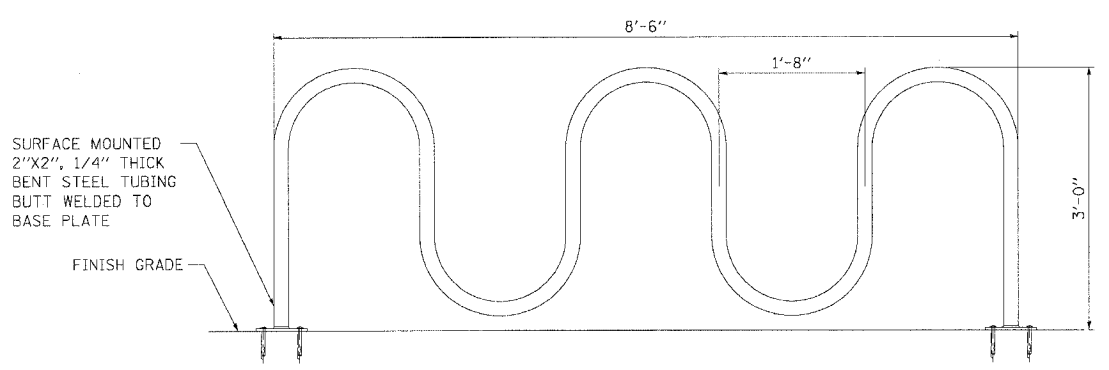


BACKGROUND - BLUE
SYMBOL - WHITE

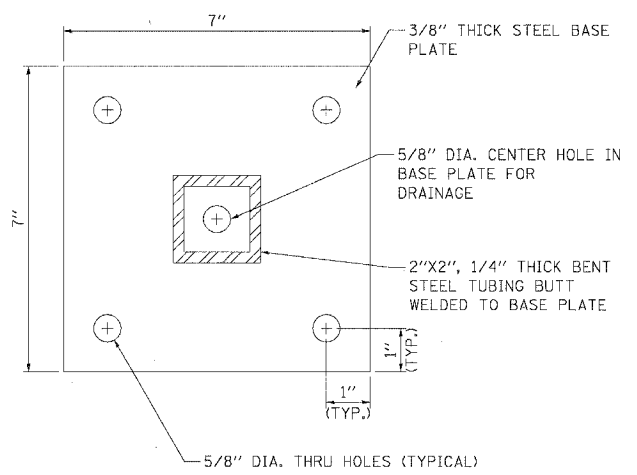


NOTES:
"RESERVED PARKING" SIGN SHALL CONFORM TO RT-8 U.S. DEPARTMENT OF TRANSPORTATION STANDARD AS SHOWN AND DESCRIBED IN THE ILLINOIS ACCESSIBILITY CODE.
"\$250 FINE" SIGN SHALL CONFORM TO THE DESIGN SHOWN IN THE ILLINOIS ACCESSIBILITY CODE.

HANDICAP SIGN DETAIL
N.T.S.

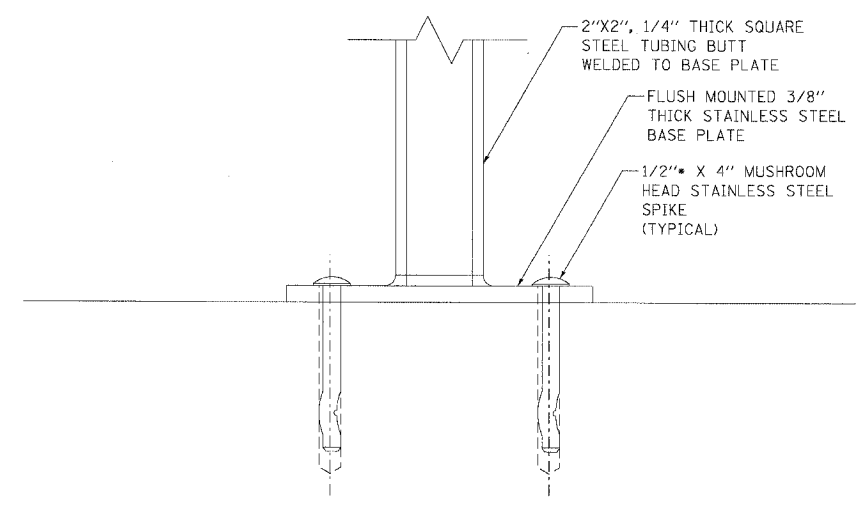


BICYCLE RACK
N.T.S.



BASE ENLARGEMENT SECTION
N.T.S.

NOTE:
SQUARE STEEL TUBING SHALL BE ACCORDING TO ASTM A 500.



BASE PLATE DETAIL
N.T.S.

REVISIONS	
NAME	DATE

ILLINOIS DEPARTMENT OF TRANSPORTATION
FAI ROUTE 55 (U.S. 6 TO U.S. 30)
PARK AND RIDE LOTS

ROADWAY AND SIGN DETAILS

SCALE: N.T.S. DRAWN BY JFS
DATE 05/15/07 CHECKED BY DDH

TENG
TENG & ASSOCIATES, INC.
ENGINEERS/ARCHITECTS/PLANNERS
CHICAGO, ILLINOIS

PLOT DATE = 05/15/07
 FILE NAME = 051507.DWG
 PLOT SCALE = 1/8"=1'-0"
 USER NAME = JFS
 B:\PROJECTS\2007\051507\051507.DWG
 STANKITZ