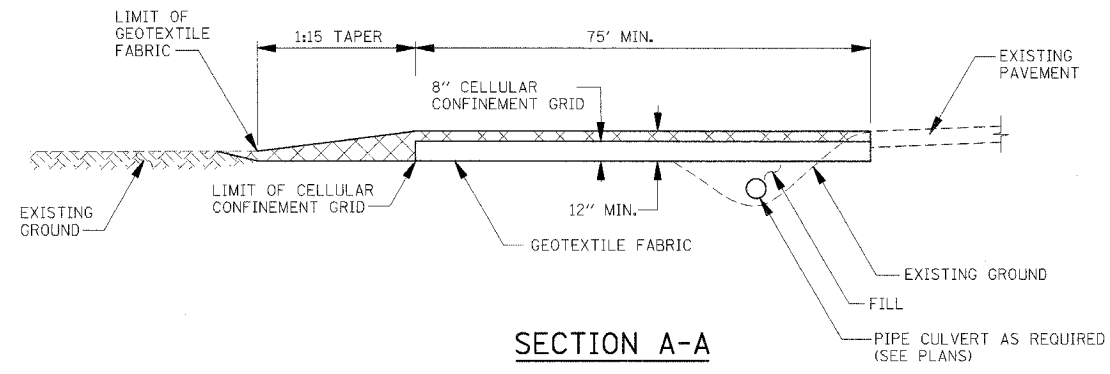
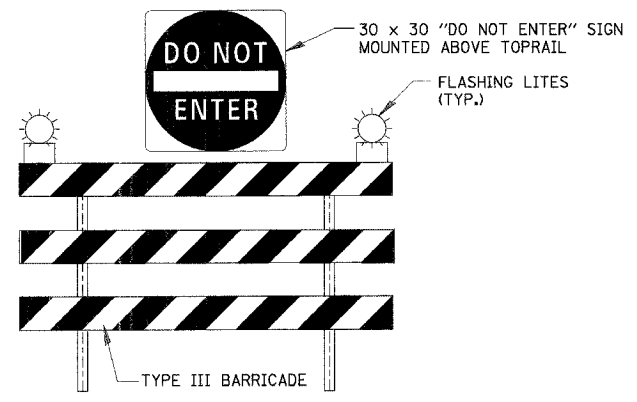


F.A.I. RTE.	SECTION	COUNTY	TOTAL SHEETS	SHEET NO.
55	2007-003 I	WILL	44	22
STA.		TO STA.		
FED. ROAD DIST. NO.		ILLINOIS FED. AID PROJECT		



**CONSTRUCTION SPECIFICATIONS AND NOTES**

- STABILIZED CONSTRUCTION ENTRANCE
  - LENGTH - AS REQUIRED, BUT NOT LESS THAN 75'.
  - THICKNESS - NOT LESS THAN 4", ABOVE TOP OF CELLULAR CONFINEMENT GRID.
- TEMPORARY PAVEMENT THICKNESS SHALL BE 8".
- ALL DIMENSIONS ARE IN FEET UNLESS OTHERWISE NOTED.
- EXISTING DITCH DRAINAGE TO BE MAINTAINED.
- INSTALL A MINIMUM OF 2 TYPE III BARRICADES WITH FLASHING LIGHTS AND 1 DO NOT ENTER SIGN AT ALL TIMES WHEN NO WORK IS PERFORMED AT THE SITE. THE COST OF INSTALLING, MAINTAINING AND REMOVING ALL BARRICADES AND SIGNS SHOWN ON THIS SHEET SHALL BE INCLUDED IN THE UNIT PRICE FOR "TRAFFIC CONTROL AND PROTECTION (SPECIAL)".



**TYPE III BARRICADE DETAIL**

PLOT DATE = #DATE\*  
 PLOT NAME = #FILE\*  
 PLOT NO. = #PLOT\*  
 USER NAME = #USER\*  
 STANKTRJ  
 S:\DOCUMENT\02361581\CTV\LDON\EDU\A0015HT  
 \BSP\HAR\LDON  
 5-15-2007, 11:20:51

REVISIONS	
NAME	DATE

ILLINOIS DEPARTMENT OF TRANSPORTATION  
 FAI ROUTE 55 (U.S. 6 TO U.S. 30)  
 PARK AND RIDE LOTS

**EROSION & SEDIMENT CONTROL  
 STABILIZED CONSTRUCTION  
 ENTRANCE**

SCALE: \_\_\_\_\_ DRAWN BY JFS  
 DATE 05/15/07 CHECKED BY DDH

**TENG** TENG & ASSOCIATES, INC.  
 ENGINEERS/ARCHITECTS/PLANNERS  
 CHICAGO, ILLINOIS