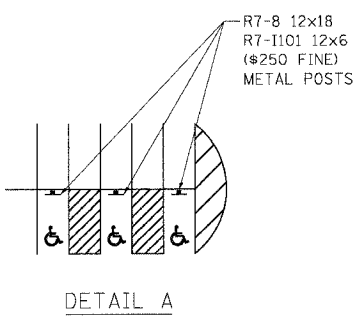
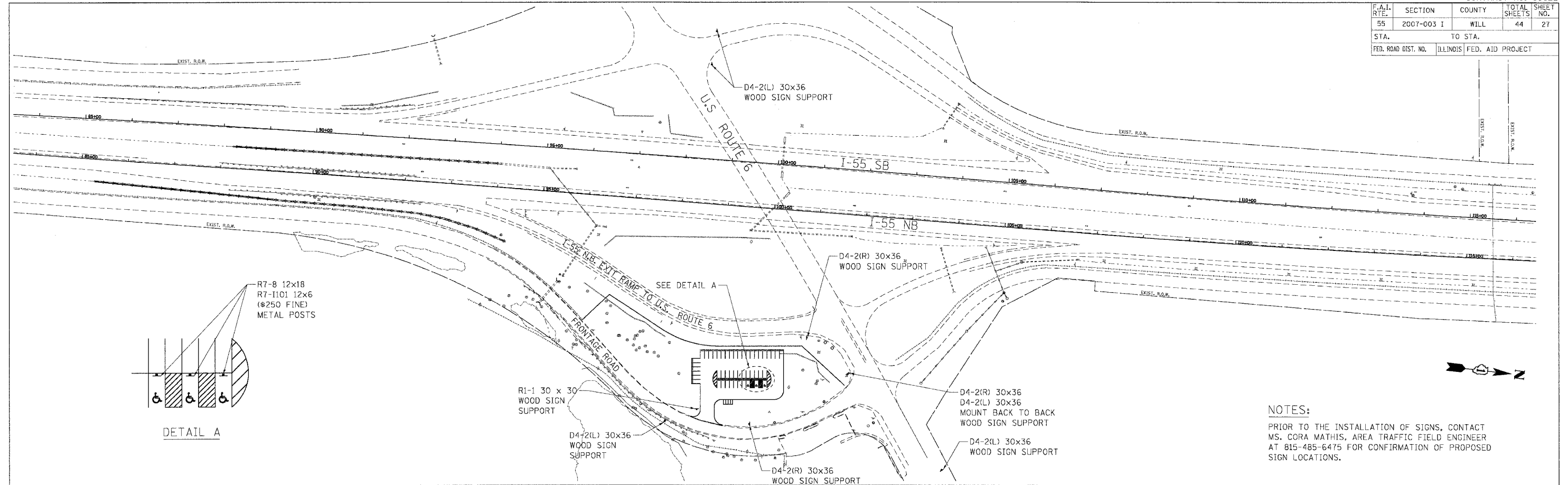
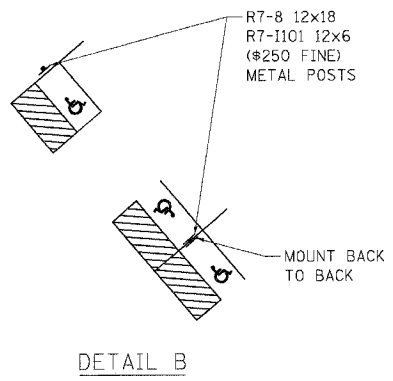
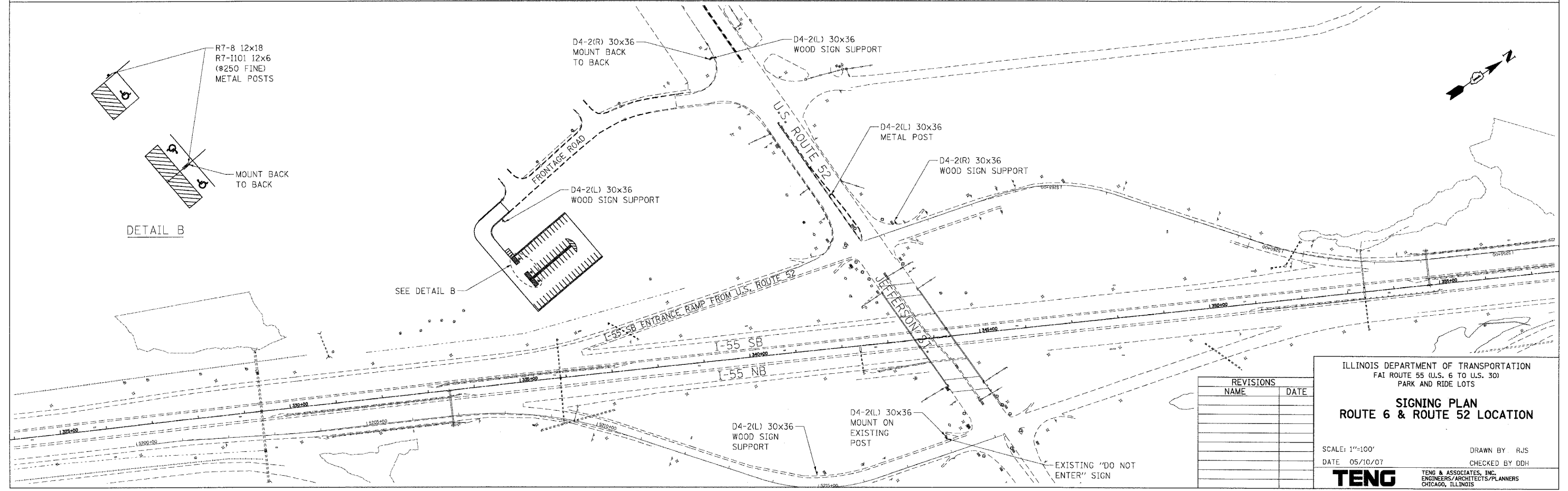


FAI RTE.	SECTION	COUNTY	TOTAL SHEETS	SHEET NO.
55	2007-003 I	WILL	44	27
STA.	TO STA.			
FED. ROAD DIST. NO.	ILLINOIS	FED. AID PROJECT		



NOTES:
PRIOR TO THE INSTALLATION OF SIGNS, CONTACT MS. CORA MATHIS, AREA TRAFFIC FIELD ENGINEER AT 815-485-6475 FOR CONFIRMATION OF PROPOSED SIGN LOCATIONS.



REVISIONS	
NAME	DATE

ILLINOIS DEPARTMENT OF TRANSPORTATION
FAI ROUTE 55 (U.S. 6 TO U.S. 30)
PARK AND RIDE LOTS

SIGNING PLAN
ROUTE 6 & ROUTE 52 LOCATION

SCALE: 1"=100'
DATE 05/10/07

DRAWN BY: RJS
CHECKED BY: DDH

TENG
TENG & ASSOCIATES, INC.
ENGINEERS/ARCHITECTS/PLANNERS
CHICAGO, ILLINOIS

PLOT DATE: 05/10/07
 FILE NAME: I:\PROJECTS\2007\05\07\2007-003\05\10\07\2007-003-027.DWG
 PLOT SCALE: 1"=100'
 USER NAME: RJS