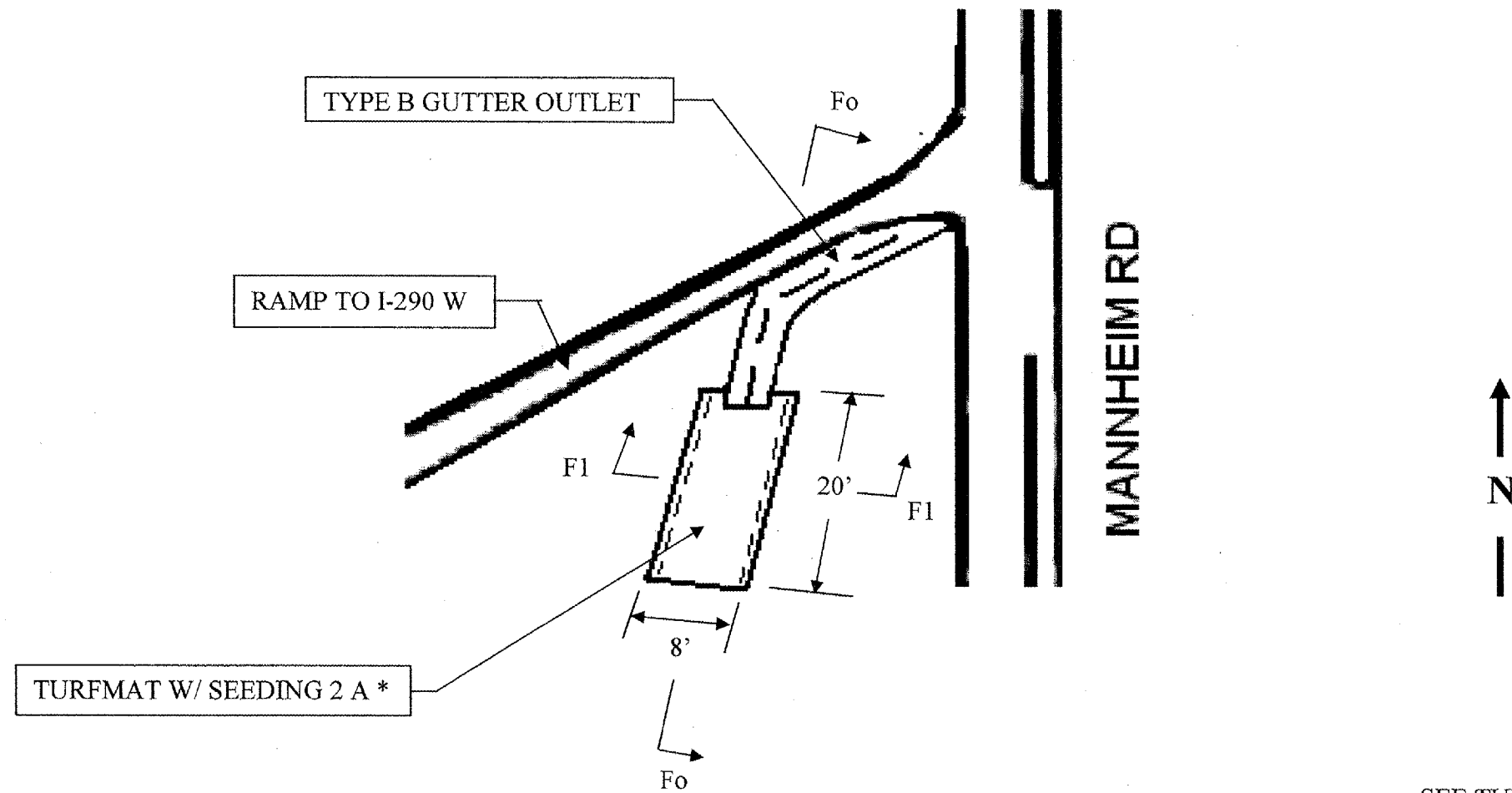


ROUTE	SECTION	COUNTY	TOTAL SHEETS	SHEET NUMBER
FAI 290 & FAP 339	2007-006I	COOK	23	11



SECTION F
PROPOSED PLAN VIEW

SEE SHEET 9 OF 11 FOR SECTION Fo-Fo
SEE SHEET 10 OF 11 FOR SECTION F1-F1

SEE TURFMAT INSTALLATION ON SHEET 6 OF 11

* FERTILIZER OMITTED INTENTIONALLY

ILLINOIS DEPARTMENT OF TRANSPORTATION

LOCATION 1
I-290 AT US 12/20/45
AREA F