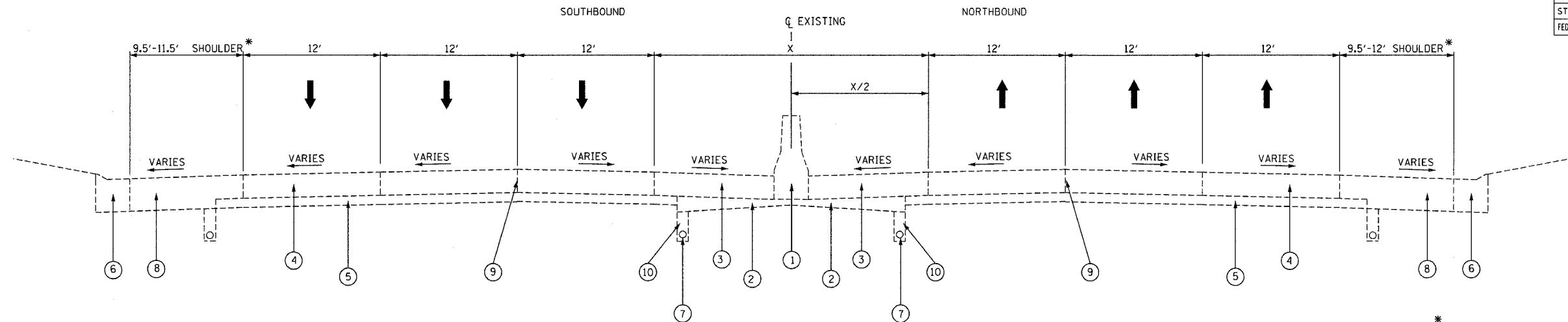


F.A.I. RTE.	SECTION	COUNTY	TOTAL SHEETS	SHEET NO.
94	2003-071 RS	COOK	91	9
STA. 83+05.24 S		TO STA. 62+40 S		
FED. ROAD DIST. NO. 1 ILLINOIS FED. AID PROJECT				

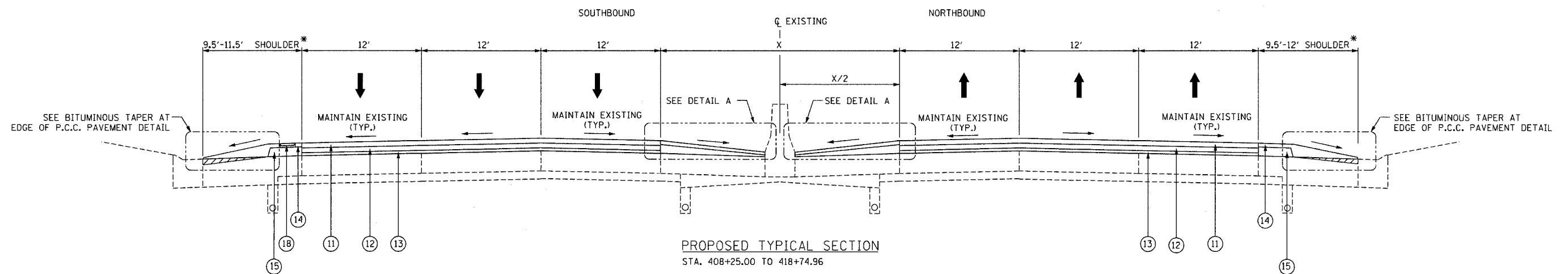


EXISTING TYPICAL SECTION  
STA. 408+25.00 TO 418+74.96

MEDIAN WIDTHS	
LOCATION	X
26+67 TO 297+22.87	25'
297+22.87 TO 315+01.29	25' TO 18'
26+67 TO 297+22.87	18'

\* UNDERPASS SHOULDER WIDTHS NOT INCLUDED

UNDERPASS SHOULDER WIDTHS		
LOCATION	WIDTH	
	NB	SB
WINNETKA RD	7.5'	8.5'



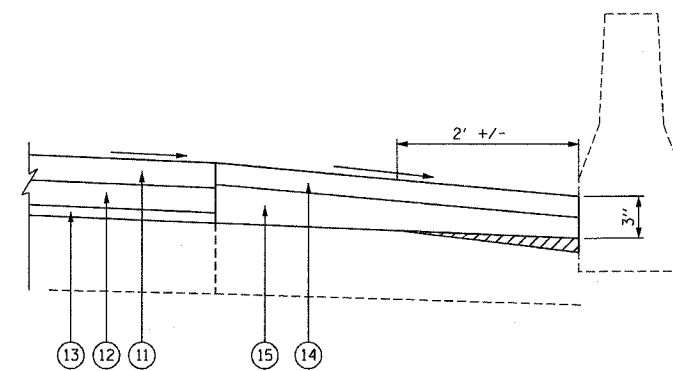
PROPOSED TYPICAL SECTION  
STA. 408+25.00 TO 418+74.96

EXISTING LEGEND:

- ① EXISTING CONCRETE BARRIER
- ② EXISTING GRANULAR SUB-BASE
- ③ EXISTING BITUMINOUS SHOULDERS
- ④ EXISTING P.C.C. PAVEMENT, 10"
- ⑤ EXISTING SUB-BASE
- ⑥ EXISTING CONC. GUTTER TYPE-E OR COMB. CONC. C. & G. TY. M-6.24
- ⑦ EXISTING PIPE UNDERDRAIN
- ⑧ EXISTING BITUMINOUS SHOULDER, 13"
- ⑨ LONGITUDINAL JOINT
- ⑩ BACKFILL FOR UNDERDRAIN

PROPOSED LEGEND:

- ⑪ POLYMERIZED HOT-MIX ASPHALT SURFACE COURSE, STONE MATRIX ASPHALT, N80, 1-3/4"
- ⑫ POLYMERIZED HOT-MIX ASPHALT BINDER COURSE, STONE MATRIX ASPHALT, N80, 1-3/4"
- ⑬ POLYMERIZED LEVELING BINDER (MACHINE METHOD), IL-4.75, N50, 3/4"
- ⑭ HOT-MIX ASPHALT SURFACE COURSE, MIX "D", N70, 1-3/4"
- ⑮ HOT-MIX ASPHALT BINDER COURSE, IL-17, N70, VARIES 2-1/4" TO 2-3/4"
- ⑯ PROPOSED BARRIER WALL REFLECTORS, TYPE A
- ⑰ PROPOSED AGGREGATE SHOULDER, TYPE B
- ⑱ PROPOSED RUMBLE STRIPS



DETAIL A  
N.T.S.

REVISIONS	
NAME	DATE

ILLINOIS DEPARTMENT OF TRANSPORTATION  
EXISTING AND PROPOSED  
TYPICAL SECTIONS  
F.A.I. 94 (I-94)

SCALE: N.T.S.  
DATE: MAY 2007

DRAWN BY JW  
CHECKED BY

PLOT DATE = 5/22/2007  
FILE NAME = #FILE#  
PLOT SCALE = #SCALE#  
USER NAME = #USER#