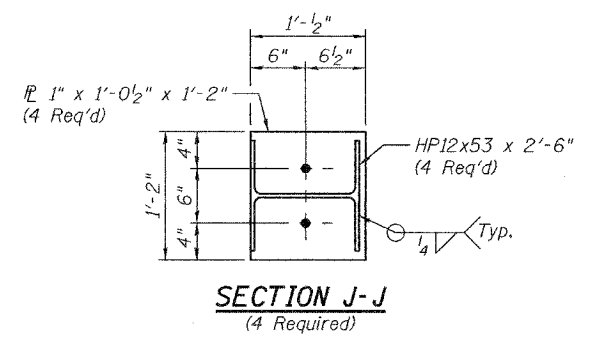
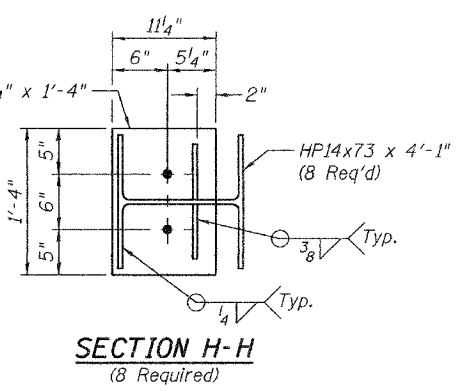
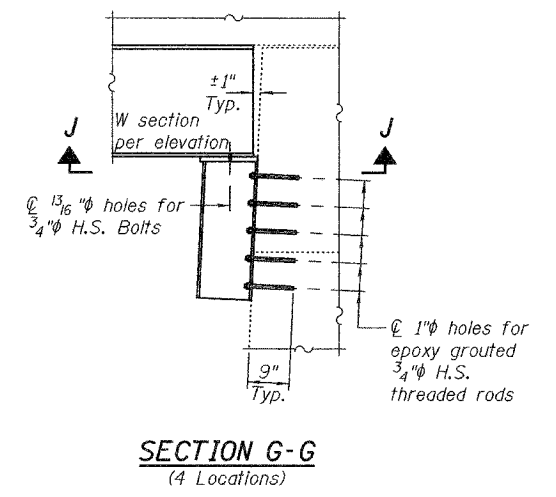
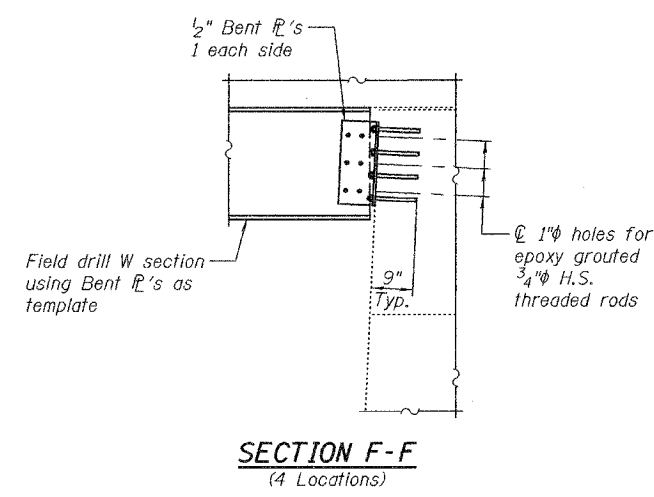
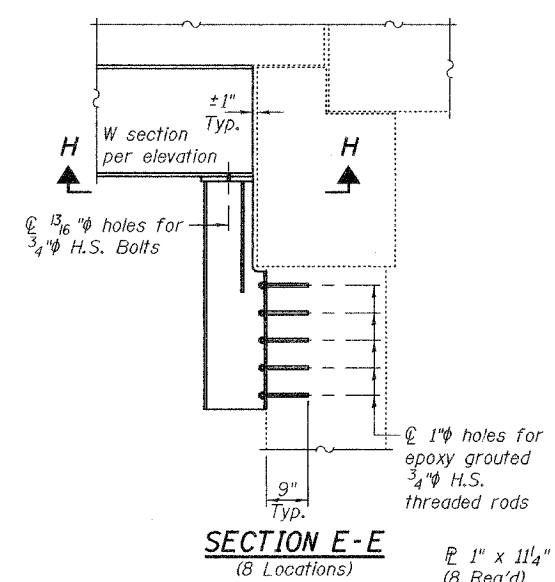
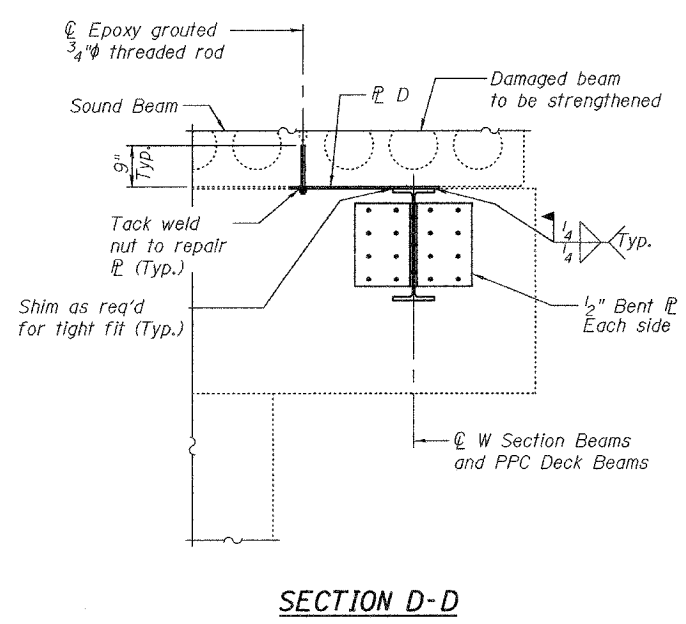
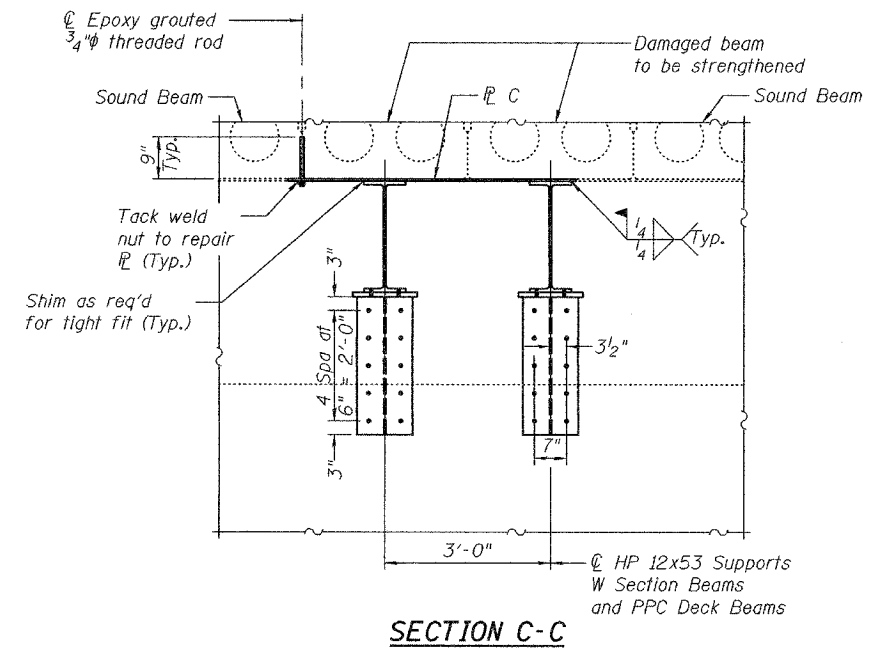
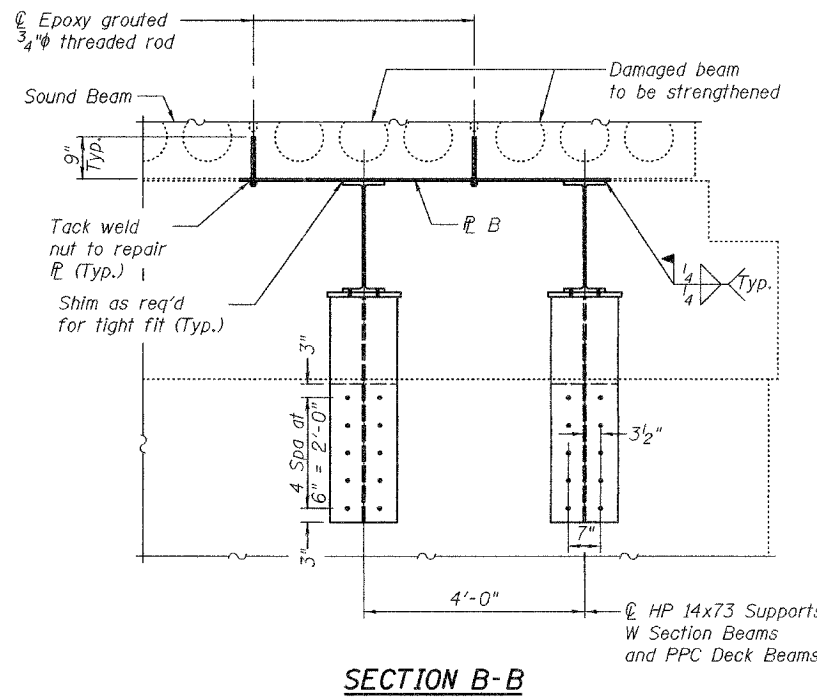
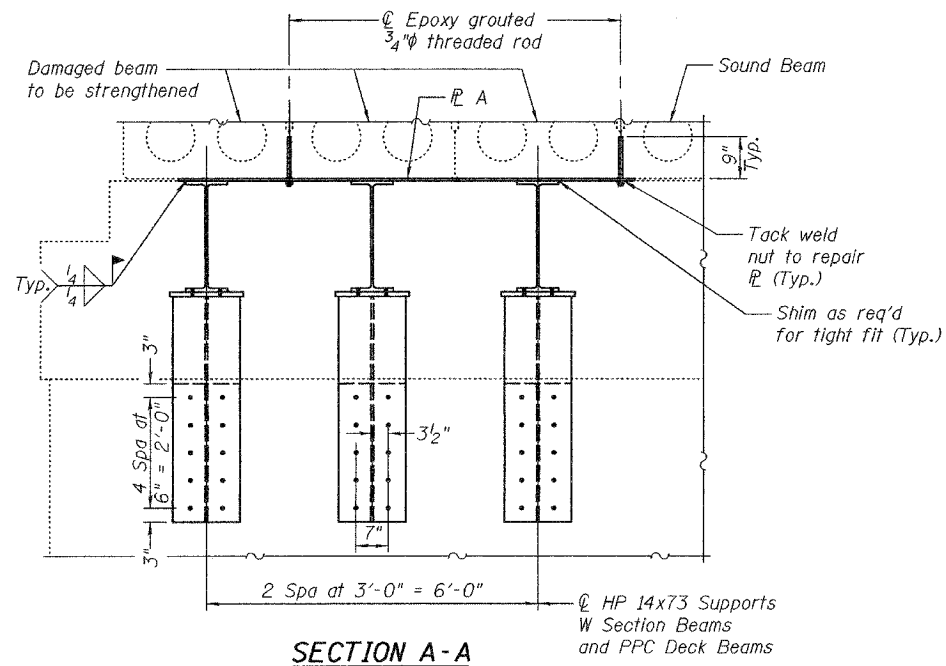


STATE OF ILLINOIS  
DEPARTMENT OF TRANSPORTATION

ROUTE NO.	SECTION	COUNTY	LENG. SHEETS	SHEET NO.	SHEET NO. 2 2 SHEETS
316	Δ	Lee	28	6	
FED. ROAD DIST. NO. 7	ILLINOIS	FED. AID PROJECT	Contract Number: 64B28		



DESIGNED	V.H.V.
CHECKED	A.J.B.
DRAWN	Drew Christopher
CHECKED	V.H.V. A.J.B.

June 21, 2007  
EXAMINED *Carl Hoover*  
REPAIR PLANS UNIT CHIEF  
PASSED *Ralph E. Anderson*  
ENGINEER OF BRIDGES AND STRUCTURES

REPAIR DETAILS  
F.A.P. RT. 316  
LEE COUNTY  
SN 052-0026