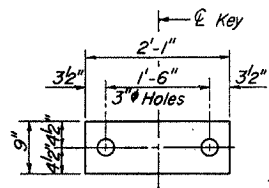


STATE OF ILLINOIS
DEPARTMENT OF TRANSPORTATION

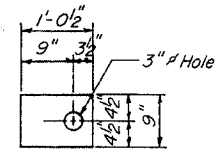
FOR INFORMATIONAL
PURPOSES ONLY

ROUTE NO.	SEC.	COUNTY	TOTAL SHEETS
316	1	LEE	28
PROJECT NO.	SECTION	SHEET NO.	
		13	

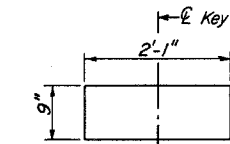
SHEET NO. 2
13 SHEETS



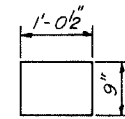
FABRIC BEARING PAD
(Interior)
(36" Beams)



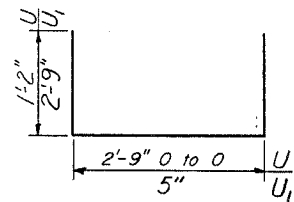
FABRIC BEARING PAD
(Exterior)
(36" Beams)



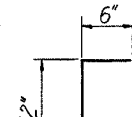
GRAPHITED ASBESTOS BEARING PAD
(Interior)
(36" Beams)



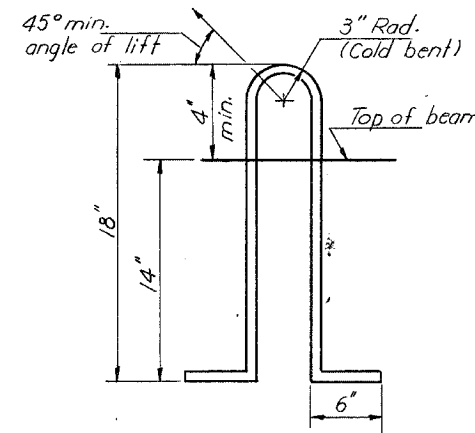
GRAPHITED ASBESTOS BEARING PAD
(Exterior)
(36" Beams)



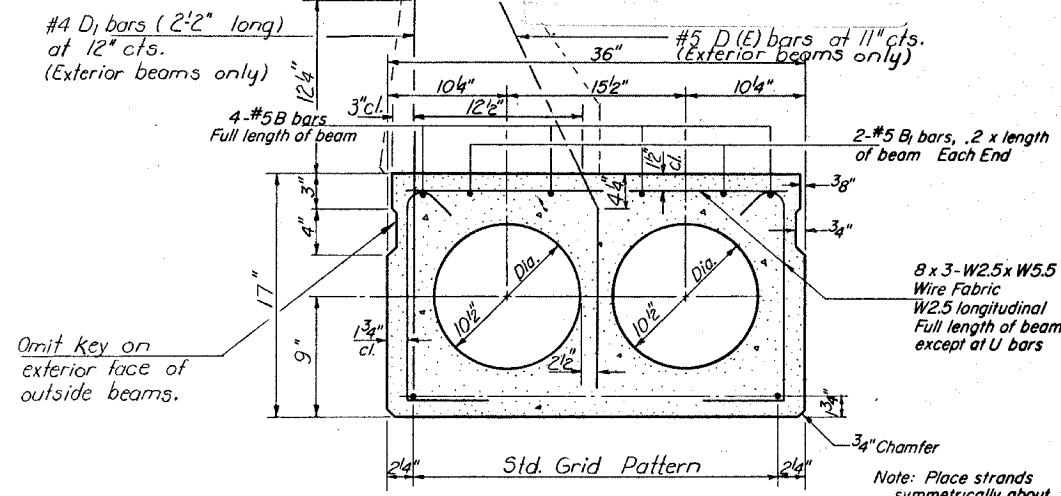
U & U₁ BARS



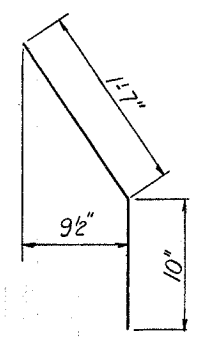
D₂ BAR



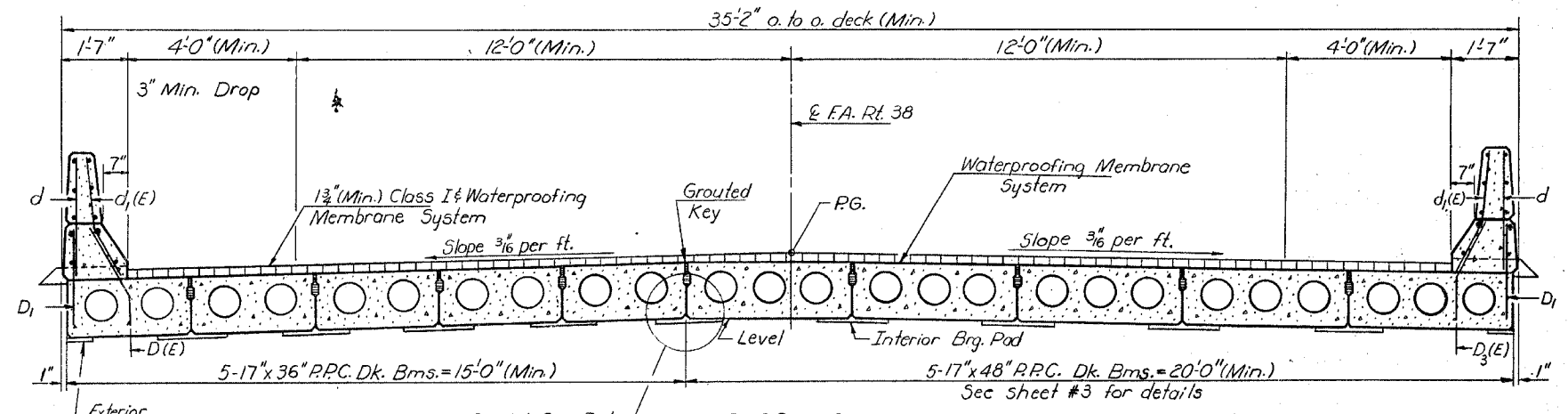
DETAIL OF LIFTING LOOP
FOR 270 KSI STRANDS



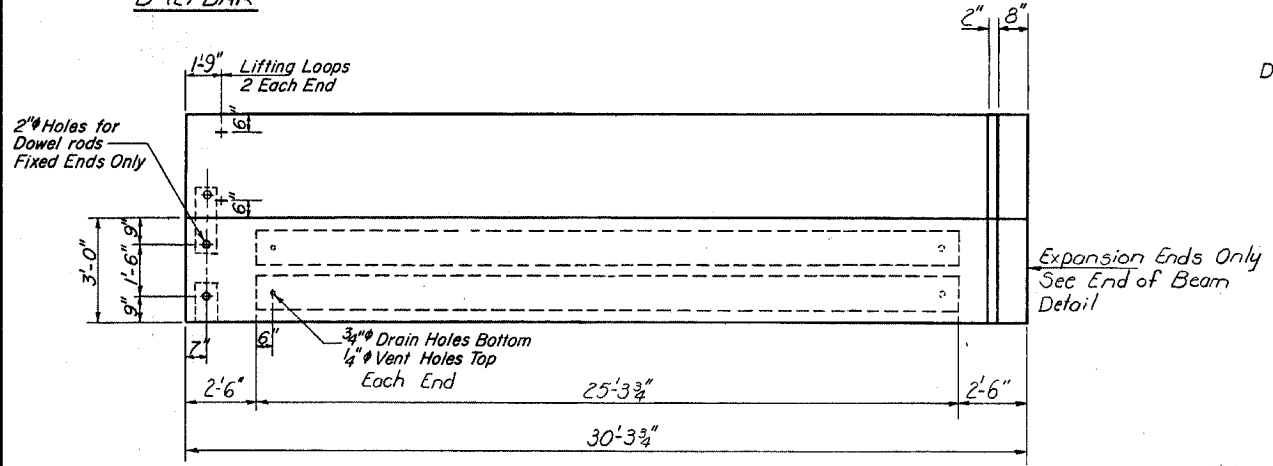
TYPICAL SECTION
6-1/2" Strands, Each Strand Stressed to 28,900 Lbs.
6-Strands 1 3/4" up



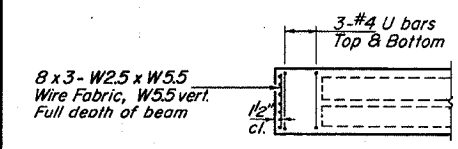
D (E) BAR



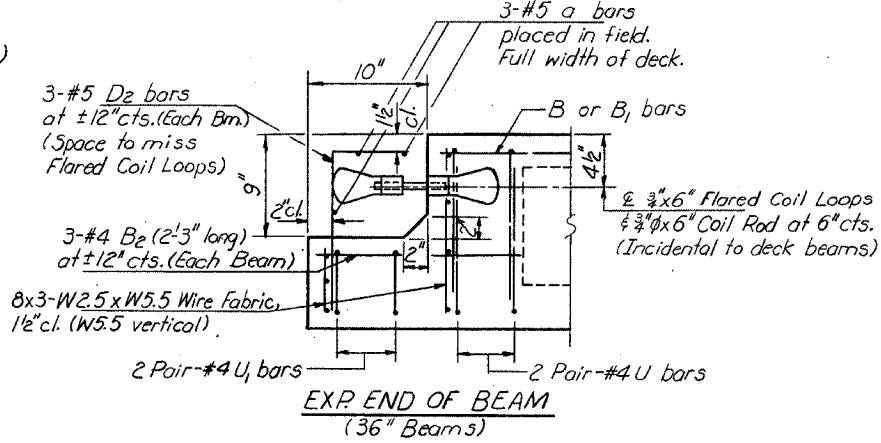
CROSS SECTION
(Looking South)



PLAN
(36" Beams)



FIXED END PLAN
(36" Beams)



EXP. END OF BEAM
(36" Beams)

NOTES

Prestressing steel shall be non-galvanized high strength, stress-relieved 7-wire strand, Grade 270. The nominal diameter shall be 1/2" and the nominal cross-sectional area shall be 0.153 sq. in. Lifting loops shall be 1/2" diameter, 6x25 class wire rope with fiber core and shall have a minimum ultimate tensile strength of 21,000 lbs. or 2-1/2" #270 ksi strands as shown.

Reinforcement bars shall conform to AASHTO: M-31 or M-53, Grade 60. The bearing seat surfaces shall be adjusted by shimming to assure firm and even bearing. Two 1/8" fabric adjusting shims of the dimensions of the Exterior Bearing Pad shall be provided for each bearing. For Sec. Thru Parapet and Drain Detail see sheet #3. Reinforcement bars for expansion pocket and parapets and Class X Concrete are billed on sheet #8. For Detail of D₃(E) bar see sheet #3.

BILL OF MATERIAL

Item	Unit	Total
* Precast Prestressed Concrete Deck Beams (17" Depth)	Sq. Ft.	909

* For 36" Beams.
See sheet #3 for Bill of Material for 48" bms.

DESIGNED <i>[Signature]</i>	EXAMINED <i>[Signature]</i>
CHECKED <i>M. Ryan</i>	PASSED <i>[Signature]</i>
DRAWN <i>R. Doty</i>	APPROVED <i>[Signature]</i>
CHECKED <i>MR</i>	DIRECTOR OF HIGHWAYS

SUPERSTRUCTURE
SPANS 1 & 3
F.A. RT. 38 SEC. 102 BR-1
LEE COUNTY
STA. 598+65.00