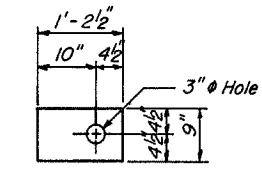
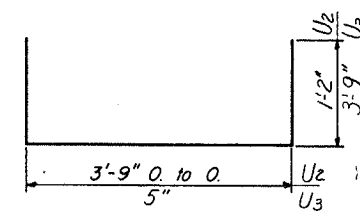


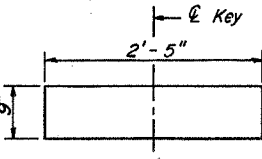
**FABRIC BEARING PAD**  
 (Interior)  
 (48" Beams)



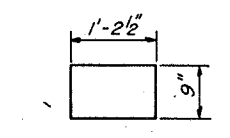
**FABRIC BEARING PAD**  
 (Exterior)  
 (48" Beams)



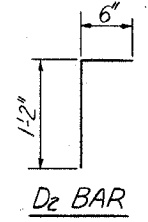
**U<sub>2</sub> & U<sub>3</sub> BARS**



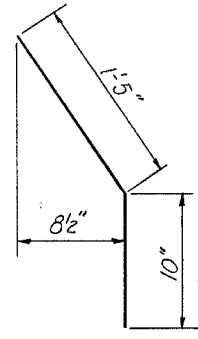
**GRAPHITED ASBESTOS BEARING PAD**  
 (Interior)  
 (48" Beams)



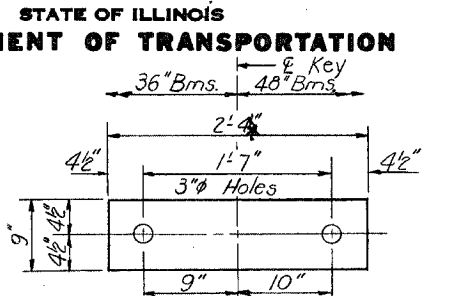
**GRAPHITED ASBESTOS BEARING PAD**  
 (Exterior)  
 (48" Beams)



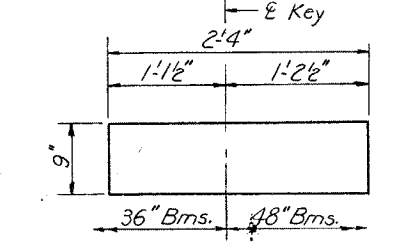
**D<sub>2</sub> BAR**



**D<sub>3</sub> (E) BAR**



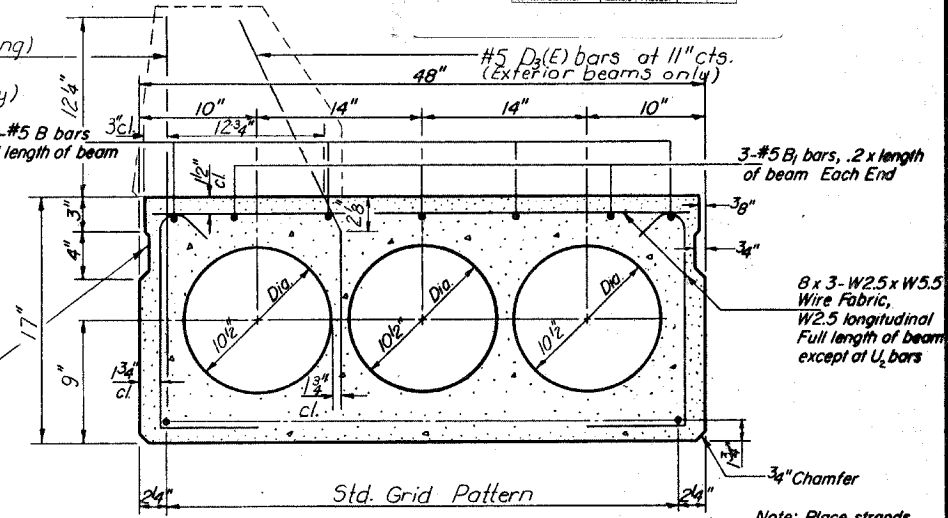
**SPECIAL FABRIC BEARING PAD**



**SPECIAL GRAPHITED ASBESTOS BEARING PAD**

#4 D<sub>1</sub> bars (2'-2" long) at 12" cts. (Exterior beams only)

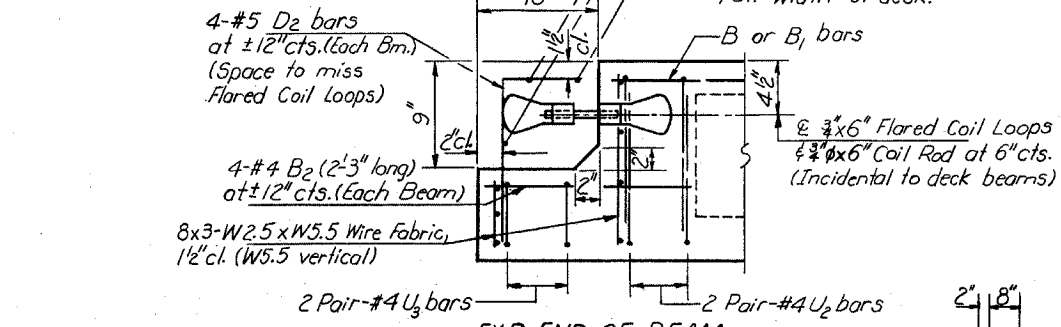
Omit key on exterior face of outside beams.



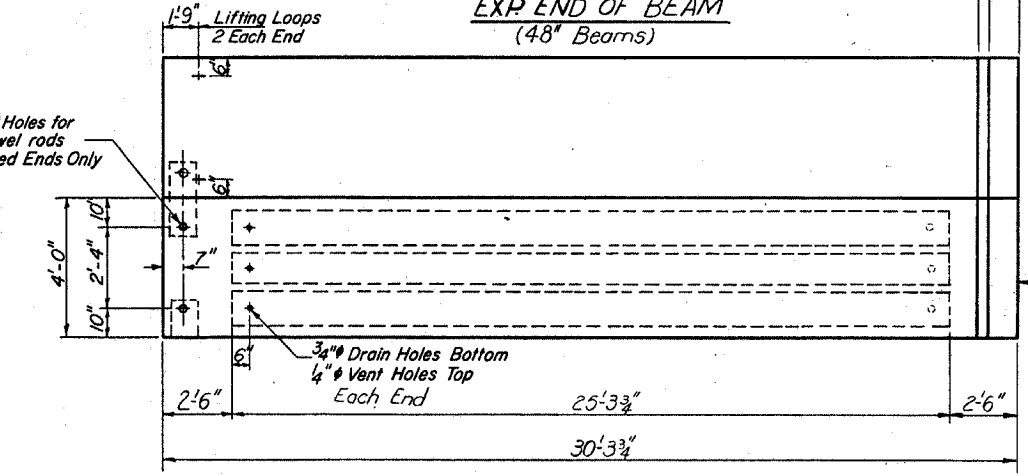
**TYPICAL SECTION**

8 1/2" # Strands, Each Strand Stressed to 28,900 Lbs.  
 8-Strands 1 3/4" up

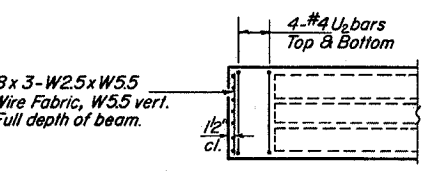
Note: Place strands symmetrically about center of beam. Place to miss dowel rods.



**EXP END OF BEAM**  
 (48" Beams)



**PLAN**  
 (48" Beams)

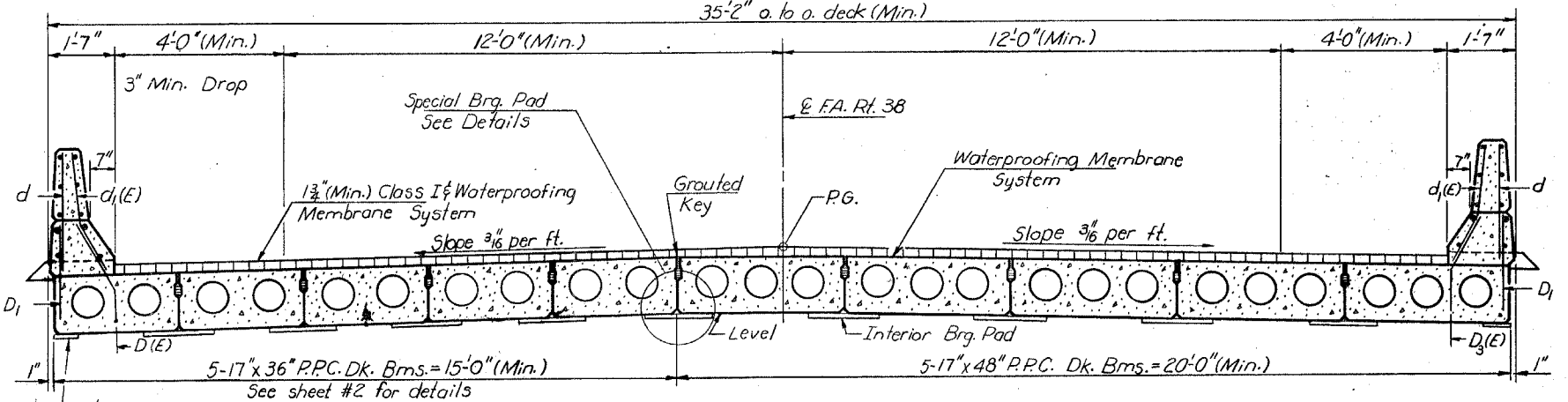


**FIXED END PLAN**  
 (48" Beams)

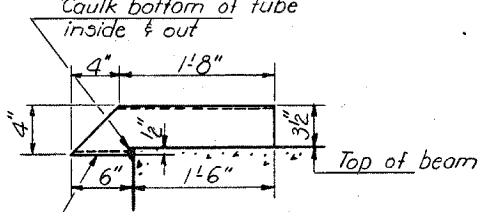
DESIGNED <i>R. Doty</i>	EXAMINED <i>[Signature]</i>
CHECKED <i>M. Ryan</i>	PASSED
DRAWN <i>R. Doty</i>	APPROVED <i>[Signature]</i>
CHECKED <i>MR</i>	DIRECTOR OF HIGHWAYS

DESIGNED <i>[Signature]</i>	EXAMINED <i>[Signature]</i>
CHECKED <i>[Signature]</i>	PASSED
DRAWN <i>[Signature]</i>	APPROVED <i>[Signature]</i>
CHECKED <i>[Signature]</i>	DIRECTOR OF HIGHWAYS

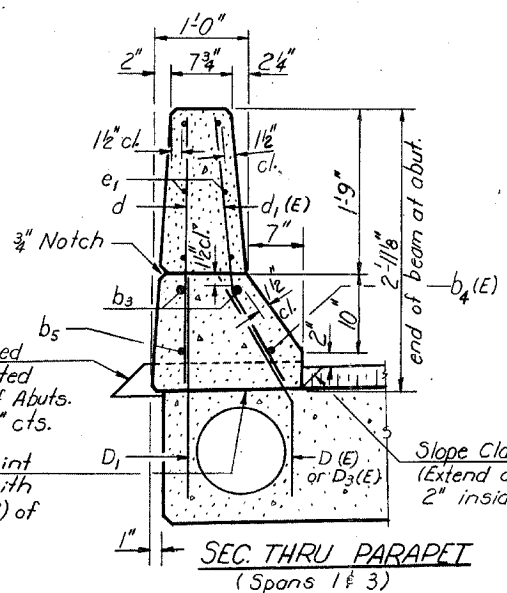
PD-4-S 6-15-80



**CROSS SECTION**  
 (Looking South)



**DRAIN DETAIL**  
 (Cost Incidental)



**SEC THRU PARAPET**  
 (Spans 1 & 3)

4" x 8" x 3/16" Galvanized Drain Tubes located 10'-0" from Bk. of Abuts. & spaced @ 15'-0" cts.  
 Bonded Const. Joint in accordance with Article 504.13 (a) (2) of the Std. Specs.

**NOTES**

- Prestressing steel shall be non-galvanized high strength, stress-relieved 7-wire strand, Grade 270. The nominal diameter shall be 1/2" and the nominal cross-sectional area shall be 0.153 sq. in. Lifting loops shall be 1/2" diameter, 6 x 25 class wire rope with fiber core and shall have a minimum ultimate tensile strength of 21,000 lbs or 2-1/2" # 270 ksi strands as shown on sheet #2.
- Reinforcement bars shall conform to AASHTO-M-31 or M-53, Grade 60. The bearing seat surfaces shall be adjusted by shimming to assure firm and even bearing. Two 1/8" fabric adjusting shims of the dimensions of the Exterior Bearing Pad shall be provided for each bearing.
- Reinforcement bars for expansion pocket and parapets and Class X concrete are billed on sheet #8. For Detail of D (E) bar see sheet #2.

**BILL OF MATERIAL**

Item	Unit	Total
* Precast Prestressed Concrete Deck Beams (17" Depth)	Sq. Ft.	12/3

\* For 48" Beams. See sheet #2 for Bill of Material for 36" bms.

**SUPERSTRUCTURE**  
 SPANS 1 & 3  
 F.A. RT. 38 SEC. 102BR-1  
 LEE COUNTY  
 STA. 598+65.00